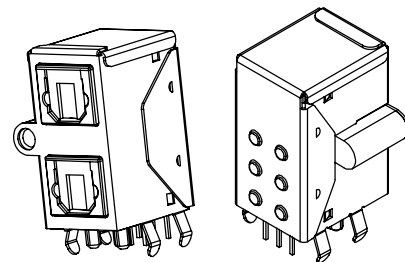
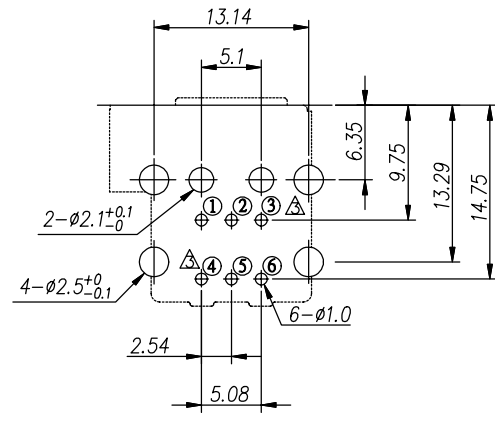


HISTORY X COUNT	DATE (YYYY.MM.DD)	ECN NO.	REV.	REVISION	SIGN.
△ X2	2006.07.04	NO67004	1.2	Modify table	劉銘宗
△ X2	2007.05.03	NO75002	1.3	Layout balloon no. change	劉銘宗
△ X1	2007.07.30	NO77040	1.4	Add new product 0813D*003	劉銘宗

D-045

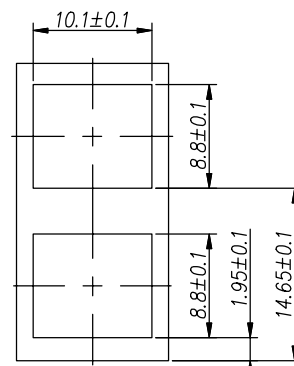


3D VIEW  
(Reference)

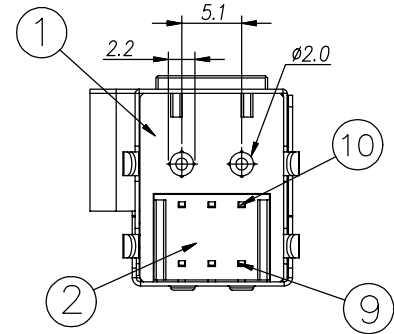
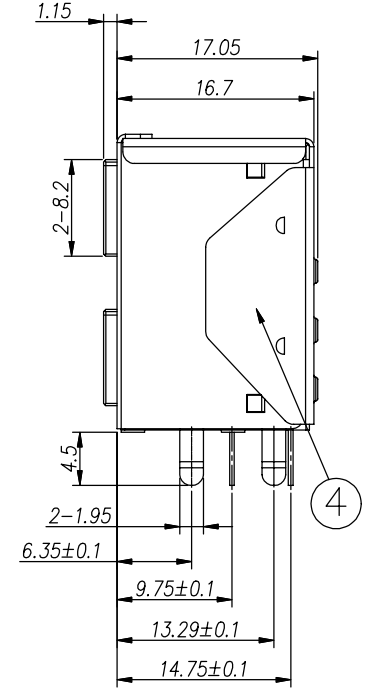
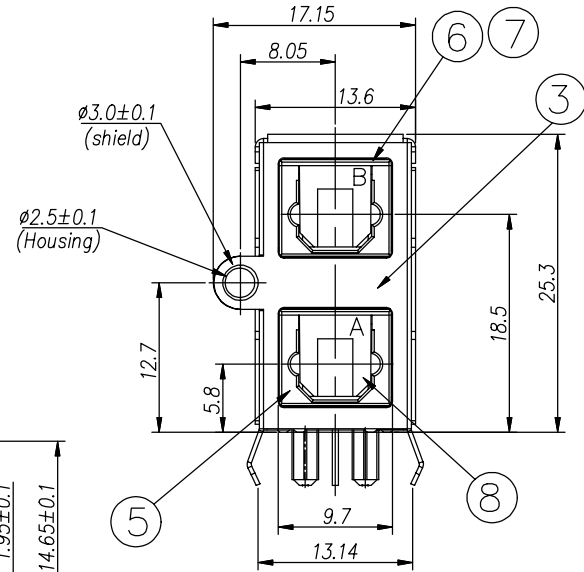


TOL:±0.1

BOTTOM VIEW



Panel Layout  
(Reference)



△ 4	B	Transmitter	BLACK	L=24.1	
3	A	Receiver	BLACK	L=8.85	
2					
1					
NO.	PRODUCT NO.	NO.	I.C.	COVER COLOR	REMARK

NO.	PART NAME	Q'TY	PART NO.	MATERIAL	PLATED/COLOR	REMARK
10	IC	1				See Table
9	IC	1				See Table
8	COVER	2		NYLON	See Table	
7	SPRING	1		SWPA	BLACK	φ=0.25
6	TOP COVER	2		NYLON	BLACK	
5	INNER CYLINDER	2		NYLON	BLACK	
4	BACK COVER-2	1		C2680R-H	BRIGHT Sn: 3~4μm	t=0.35
3	FRONT COVER-1	1		C2680R-H	BRIGHT Sn: 3~4μm	t=0.35
2	BACK COVER	1		P.B.T	BLACK	
1	BODY	1		P.B.T	BLACK	

Receiver		Transmitter	
Vcc	①	Vin	④
GND	②	Vcc	⑤
Vout	③	GND	⑥

NOTICE	PLATED/COLOR	ANGLE TOL.	SCALE	SPECIFICATION	SIZE
	See Table	±2°	2 : 1		
	THICKNESS	TOLERANCE	UNIT		
	----	±0.3	mm		
MATERIAL	ANGLE	ORIGINAL DATE	PART NAME	OPTICAL CONNECTOR (Receiver & Transmitter)	REV. 1.4
See Table	3rd	2005.08.18			
DESIGNED	DRAWN	CHECKED	APPROVED	PART NUMBER	SHEET
	劉銘宗	游大成	游大成	FC6842135TR	1/1
	2007.7.30	2007.7.30	2007.7.30		