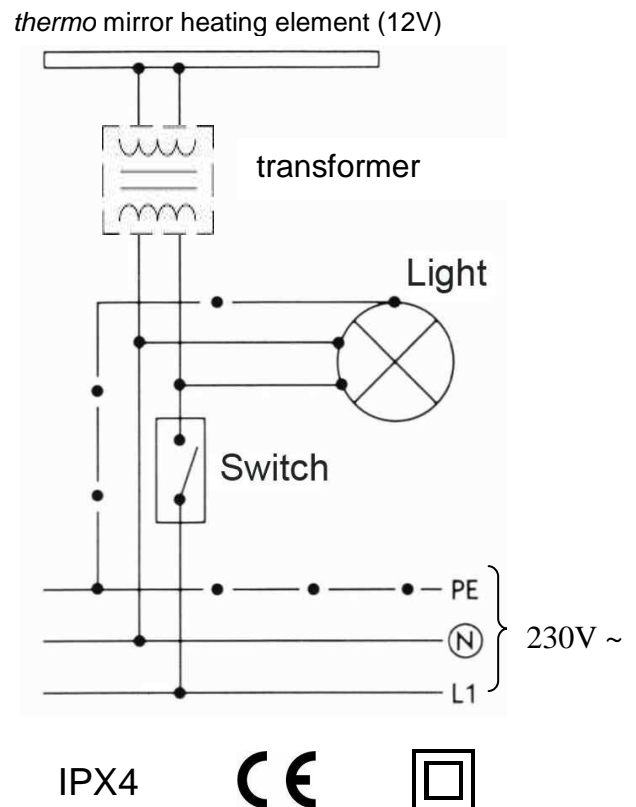


Installation Instructions

thermo mirror heating elements

- The mirror heating element and the transformer has to be installed by an authorised electrician, with the DIN VDE 0100 taken into account.
- You must not bend, fold, cut, puncture or perforate the mirror heating element.
- The back side of the mirror has to be free of grease and dust.
- The protective film covering the adherend has to be removed from the back of the mirror heating element.
- The mirror heating element has to be attached onto the clean back side of the mirror without blisters.
- Recommendation: connect the transformer for the mirror heating element to the light source of the mirror.
- Assemble the mirror into the mirror support



Warning: If damage occurs to the connection cable, the transformer or to the mirror heating element, the device (transformer, mirror heating element) has to be disconnected and disposed of.

Note: It is not possible to carry out repairs, as the heating element has been welded and the supply cable sealed.