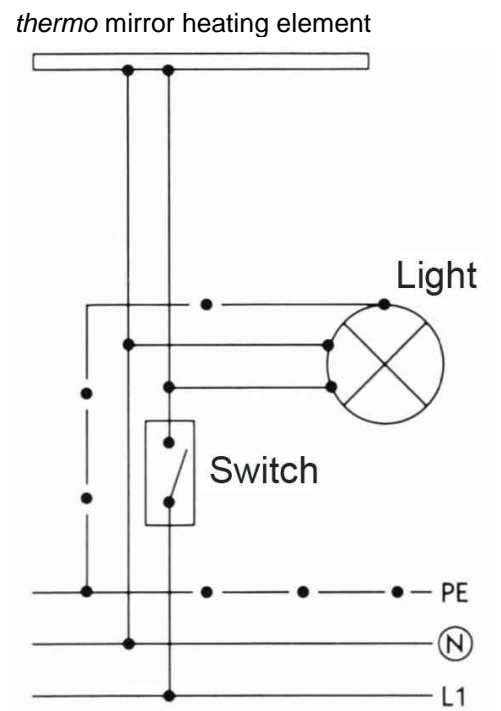


Installation Instructions

thermo mirror heating elements

Model SX214XXX

- The mirror heating element has to be installed by an authorised electrician, with the DIN VDE 0100 taken into account.
- When used in bathrooms, the mirror heating element has to be connected to an ELCB (Earth Leakage Circuit Breaker) with a release current of 30 mA.
- You must not bend, fold, cut, puncture or perforate the mirror heating element.
- The back side of the mirror has to be free of grease and dust.
- The protective film covering the adherend has to be removed from the back of the mirror heating element.
- The mirror heating element has to be attached onto the clean back side of the mirror without blisters.
- Recommendation: connect the mirror heating element to the light source of the mirror.
- Assemble the mirror into the mirror support



IPX4



Warning notice according to EN 60335-1:2008

This device (mirror heating element) is not intended to be used by persons (including children) with limited physical, sensory or mental ability or lack of experience and/or knowledge, unless supervised by an apt person responsible for their safety, or unless they have received instructions as to how the device is used. Children have to be supervised to ensure that they do not play with the device (mirror heating element).

Warning: If damage occurs to the connection cable or to the mirror heating element, the device (mirror heating element) has to be disconnected and disposed of.

Note: It is not possible to carry out repairs, as the heating element has been welded and the supply cable sealed.