

# Electronic Relays and Actuators: Multi and Single Function



Call and reset switches for bathrooms



Bathroom lighting control



Bedroom light control



Living room light control



Office lighting control



Remote climate control



13  
SERIES



**13.81 - Quiet electronic step relay - Rail mount - 1 Pole**

**13.91 - Quiet electronic step relay and timing step relay Switch box mount - 1 Pole**

- Fixed time (10 minutes) timing function selectable (13.91)
- Use with 3 or 4 wire connection, with automatic recognition by the relay
- Control input can be continuously applied
- Longer mechanical and electrical life, and much quieter than electromechanical step relays
- "Zero crossing" load switching
- Can be mounted behind blanking plates, as widely used in residential wiring systems such as; BTicino: Axolute, Matix, Living and Magic, Gewiss: GW24, Vimar: Plana and Idea ... (13.91)
- 35 mm rail (EN 60715) mount (13.81)
- Cadmium free contact material

13.81/91

Screw terminals



For outline drawing see page 19, 20

**Contact specification**

Contact configuration		1 NO (SPST-NO)	1 NO (SPST-NO)
Rated current/Maximum peak current	A	16/30 (120 - 5 ms)	10/20 (80 - 5 ms)
Rated voltage/ Maximum switching voltage	V AC	230/—	230/—
Rated load AC1	VA	3700	2300
Rated load AC15 (230 V AC)	VA	750	450
Nominal lamp rating:			
230 V incandescent/halogen W		3000	1000
fluorescent tubes with electronic ballast W		1500	500
fluorescent tubes with electromagnetic ballast W		1000	350
CFL W		600	300
230 V LED W		600	300
LV halogen or LED with electronic ballast W		600	300
LV halogen or LED with electromagnetic ballast W		1500	500
Minimum switching load	mW (V/mA)	1000 (10/10)	1000 (10/10)
Standard contact material		AgSnO <sub>2</sub>	AgSnO <sub>2</sub>

**Supply specification**

Nominal voltage (U <sub>N</sub> )	V AC (50/60 Hz)	230	230
	V DC	—	—
Rated power	VA (50 Hz)/W	3/1.2	2/1
Operating range	AC (50 Hz)	(0.8...1.1)U <sub>N</sub>	(0.8...1.1)U <sub>N</sub>
	DC	—	—

**Technical data**

Electrical life at rated load in AC1	cycles	100 · 10 <sup>3</sup>	100 · 10 <sup>3</sup>
Maximum impulse duration		continuous	continuous
Dielectric strength between:			
open contacts V AC		1000	1000
supply - contacts V AC		—	—
Ambient temperature range	°C	-10...+60	-10...+50
Protection category		IP 20	IP 20

**Approvals** (according to type)



**13.81**



- 1 NO (SPST-NO)
- 35 mm rail (EN 60715) mount
- 17.5 mm wide

**13.91**



- 1 NO (SPST-NO)
- Step relay and timing step relay (10 minutes)
- For mounting within residential switch boxes

**13.01 - Electronic step  
Bistable or monostable relay**

**13.61 - Electronic step  
Multifunction step relay  
Reset feature (13.61.8.230.0000)  
Set and Reset feature (13.61.0.024.0000)**

- Control input can be continuously applied
- Longer mechanical and electrical life, and much quieter than electromechanical step relays
- 35 mm rail (EN 60715) mount
- Cadmium free contact material
- Selectable Step or Monostable operation (13.01)
- Suitable for SELV applications and available also for supply 12 and 24 V AC/DC (13.01)
- Multifunction: Step, Timing step, Monostable, Light ON (13.61)
- 12...24 V AC/DC and 110...240 V AC supply versions (13.61)
- Reset feature, for centralized off command (13.61.8.230.0000)
- Set feature, for centralized on command
- Reset feature, for centralized off command (13.61.0.024.0000)
- "Zero-crossing" load switching (13.61)

13.01/61

Screw terminals



\* With DC Bistable function: (12...13.2)V DC

For outline drawing see page 19

**Contact specification**

Contact configuration		1 CO (SPDT)	1 CO (SPDT)	1 NO (SPST-NO)
Rated current/Maximum peak current	A	16/30 (120 A - 5 ms)	16/30 (120 A - 5 ms)	16/30 (120 A - 5 ms)
Rated voltage/ Maximum switching voltage	V AC	250/400	250/400	250/400
Rated load AC1	VA	4000	4000	4000
Rated load AC15 (230 V AC)	VA	750	750	750
Nominal lamp rating:				
230 V incandescent/halogen W		2000	2000	3000
fluorescent tubes with electronic ballast W		1000	1000	1500
fluorescent tubes with electromagnetic ballast W		750	750	1000
CFL W		400	400	600
230 V LED W		400	400	600
LV halogen or LED with electronic ballast W		400	400	600
LV halogen or LED with electromagnetic ballast W		800	800	1500
Minimum switching load	mW (V/mA)	1000 (10/10)	1000 (10/10)	1000 (10/10)
Standard contact material		AgSnO <sub>2</sub>	AgSnO <sub>2</sub>	AgSnO <sub>2</sub>

**Supply specification**

Nominal voltage (U <sub>N</sub> )	V AC (50/60 Hz)	110...125	230...240	—	110...240
	V DC/AC (50/60 Hz)	12	24	12...24	—
Rated power AC/DC	VA (50/60 Hz)/W	2.5/2.5		1/0.5	3.2/1
Operating range	V AC (50/60 Hz)	90...130	184...253	—	90...264
	V DC/AC (50/60 Hz)	10.8*...13.2	20.6...33.6	10.2...26.4	—

**Technical data**

Electrical life at rated load in AC1	cycles	100 · 10 <sup>3</sup>	100 · 10 <sup>3</sup>	100 · 10 <sup>3</sup>
Maximum impulse duration		continuous	continuous	continuous
Dielectric strength between:	open contacts V AC	1000	1000	1000
	supply - contacts V AC	4000	2000	2000
Ambient temperature range	°C	-10...+60	-10...+60	-10...+60
Protection category		IP 20	IP 20	IP 20

**Approvals (according to type)**



- 1 CO (SPDT)
- Step or monostable relay
- According to EN 60601-1 2 x MOOP
- 35 mm rail (EN 60715) mount
- 35 mm wide



- 1 CO (SPDT)
- Reset feature, for centralized off command
- Set feature, for centralized on command
- Multifunction:
  - step relay
  - timing step relay (30s...20min)
  - monostable relay
  - light on
- 35 mm rail (EN 60715) mount
- 17.5 mm wide



- 1 NO (SPST-NO)
- Reset feature, for centralized off command
- Multifunction:
  - step relay
  - timing step relay (30s...20min)
  - monostable relay
  - light on
- 35 mm rail (EN 60715) mount
- 17.5 mm wide

**13.11 - Call & Reset Relay - Rail mount - 1 Pole**  
**13.12 - Call & Reset Relay - Rail mount - 2 Pole**  
**13.31 - Electromechanical monostable relay**  
**Switch box mount - 1 Pole**

- Call relay with reset command suitable for residential and commercial applications: public bathroom, hospital, hotel (type 13.11/13.12)
- Can be mounted behind blanking plates, as widely used in residential wiring systems such as; BTicino: Axolute, Matix, Living e Magic, Gewiss: GW24, Vimar: Plana e Idea ... (13.31)
- 35 mm rail (EN 60715) or flange mount (13.11 and 13.12)
- Cadmium free contact material

13.11/12/31  
Screw terminals



\* During impulse only.  
For outline drawing see page 19

**Contact specification**

	13.11	13.12	13.31
Contact configuration	1 CO (SPDT)	1 CO (SPDT) + 1 NO (SPST-NO)	1 NO (SPST-NO)
Rated current/Maximum peak current	A 12/30	8/15	12/20 (80 A - 5 ms)
Rated voltage/ Maximum switching voltage	V AC 250/400	250/400	250/400
Rated load AC1	VA 3000	2000	3000
Rated load AC15 (230 V AC)	VA 750	400	450
Nominal lamp rating:			
230 V incandescent/halogen W	—	—	800
fluorescent tubes with electronic ballast W	—	—	400
fluorescent tubes with electromagnetic ballast W	—	—	300
CFL W	—	—	200
230 V LED W	—	—	200
LV halogen or LED with electronic ballast W	—	—	200
LV halogen or LED with electromagnetic ballast W	—	—	400
Minimum switching load	mW (V/mA) 500 (5/5)	300 (5/5)	1000 (10/10)
Standard contact material	AgNi	AgNi	AgSnO <sub>2</sub>
<b>Supply specification</b>			
Nominal voltage (U <sub>N</sub> )	V AC (50/60 Hz) 230...240	12 - 24	12 - 230
	V DC —	12 - 24	24
Rated power AC/DC	VA (50 Hz)/W 1.7/0.7*	3/2.5*	1/0.4
Operating range	AC (50 Hz) (0.8...1.1)U <sub>N</sub>	(0.8...1.1)U <sub>N</sub>	(0.8...1.1)U <sub>N</sub>
	DC —	(0.8...1.1)U <sub>N</sub>	(0.8...1.1)U <sub>N</sub>
<b>Technical data</b>			
Electrical life at rated load in AC1	cycles 100 · 10 <sup>3</sup>	100 · 10 <sup>3</sup>	70 · 10 <sup>3</sup>
Maximum impulse duration	10 s (100 ms minimum)	10 s (100 ms minimum)	continuous
Dielectric strength between:	open contacts V AC 1000	1000	1000
	supply - contacts V AC 2000	2000	2000
Ambient temperature range	°C -10...+60	-10...+60	-10...+60
Protection category	IP 20	IP 20	IP 20

**Approvals** (according to type)



**Multi and Single function electronic relays with Bluetooth**

**13.22 - Electronic multifunction relay 2 Pole**

- Round wall box (ie: Ø 60 mm) mounting
- 21 available functions (step relays, timer, staircase timer) for lighting and fan motor control

**13.72 - Electronic multifunction relay 2 Pole**

- Wall mounting, compatible with most popular Italian residential switch boxes: AVE, BTicino, Gewiss, Simon-Urmet, Vimar
- 21 available functions: step relays, timing (1s - 24h), electric shutter, blind or curtain control

**13.S2 - Electronic roller shutter actuator**

- Round wall box (ie: Ø 60 mm) mounting
- For electric shutter, blind or curtain control
- 2 contacts NO 6 A - 230 V AC independent and programmable channels
- 2 inputs for wired pushbuttons (one input per channel)
- Transmission range: approximately 10 m in free space and without obstacles

13.22/S2/72  
Screw terminals



NOTE: with 110...125 V AC supply, the Ratings (AC1, AC15 and lamp loads) must be reduced by 50 % (e.g. 100 W instead of 200 W)

For outline drawing see page 20

**Contact specification**

Contact configuration		2 NO (DPST-NO)	2 NO (DPST-NO)	2 NO (DPST-NO)
Rated current/Maximum peak current	A	6/40	6/40	6/40
Rated voltage/Maximum switching voltage	V AC	230/—	230/—	230/—
Rated load AC1	VA	1380	1380	1380
Rated load AC15 (230 V AC)	VA	300	300	300
Single phase motor rating (230 V AC)	W	200	200	200
Nominal lamp rating 230V:				
incandescent/halogen W		200	200	—
fluorescent tubes with electronic ballast W		200	200	—
fluorescent tubes with electromagnetic ballast W		200	200	—
CFL W		200	200	—
LED 230 V W		200	200	—
LV halogen or LED with electronic ballast W		200	200	—
LV halogen or LED with electromagnetic ballast W		200	200	—

**Supply specification**

Nominal voltage (U <sub>N</sub> )	V AC (50/60 Hz)	110...230	110...230	110...230
	V DC	—	—	—
Rated power AC/DC	VA (50 Hz)/W	2 / 0.5	2 / 0.5	2 / 0.5
Operating range	AC (50 Hz)	(0.8...1.1)U <sub>N</sub>	(0.8...1.1)U <sub>N</sub>	(0.8...1.1)U <sub>N</sub>
	DC	—	—	—

**Technical data**

Electrical life at rated load in AC1	cycles	60 · 10 <sup>3</sup>	60 · 10 <sup>3</sup>	60 · 10 <sup>3</sup>
Maximum impulse duration		continuous	continuous	continuous
Dielectric strength between: open contacts	V AC	1000	1000	1000
Ambient temperature range	°C	-10...+50	-10...+50	-10...+50
Protection category		IP 20	IP 20	IP 20

**Approvals (according to type)**



**NEW 13.22**

YESLY



- Offering a variety of ON/OFF functions associated with lighting and fan motor control
- Transmission protocol Bluetooth Low Energy (BLE)
- Safe connection with 128-bit encryption
- App programming with iOS or Android Smartphone: Finder YOU
- Can be managed through standard pushbuttons, BEYON and Type 013.B9 wireless buttons

**NEW 13.72**

YESLY



- Offering a variety of ON/OFF functions associated with lighting, electric shutters, blinds or curtains
- Transmission protocol Bluetooth Low Energy (BLE)
- Safe connection with 128-bit encryption
- App programming with iOS or Android Smartphone: Finder YOU
- Can be managed through standard pushbuttons, BEYON and Type 013.B9 wireless buttons

**NEW 13.S2**

YESLY



- Suitable for electric shutters, blind or curtain control
- Transmission protocol Bluetooth Low Energy (BLE)
- Safe connection with 128-bit encryption
- App programming with iOS or Android Smartphone: Finder YOU
- Can be managed through standard pushbuttons, BEYON and Type 013.B9 wireless buttons

**Bluetooth single channel multifunction relay**

**NEW** 13.21.8.230.B000

**NEW** 13.21.8.230.S000

**Type 13.21.8.230.B000**

- BLE communication protocol
- Round wall box (ie: Ø 60 mm) mounting
- 12 available functions
- Up to 8 scenarios
- Pushbutton Phase or Neutral connection

**Radio frequency remote actuator for BLISS2**

**Type 13.21.8.230.S000**

- 868 MHz long-range radio frequency transmission
- Multi-zone heating/cooling function
- Hygrostat function combined with the BLISS2 thermostat
- Compatible with the BLISS2 smart thermostat

13.21

Screw terminals



YESLY



BLISS2



- 1 CO (SPDT) 16 A 250 V AC
- Bluetooth Low Energy (BLE) transmission protocol
- 128-bit encrypted connection
- Programmable via app Finder YOU compatible with iOS and Android operating systems
- It can be connected to wired buttons or to BEYON and 013B9 wireless buttons
- Recess mounting

- 1 CO (SPDT) 16 A 250 V AC
- Compatible with BLISS2 smart thermostat
- Heating/cooling systems - direct or solenoid control
- It can be used in dehumidification or forced ventilation systems

For outline drawing see page 16

**Contact specification**

		1 CO (SPDT)	1 CO (SPDT)
Contact configuration		1 CO (SPDT)	1 CO (SPDT)
Rated current	A	16	16
Rated voltage/ Maximum switching voltage	V AC	250	250
Rated load AC1	VA	3600	3600
Rated load AC15 (230 V AC)	VA	600	600
Single phase motor rating (230 V AC)	W	500	500
Nominal lamp rating 230V:			
	incandescent/halogen W	1000	—
	fluorescent tubes with electronic ballast W	500	—
	fluorescent tubes with electromagnetic ballast W	350	—
	CFL W	300	—
	LED 230 V W	200	—
	LV halogen or LED with electronic ballast W	200	—
	LV halogen or LED with electromagnetic ballast W	500	—

**Supply specification**

Nominal voltage (U <sub>N</sub> )	V AC (50/60 Hz)	110...230	110...230
	V DC	—	—
Rated power AC/DC	VA (50 Hz)/W	2.8 / 0.8	2.8 / 0.8
Operating range	AC (50 Hz)	(0.8...1.1)U <sub>N</sub>	(0.8...1.1)U <sub>N</sub>
	DC	—	—

**Technical data**

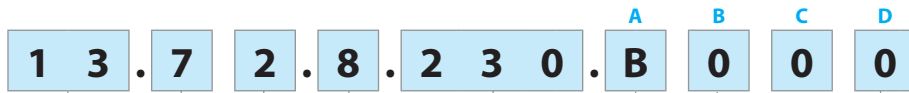
Electrical life at rated load in AC1	cycles	50 · 10 <sup>3</sup>	50 · 10 <sup>3</sup>
Maximum impulse duration		continuous	—
Dielectric strength between: open contacts	V AC	1000	1000
Ambient temperature range	°C	-10...+50	-10...+50
Protection category		IP 20	IP 20

**Approvals** (according to type)



### Ordering information

Example: Multifunction relay with YESLY Bluetooth, 2 contacts 6 A NO (SPST-NO), 110...230 V AC supply.



- Series**  
**Type**
- 0 = Step/Monostable, 35 mm rail (EN 60715) mount, 35 mm wide
  - 1 = Call & Reset relay, 35 mm rail (EN 60715) mount, 17.5 mm wide
  - 2 = Wall box mounting
  - 3 = Monostable relay, switch box mounting
  - 6 = Multifunction relay, 35 mm rail (EN 60715) mount, 17.5 mm wide
  - 7 = YESLY - Multifunction relay compatible with the most popular Italian wall switch systems: AVE, BTicino, Gewiss, Simon-Urmet, Vimar
  - 8 = Modular step relay, 35 mm rail (EN 60715) mount, 17.5 mm wide
  - 9 = Step relay and timing step relay, switch box mounting
  - S = YESLY - Shutter/blind/curtain actuator, wall box mounting
- No. of poles**
- 1 = 1 pole
  - 2 = 2 poles 6 A NO (SPST-NO) (type 13.72 and 13.22/S2)
  - 2 = 1 pole CO (SPDT) + 1 NO (SPST-NO)
- Supply version**
- 0 = AC (50/60 Hz)/DC
  - 8 = AC (50/60 Hz)
  - 9 = DC
- Supply voltage**
- 012 = 12 V AC/DC (13.01 and 13.12 only)
  - 012 = 12 V AC (13.31 only)
  - 024 = 24 V AC/DC (13.01 and 13.12 only)
  - 024 = 24 V DC (13.31 only)
  - 024 = 12...24 V AC/DC (13.61 only)
  - 125 = (110...125)V AC (13.01 only)
  - 230 = (230...240)V AC (13.01 and 13.11)
  - 230 = 110...240 V AC (13.61 only)
  - 230 = 230 V AC (13.31, 13.81 and 13.91)
  - 230 = 110...230 V AC (13.21, 13.22, 13.72, 13.52)

0 = Type 13.72 white  
2 = Type 13.72 anthracite gray

**A: Transmission protocol**  
(only for Type 13.21/22/S2/72)  
B = Bluetooth Low Energy (BLE)  
S = 868 MHz, compatible with BLISS2

**A: Contacts material**  
0 = Standard  
4 = Standard AgSnO<sub>2</sub> (only for 13.31)

**B: Contact circuit**  
0 = Standard  
3 = Standard NO (only for 13.31)

**Codes / Supply voltage**

- 13.01.0.012.0000 12 V AC/DC
- 13.01.0.024.0000 24 V AC/DC
- 13.01.8.125.0000 110...125 V AC
- 13.01.8.230.0000 230...240 V AC
- 13.11.8.230.0000 230...240 V AC
- 13.12.0.012.0000 12 V AC/DC
- 13.12.0.024.0000 24 V AC/DC
- 13.21.8.230.B000 110...230 V AC YESLY
- 13.21.8.230.S000 110...230 V AC BLISS2
- 13.22.8.230.B000 110...230 V AC YESLY
- 13.52.8.230.B000 110...230 V AC YESLY
- 13.31.8.012.4300 12 V AC
- 13.31.9.024.4300 24 V DC
- 13.31.8.230.4300 230 V AC
- 13.61.8.230.0000 110...240 V AC
- 13.61.0.024.0000 12...24 V AC/DC
- 13.72.8.230.B000 110...230 V AC YESLY BLE white
- 13.72.8.230.B002 110...230 V AC YESLY BLE anthracite gray
- 13.81.8.230.0000 230 V AC
- 13.91.8.230.0000 230 V AC

### Technical data

Insulation	13.01.8	13.01.0	13.11 - 13.12	13.31 - 13.61	13.81 - 13.91				
Dielectric strength									
between control circuit and supply V AC	4000	—	—	—	—	—	—	—	—
between control circuit and contacts V AC	4000	4000	—	—	—	—	—	—	—
between R-S-A2 and contacts V AC	—	—	2000	—	—	—	—	—	—
between supply and contacts V AC	4000	4000	—	2000	—	—	—	—	—
between open contacts V AC	1000	1000	1000	1000	1000	1000	1000	1000	1000
<b>Other data</b>	<b>13.01</b>		<b>13.11 - 13.12</b>	<b>13.31</b>	<b>13.61</b>	<b>13.81</b>	<b>13.91</b>	<b>13.21</b>	<b>13.22</b> <b>13.52</b> <b>13.72</b>
Power lost to the environment									
without contact current W	2.2	—	—	0.4	1	1.2	0.7	0.4	0.5
with rated current W	3.5	1.5	1.6	1.8	2	1.8	2.2	1.5	1.5
Max cable length for pushbutton connection m	100	100	—	200	200	100	100	100	100
Max. no. of illuminated pushbutton (≤1mA)	—	—	—	10*	15	12	—	5	5
<b>Terminals</b>	<b>13.01</b>		<b>13.11 - 13.12 - 13.31 - 13.61 - 13.72 - 13.81 - 13.91</b>			<b>13.21 - 13.22 - 13.52</b>			
Max. wire size	solid cable	stranded cable	solid cable	stranded cable	solid cable	stranded cable	solid cable	stranded cable	solid cable
mm <sup>2</sup>	1 x 6 / 2 x 4	1 x 6 / 2 x 2.5	1 x 6 / 2 x 4	1 x 4 / 2 x 2.5	1 x 2.5 / 2 x 1.5	1 x 2.5 / 2 x 1.5	1 x 2.5 / 2 x 1.5	1 x 2.5 / 2 x 1.5	1 x 2.5 / 2 x 1.5
AWG	1 x 10 / 2 x 12	1 x 10 / 2 x 14	1 x 10 / 2 x 12	1 x 12 / 2 x 14	1 x 14 / 2 x 16	1 x 14 / 2 x 16	1 x 14 / 2 x 16	1 x 14 / 2 x 16	1 x 14 / 2 x 16
Screw torque Nm	0.8		0.8			0.5			

\* For 8.230 version.



### Functions for types 13.01, 13.11, 13.12, 13.81, 13.91

Type	Functions	
13.01		<p><b>Monostable.</b> On closure of a switch between terminals (B2-B3) the output contact will close, and remain so, until the switch opens.</p>
		<p><b>Step relay (bistable).</b> After every impulse (B1-B2), the output contact changes state - alternately switching from open to closed and vice versa.</p>
13.11 13.12		<p><b>Call and Reset relay.</b> On momentary closure of the Set switch (S), the output contact closes. Only a momentary closure of the Reset switch (R) will open the output contact.</p>
13.81		<p><b>(RI) Step relay.</b> After every impulse, the output contact changes state - alternately switching from open to closed and vice versa.</p>
13.91		<p><b>(RI) Step relay.</b> After every impulse, the output contact changes state - alternately switching from open to closed and vice versa.</p>
		<p><b>(IT) Timing step relay.</b> On initial impulse the output contact closes and timing starts for the pre-set duration (fixed 10 min); On expiry of the time delay, the output contact opens. During the timing period it is possible to immediately open the contact with a further impulse.</p>

### Operating mode setup for type 13.91



- Remove the supply voltage
- Press the control button
- Apply the supply to the relay, keeping the button closed.  
After 3 second, the light will flash twice to indicate the selection of the "IT" function, or flash once for "RI" function.

Functions for type 13.61

Type	Functions
13.61.8.230	<p><b>(RM) Monostable.</b> On closure of a switch between terminal 3 and Line (or Neutral, in case of 3-wire connection) the output contact will close, and remain so, until the switch opens.</p>
	<p><b>(IT) Timing step relay.</b> On initial impulse the output contact closes and timing starts for the pre-set duration T; On expiry of the time delay, the output contact opens. During the timing period it is possible to immediately open the contact with a further impulse. Switch-off delay time: 30s...20min.</p>
	<p><b>(RI) Step relay.</b> After every impulse, the output contact changes state - alternately switching from open to closed and vice versa.</p>
	<p><b>Light ON.</b> With this function set - the output contact stays permanently closed.</p>
13.61.0.024	<p><b>(RM) Monostable.</b> On closure of a switch between terminal 3 and Line (or Neutral, in case of 3-wire connection) the output contact will close, and remain so, until the switch opens.</p>
	<p><b>(IT) Timing step relay.</b> On initial impulse the output contact closes and timing starts for the pre-set duration T; On expiry of the time delay, the output contact opens. During the timing period it is possible to immediately open the contact with a further impulse. Switch-off delay time: 30s...20min.</p>
	<p><b>(RI) Step relay.</b> After every impulse, the output contact changes state - alternately switching from open to closed and vice versa.</p>
	<p><b>Light ON.</b> With this function set - the output contact stays permanently closed.</p>

## Functions for type 13.22, 13.72 and 13.21.8.230.B000

### Relay settings

Multifunction electronic relays can be configured with the Finder YOU app, available for iOS or Android systems. This product is ready-to-use preset with the factory setting (RI) Step relay on both channels.

Type	Functions	
13.21-B000 13.22 13.72		<p><b>(RM) Monostable relay.</b> On closure of the switch the output will close, and remain so, until the switch opens.</p>
		<p><b>(RI) Step relay (pushbutton control).</b> After every impulse, the output contact changes state - alternately switching from open to closed and vice versa.</p>
		<p><b>(RIa) Step relay - lighting switch control (Type 13.22 and 13.21.8.230.B000 only).</b> Each time a lighting switch is activated, the output contact changes state. The output state can also be changed using YESLY wireless pushbutton, a smartphone, or voice assistants. Ideal for converting a traditional lighting system using one, two, or four way switches, into a Smart system. (See page 17).</p>
		<p><b>(LE) Asymmetric flasher (starting pulse on) with control signal.</b> Power is permanently applied to the relay. Closing Signal Switch (S) causes the output contacts to transfer immediately and cycle between ON (T1) and OFF (T2), until opened.</p>
		<p><b>(DE) Interval with control signal on.</b> Power is permanently applied to the relay. On momentary or maintained closure of Signal Switch (S), the output contacts transfer, and remain so for the duration of the preset delay, after which they reset.</p>
		<p><b>(BE) Staircase timer.</b> On initial impulse the output contact closes and timing starts for the pre-set duration; subsequent impulses during the timing period will extend the timing period by the full pre-set value. On expiry of the time delay, the output contact opens.</p>
		<p><b>(ME) Staircase timer + Staircase maintenance.</b> In addition to the Staircase timer function (BE), an impulse of <math>\geq 5</math> seconds will close the output contact for 60 minutes, after which time the contact will open. Ideal for maintenance or cleaning activities. The 60 minute timing can be interrupted by a further impulse of <math>\geq 5</math> seconds, when the output contact then opens.</p>
		<p><b>(BP) Staircase timer with switch off early warning.</b> On initial impulse the output contact closes and the timing starts for the pre-set duration. After the timing period, the output contact blinks off once; 10 seconds later the contact blinks off twice, and after a further 10 seconds the contact opens. During the pre-set and 20 second warning time, it is possible, by a further impulse, to extend the time by the full pre-set value.</p>
		<p><b>(MP) Staircase timer with switch off early warning + staircase maintenance.</b> In addition to the Staircase timer function (BP), an impulse of <math>\geq 5</math> seconds will close the output contact for 60 minutes, after which time the output contact blinks off once; 10 seconds later the contact blinks off twice, and after a further 10 seconds the contact will open. Ideal for maintenance or cleaning activities. The 60 minute timing can be interrupted by a further impulse of <math>\geq 5</math> seconds, when the output contact then opens.</p>

Functions for type 13.22, 13.72, 13.21.8.230.B000 and 13.S2

Type	Functions	
13.21-B000 13.22 13.72		<p><b>(IT) Timing step relay.</b> On initial impulse the output contact closes and timing starts. On expiry of the time delay, the output contact opens. During the timing period it is possible to immediately open the contact with a further impulse.</p>
		<p><b>(IP) Timing step relay with switch off early warning.</b> On initial impulse the output contact closes and timing starts. After the timing period, the output contact blinks off once; 10 seconds later the contact blinks off twice, and after a further 10 seconds the contact opens. During the pre-set and 20 second warning time, it is possible to immediately open the output contact by a further impulse.</p>
		<p><b>(FZ) Timing monostable.</b> The output will be closed when the switch is closed, except where the switch is closed for greater than the preset time T1 - in which case the output contact opens.</p>
13.22 13.72		<p><b>(VB) Bathroom light + fan.</b> Channels Ch1 and Ch2 both close when the P1 command is pressed. At the expiry of T1 Ch1 opens and after a further delay of T2, Ch2 opens. Ch1 can be prematurely opened by another press of P1.</p>
		<p><b>(CP) Ringbell + light.</b> A press to P1 closes Ch1 for the pre-set time T1. While Ch1 is closed Ch2 executes a blinking function, at a rate set by T2. Subsequent presses to P1 extends the Ch1 closed time by re-triggering T1.</p>
13.S2 13.72		<p><b>(TP) Roller shutter.</b> A short press (&lt;1 second) to P1 ("up" pushbutton) initiates a 500ms delay before Ch1 closes for time T1. Pressing P1 again within time period T1 will immediately open Ch1 contact. If P1 is closed for more than 1 second the Ch1 contact will open immediately P1 opens. The same operation applies to P2 and Ch2 contact, used to control the "down" function.</p>

Sequences

P1 (SET): press to advance through the sequence

P2 (RESET): press to return to Step 1

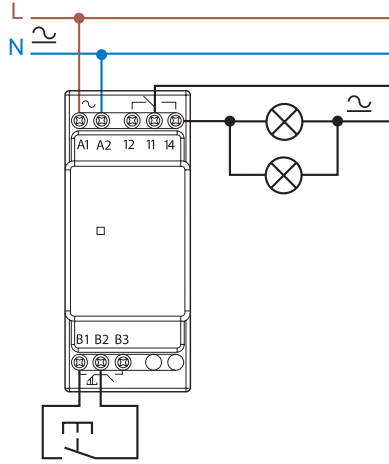
Type	Functions	Sequences			
		1	2	3	4
13.22 13.72	02				
	03				
	04				
	05				
	06				
	07				
	08				

Wiring diagrams (13.01, 13.11, 13.12 and 13.31)

**Type 13.01**

Step wiring diagram

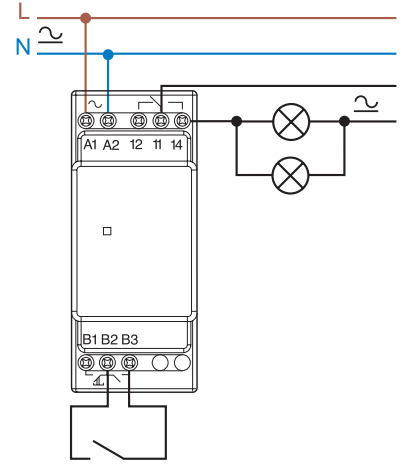
Red LED indication:  
Continuous = relay ON



**Type 13.01**

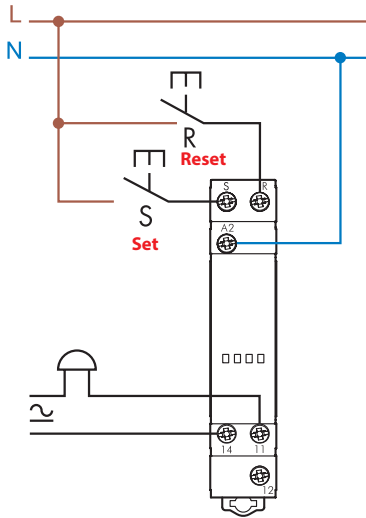
Monostable wiring diagram

Red LED indication:  
Continuous = relay ON



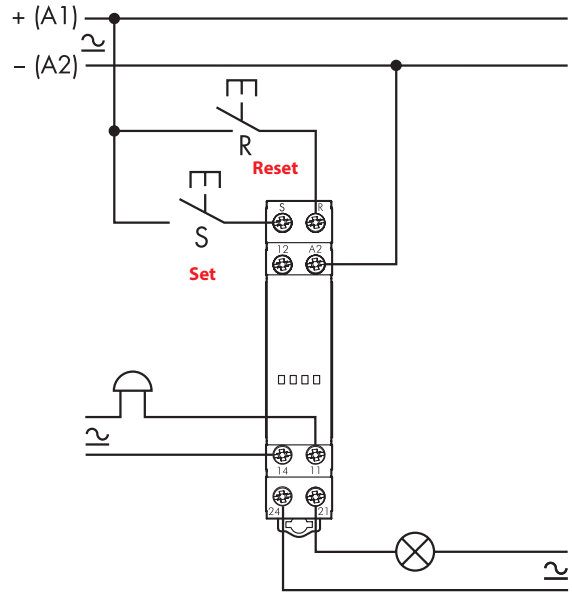
**Type 13.11**

Call & reset relay



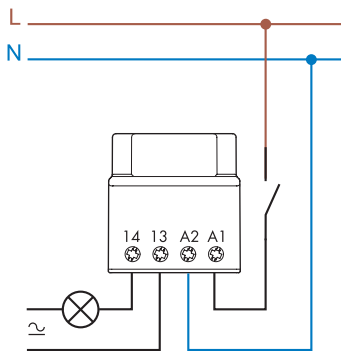
**Type 13.12**

Call & reset relay



**Type 13.31**

Connection

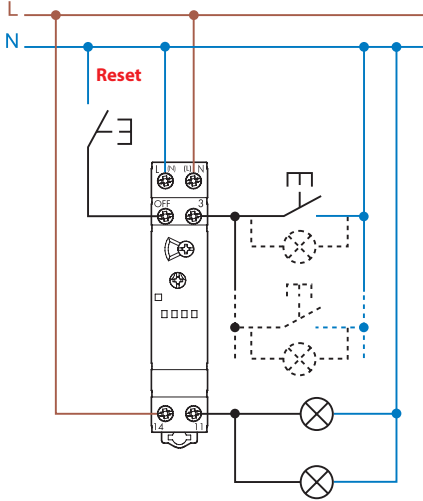


K

Wiring diagrams (13.61)

**Type 13.61.8.230**

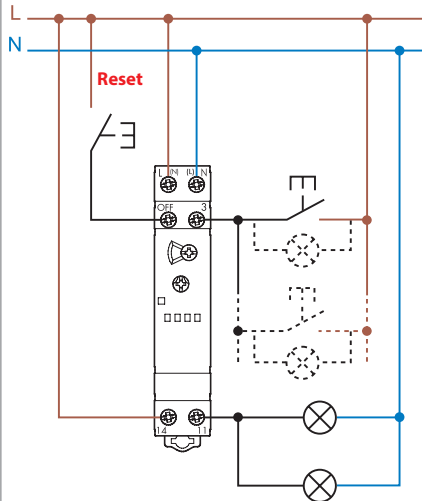
3 wire connection  
Red LED indication:  
Continuous = relay ON  
Blinking = relay OFF



Maximum 10 (≤ 1 mA)  
illuminated push buttons

**Type 13.61.8.230**

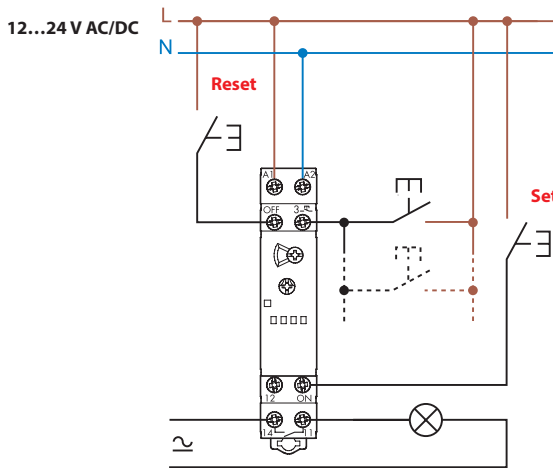
4 wire connection  
Red LED indication:  
Continuous = relay ON  
Blinking = relay OFF



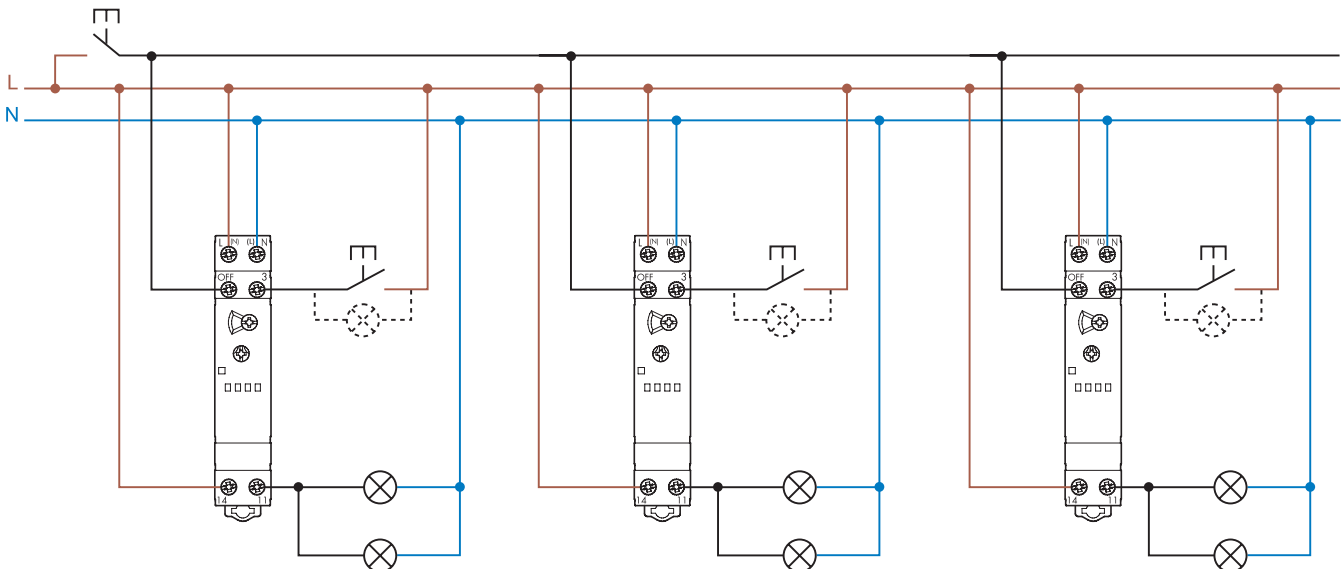
Maximum 10 (≤ 1 mA)  
illuminated push buttons

**Type 13.61.0.024**

4 wire connection  
Red LED indication:  
Continuous = relay ON  
Blinking = relay OFF



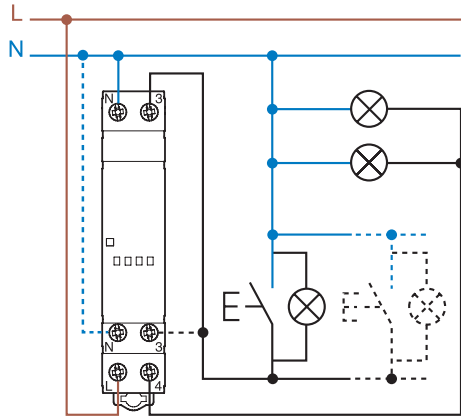
**Type 13.61.8.230 - Examples of multiple 4 wire connection with centralized reset pushbutton**



Wiring diagrams (13.81, 13.91 and 13.21.8.230.B000)

**Type 13.81**

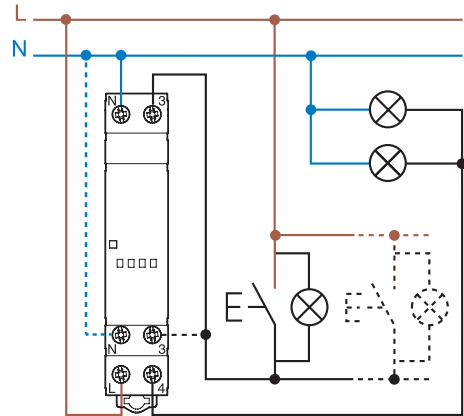
3 wire connection  
Red LED indication: a  
Continuous = relay ON  
Blinking = relay OFF



Maximum 15 ( $\leq 1$  mA)  
illuminated push buttons

**Type 13.81**

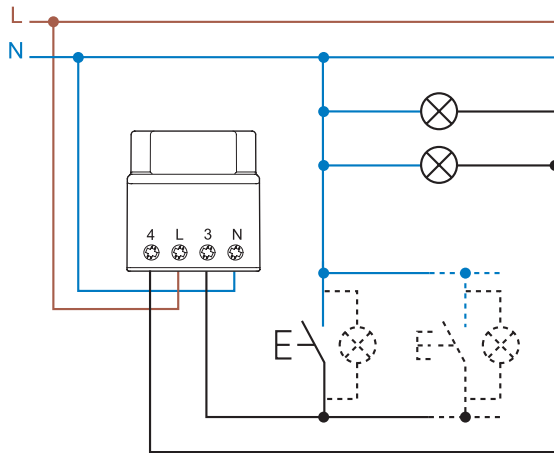
4 wire connection  
Red LED indication:  
Continuous = relay ON  
Blinking = relay OFF



Maximum 15 ( $\leq 1$  mA)  
illuminated push buttons

**Type 13.91**

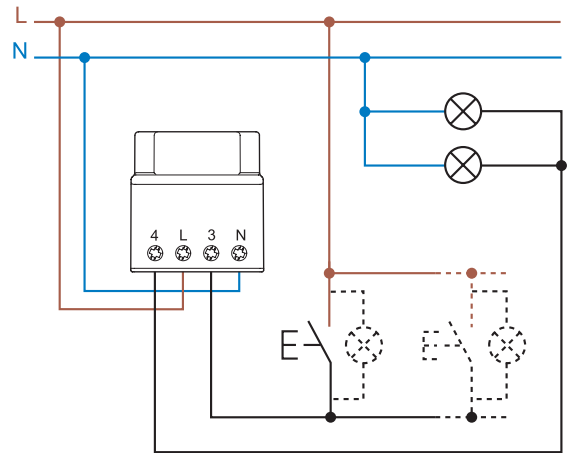
3 wire connection



Maximum 12 ( $\leq 1$  mA)  
illuminated push buttons

**Type 13.91**

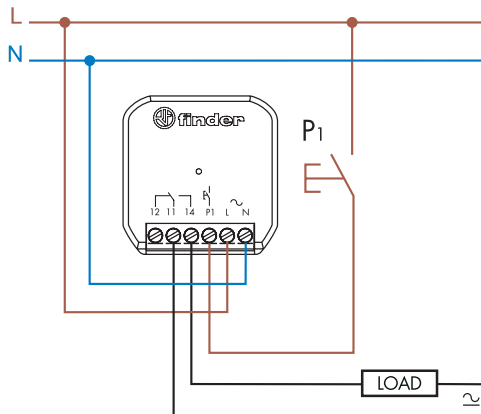
4 wire connection



Maximum 12 ( $\leq 1$  mA)  
illuminated push buttons

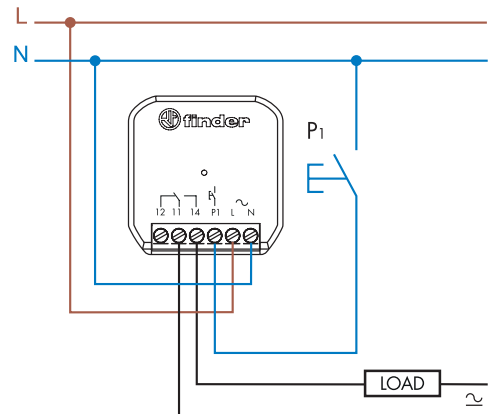
**Type 13.21.8.230.B000**

Wiring with pushbutton to phase



**Type 13.21.8.230.B000**

Wiring with pushbutton to neutral



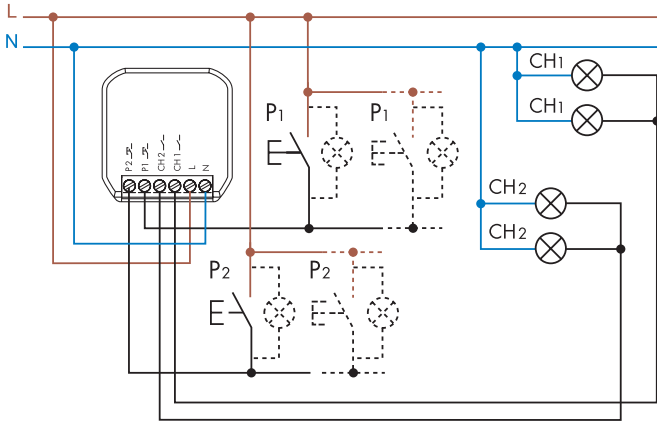
**Note:**

- If the load is powered by a phase other than the one that powers the 13.21, a 50% reduction in the lamp capacity must be considered (set the "Different phase" function from the Finder YOU app).

Wiring diagrams (13.21.8.230.S000, 13.22, 13.S2 and 13.72)

**Type 13.22**

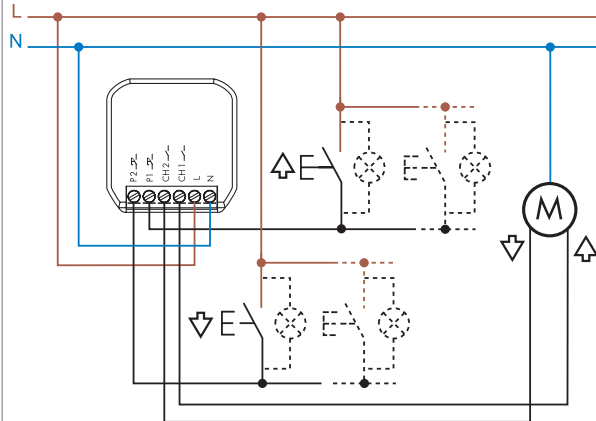
4 wire connection



Maximum 5 ( $\leq 1$  mA)  
illuminated push buttons

**Type 13.S2**

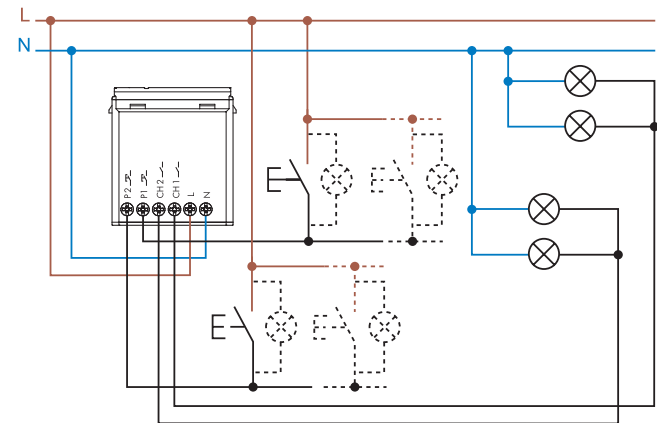
4 wire connection



Maximum 5 ( $\leq 1$  mA)  
illuminated push buttons

**Type 13.72**

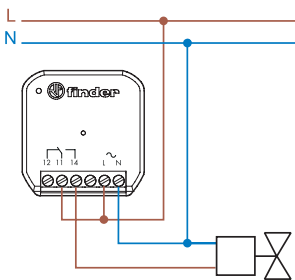
4 wire connection



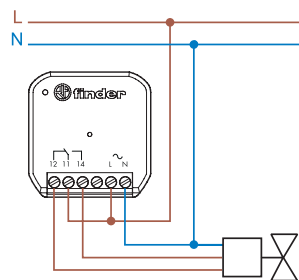
Maximum 5 ( $\leq 1$  mA)  
illuminated push buttons

**Type 13.21.8.230.S000**

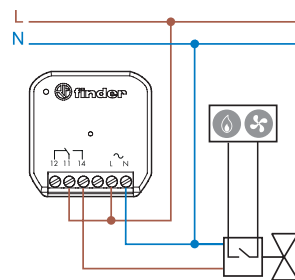
Solenoid valve with 2, 3 and 4 wires or direct connection



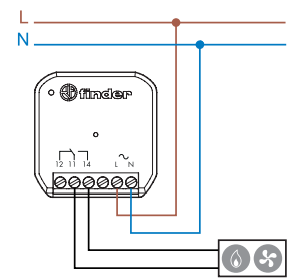
2 wires



3 wires



4 wires



Heating/cooling

Example of connection with a 230 V AC solenoid valve, always refer to the technical characteristics of the solenoid valve.

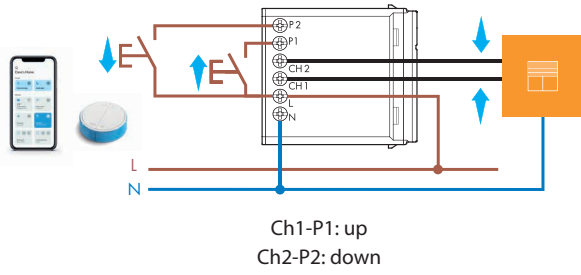
K



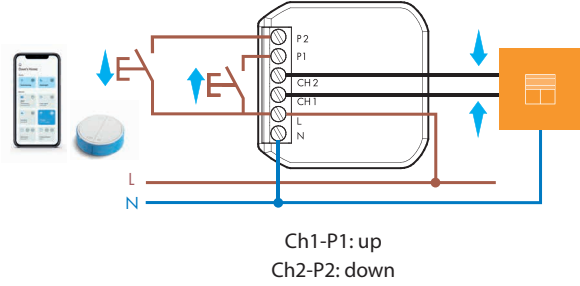
Examples of applications

Function TP - Roller Blinds, Shutters and Curtains

Type 13.72

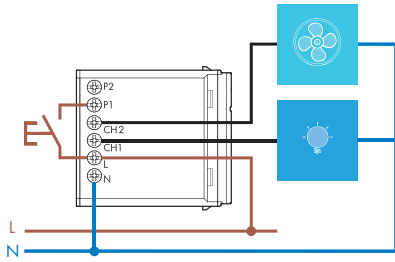


Type 13.S2

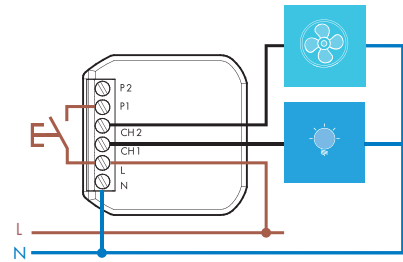


Function VB - Bathroom light + fan

Type 13.72

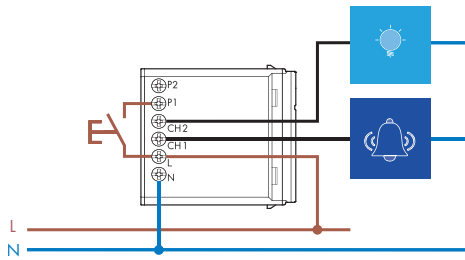


Type 13.22

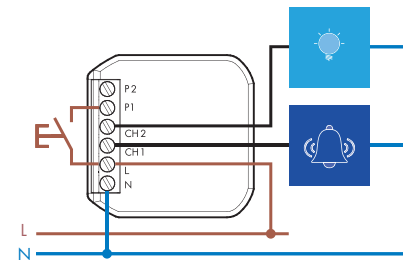


Function CP - Ringbell + Lights

Type 13.72



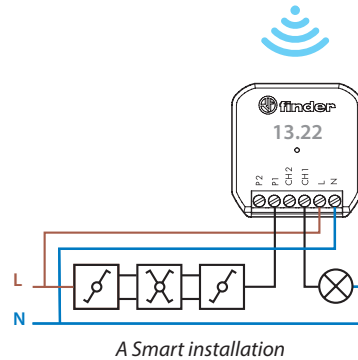
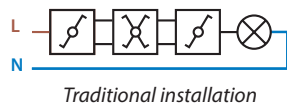
Type 13.22



Type 13.22 - Special function R1a - Step relay (switch control).

Ideal for converting a traditional lighting system using one, two, or four way switches, into a Smart system.

The Smart system controls with just a momentary push to a wired, YESLY wireless or Smartphone pushbutton

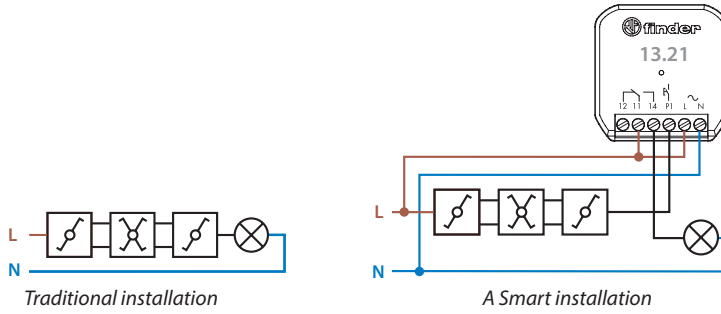


Examples of applications

**Type 13.21.8.230 - Special function R1a - Step relay (switch control).**

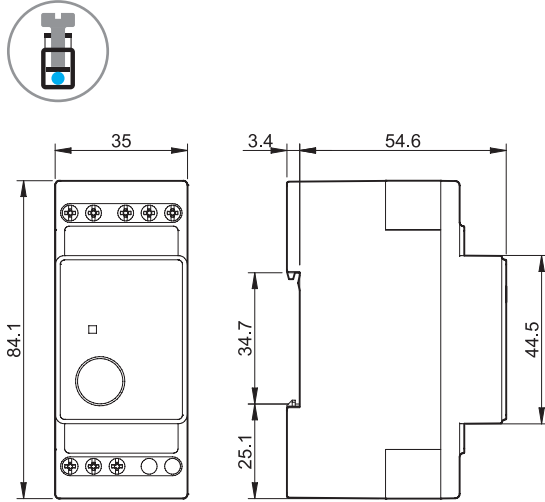
**Ideal for converting a traditional lighting system using one, two, or four way switches, into a Smart system.  
Any existing system can be made Smart with minimum change or disruption**

*The smart system can be controlled by: wireless buttons, smartphone and gateway*

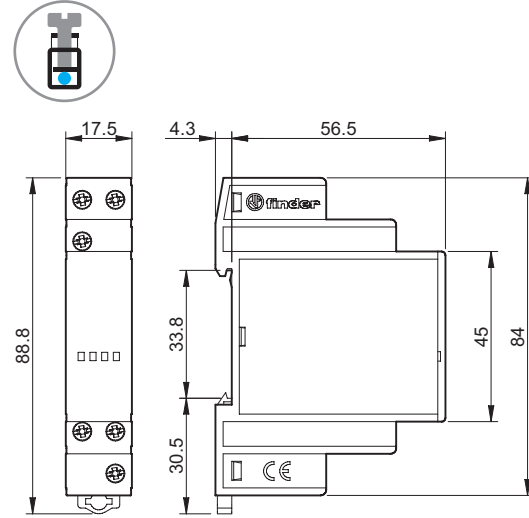


## Outline drawings

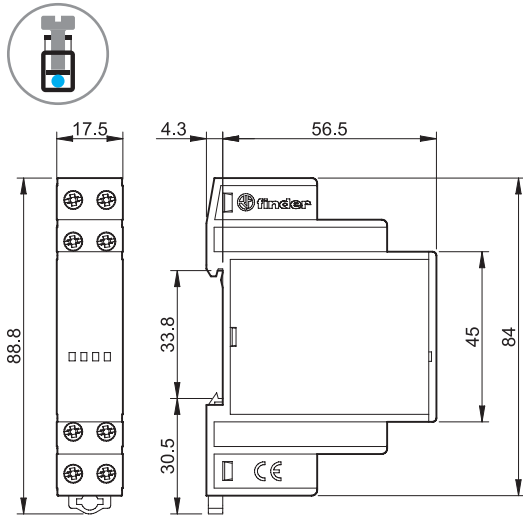
Type 13.01  
Screw terminal



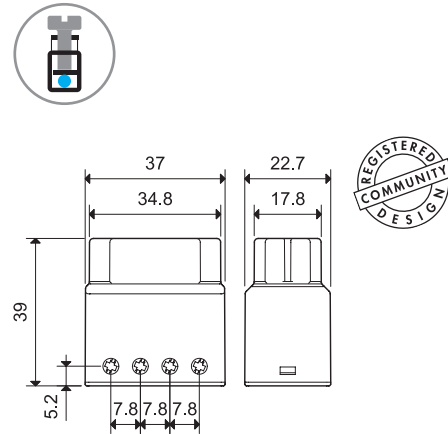
Type 13.11  
Screw terminal



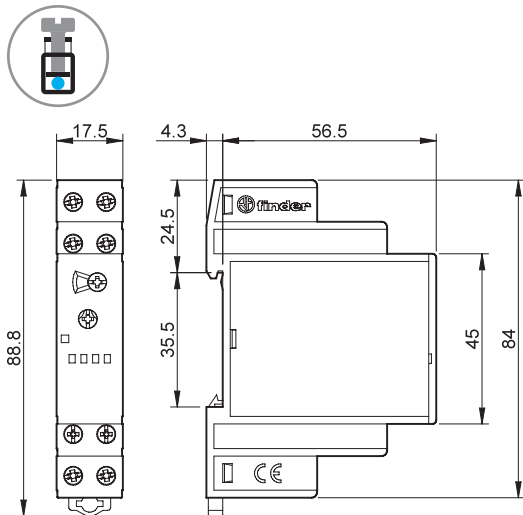
Type 13.12  
Screw terminal



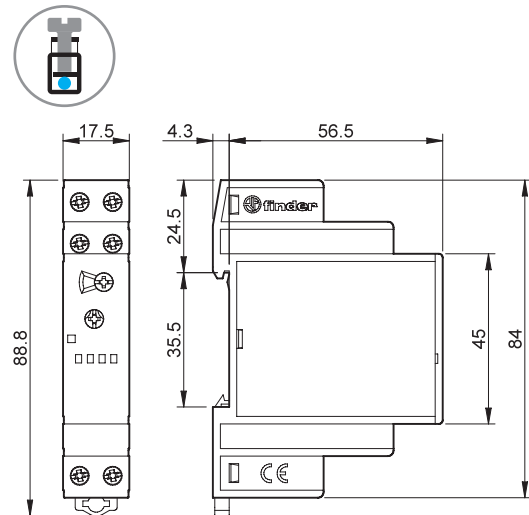
Types 13.31/13.91  
Screw terminal



Type 13.61.0.024.0000  
Screw terminal

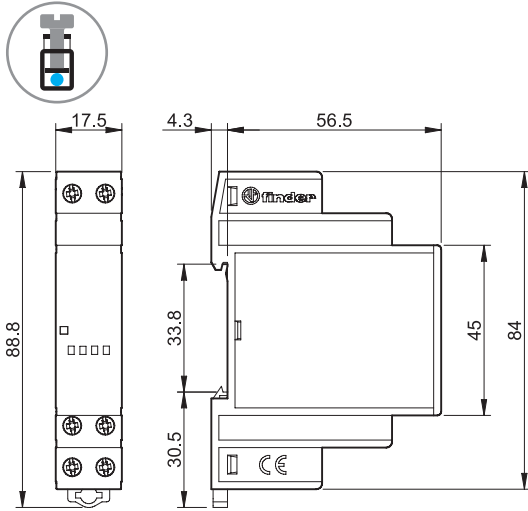


Type 13.61.8.230.0000  
Screw terminal

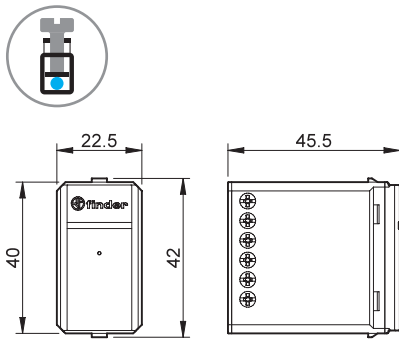


## Outline drawings

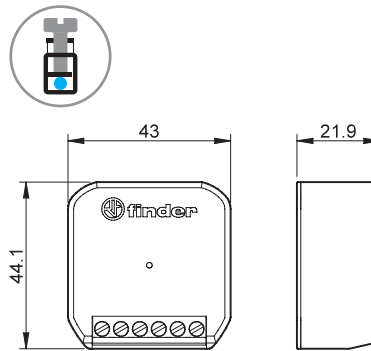
Type 13.81  
Screw terminal



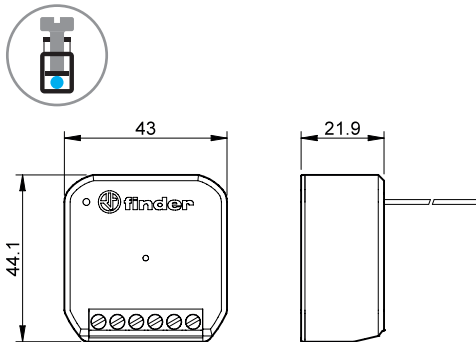
Type 13.72  
Screw terminal



Type 13.21 / 13.22 / 13.S2  
Screw terminal



Type 13.21.8.230.S000  
Screw terminal



K

## Accessories



011.01

**Adaptor for panel mounting**, for type 13.01, 35 mm wide

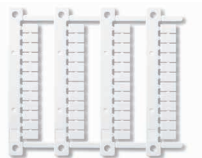
011.01



020.01

**Adaptor for panel mounting**, for type 13.11, 13.12, 13.61 and 13.81, 17.5 mm wide

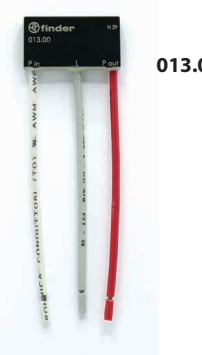
020.01



060.48

**Sheet of marker tags (CEMBRE Thermal transfer printers)** for relays types 13.11, 13.12, 13.61 and 13.81 (48 tags), 6 x 12 mm

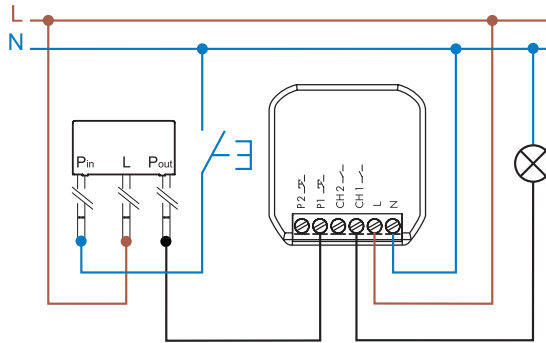
060.48



013.00

**Pushbutton phase/neutral converter.** Use this with a pre-existing neutral wired pushbutton when retro fitting a device designed only for phase connected pushbuttons. This avoids any radical change to the existing wiring.

013.00



Application example with type 13.22



013.17

**Adapter for DIN rail**, to install devices 13.22, 13.21, 13.52 in the electrical panel.

013.17

