

## Features

- Compliance to Lighting and LED Equipment Regulations
- IP20 for Indoor Installation
- MM Marking for Furniture Installation
- Suitable for LED Lighting Applications
- 1 Year Warranty

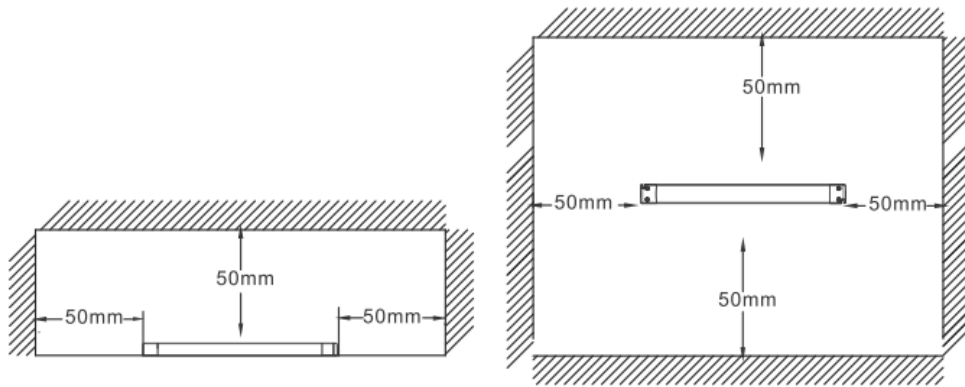
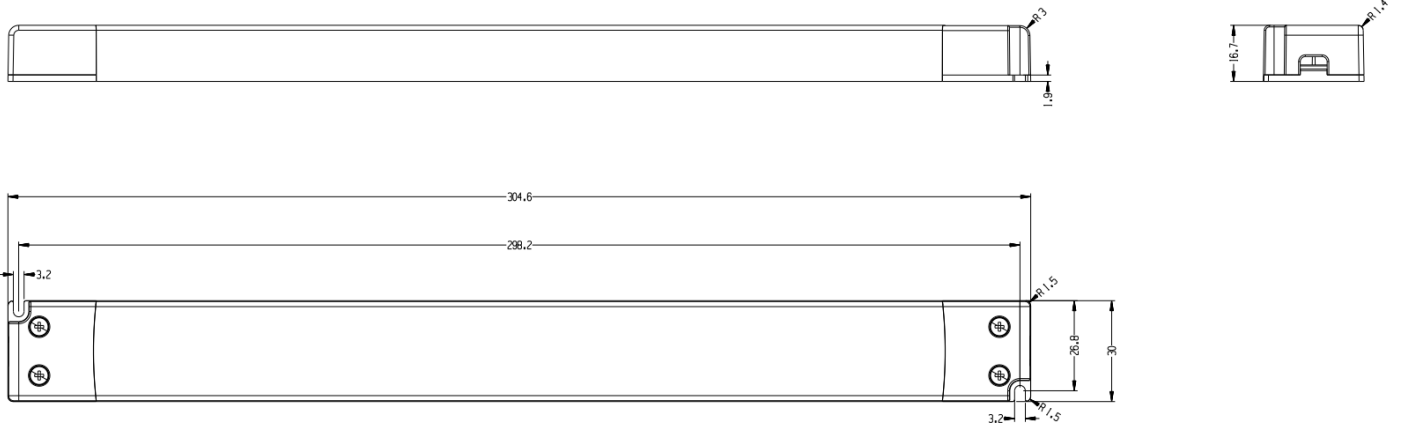


## Marks / Approvals



## Specifications

MODEL No.	PART No.	Voltage	Min. Load	Max. Load	Max. Power	Ripple & Noise
LED 12V60W-MM-EU-slim	SNP60-12VF-1	12 V	0.00 A	5.0 A	60 W	< 500 mV p-p
LED 24V60W-MM-EU-slim	SNP60-24VF-1	24 V	0.00 A	2.5 A	60 W	< 600 mV p-p
INPUT	<b>Voltage</b>	AC 200 V – 240 V				
	<b>Frequency</b>	50 Hz - 60 Hz				
	<b>Current (rms max)</b>	< 0.5 A				
	<b>Power Factor</b>	≥ 0.9				
PROTECTION	<b>Overload</b>	Yes, Auto Recovery				
	<b>Overvoltage</b>	Yes, Latch Off				
	<b>Short Circuit</b>	Yes, Auto Recovery				
	<b>Over Temperature</b>	Yes, temperature exceeding max. value at detection point				
	<b>Input Surge Current</b>	< 75 A				
OTHERS	<b>Cooling</b>	Convection Cooling				
	<b>Efficiency</b>	≥ 88 % typical				
	<b>Startup Time</b>	< 0.5 s				
	<b>Protection Marking</b>	IP20 (IEC 60529)				
	<b>Working Noise</b>	< 30 dB, pickup at 10 cm				
	<b>Protection Class</b>	Class II				
	<b>Case Material</b>	Plastic cover with terminal block H03VVH2-F 2x0.75mm <sup>2</sup>				
Environment	<b>Temperature</b>	Operating: -20 °C to 45 °C / Max. Case Temperature: 80 °C				
	<b>Humidity</b>	Operating: 45 % RH to 85 % RH				
Lifetime	30 000 hrs at max. Ta, rated input voltage, output max. rated power					
SAFETY	IEC / EN 61347-1, IEC / EN 61347-2-13					
EMI	EN 55015					
EMS	EN 61000-4-2, -3, -4, -5, -6, EN 61547					
Harmonic	EN 61000-3-2 Class C					
Case Dimensions	304.6 mm × 30 mm × 16.7 mm					



Mounting Location Dimension