

# Linear Solenoids

## Frame solenoids standard

Small frame

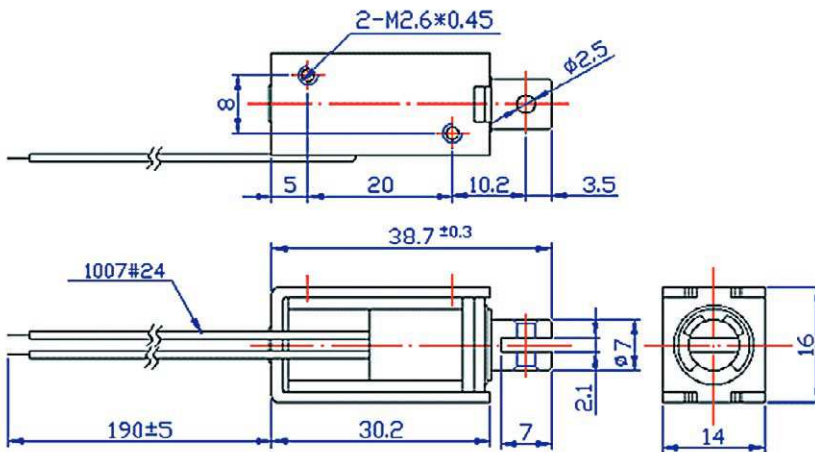
Overload capability

Solid

ITS-LS 1614

**M**

### Type



### Description

Chaeap and light-weight based on frame mode construction. Including damping ring and dumper inside the case. Open frame solenoid with closed brace.

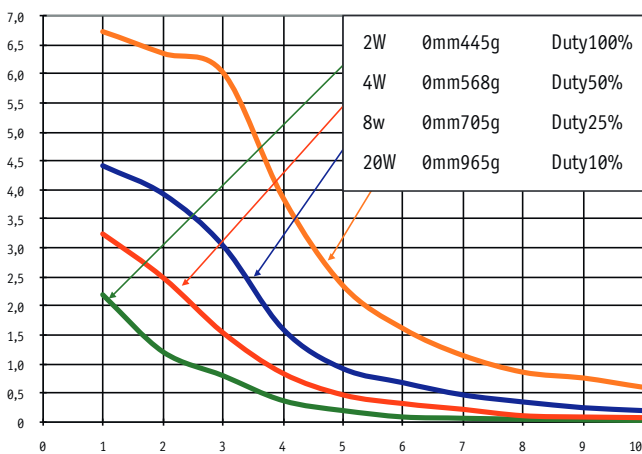
Small but with overload passably stroke at the 5 - 10 mm.

Weight: 33 g

### Coil Data

Relative ED (Percent)	100	50	25	10
Max. Performance (Watt)	2	4	8	20
Max. ED (Seconds)	∞	55	19	3

### Force-stroke-diagram (N/mm)



### Solenoid Layout

Version:

Pull Magnet

Pressure Solenoid with spring return

Current:

12 VDC (standard)

24 VDC (standard)

other voltages on request

### Special development

Do you like a costum designed version (for example frame, force, duty cycle and so on) please send us this form:

[Checklist \(PDF, 390 kB\)](#)