

Linear Solenoids

Frame solenoids standard



Large frame

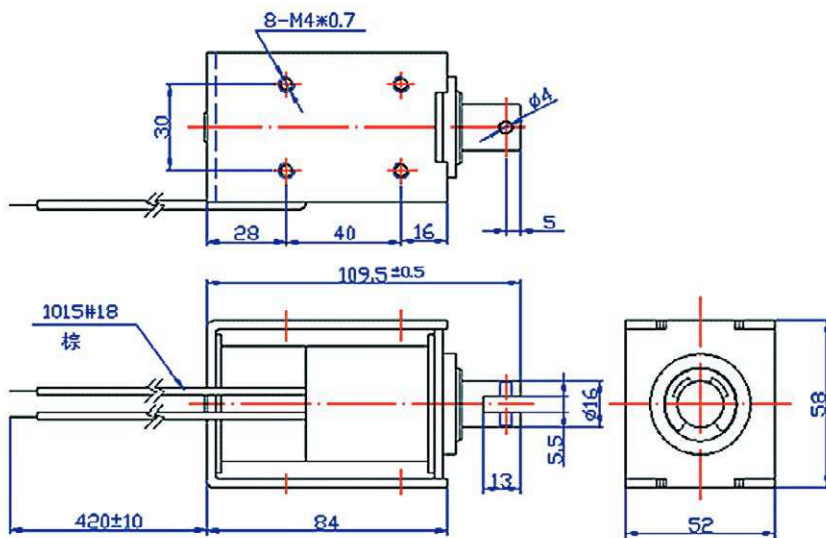
Adequate for overload

Extremely solid

ITS-LS 5852



Type



Description

Cheap based on frame mode construction. Including damping ring and dumper inside the case. Open framed solenoid with closed brace.

Small but with overload passably stroke at the 30 - 40 mm.

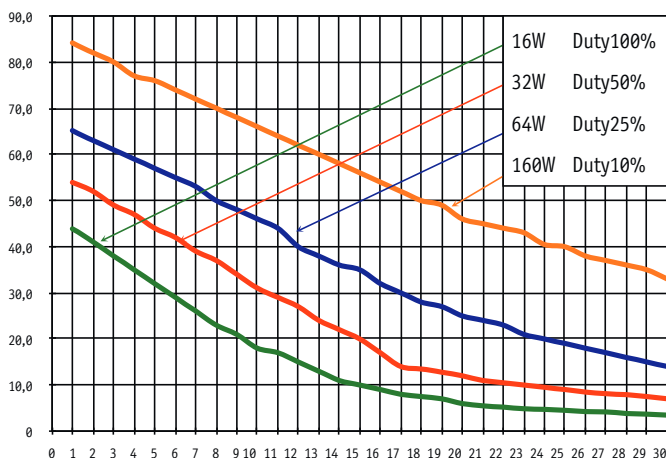
Weight: 1.090 g

Elevated force at end of the stroke.

Coil Data

Relative ED (Percent)	100	50	25	10
Max. Performance (Watt)	16	32	64	160
Max. ED (Seconds)	∞	250	120	40

Force-stroke-diagram (N/mm)



Solenoid Layout

Version:

Pull Magnet

Pressure Solenoid with spring return

Current:

12 VDC (standard)

24 VDC (standard)

other voltages on request

Special development

Do you like a costum designed version (for example frame, force, duty cycle and so on) please send us this form:

[Checklist \(PDF, 390 kB\)](#)



RED
MAGNETICS
POWERED BY INTERTEC

Intertec Components GmbH
Specialized Department:
Red Magnetics
Erdinger Str. 45
85356 Freising · Germany

Contact:

Phone: 0049-(0)8161-9913-0

Fax: 0049-(0)8161-9913-20

E-Mail: service@red-magnetics.com

Info: www.red-magnetics.com