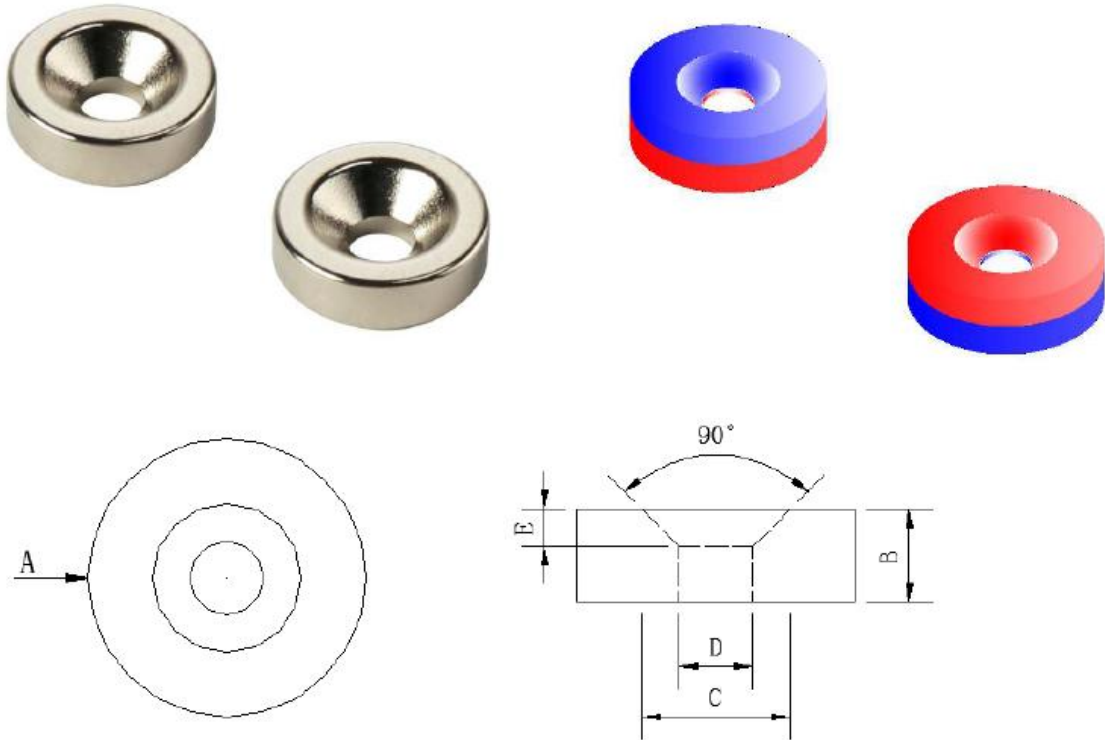


## Data Sheet

---

### NdFeB-Magnet Disc N35 w/ Countersink Hole (2 PCS Pair)



## Data Sheet

### Dimension

Item no.	Outer Ø (A)	Height (B)	Countersink	Head Ø (C)	Base Screw Ø (D)	Head Height (E)
1218972 / 1572492	10mm	3mm	M3	6mm	3mm	1.5mm
1218973 / 1568107	10mm	5mm	M3	8mm	4mm	2mm
1218974 / 1568108	15mm	3mm	M4	8mm	4mm	2mm
1218975 / 1565435	15mm	5mm	M4	8mm	4mm	2mm
1218976 / 1564725	20mm	3mm	M4	8mm	4mm	2mm
1218977 / 1572493	20mm	5mm	M4	8mm	4mm	2mm
1218978 / 1568109	25mm	3mm	M5	10mm	5mm	2.5mm
1218979 / 1568110	25mm	5mm	M5	10mm	5mm	2.5mm

Grade .....	N35
Remanence Br .....	11.8 to 12.4 kGs
Coercivity bHc .....	≥10.9 kOe
Intrinsic Coercivity iHc .....	≥12 kOe
Max Energy Product BHmax .....	33 to 37 MGOe
Operating Temperature .....	max. 80°C
Tolerance .....	±0.1mm