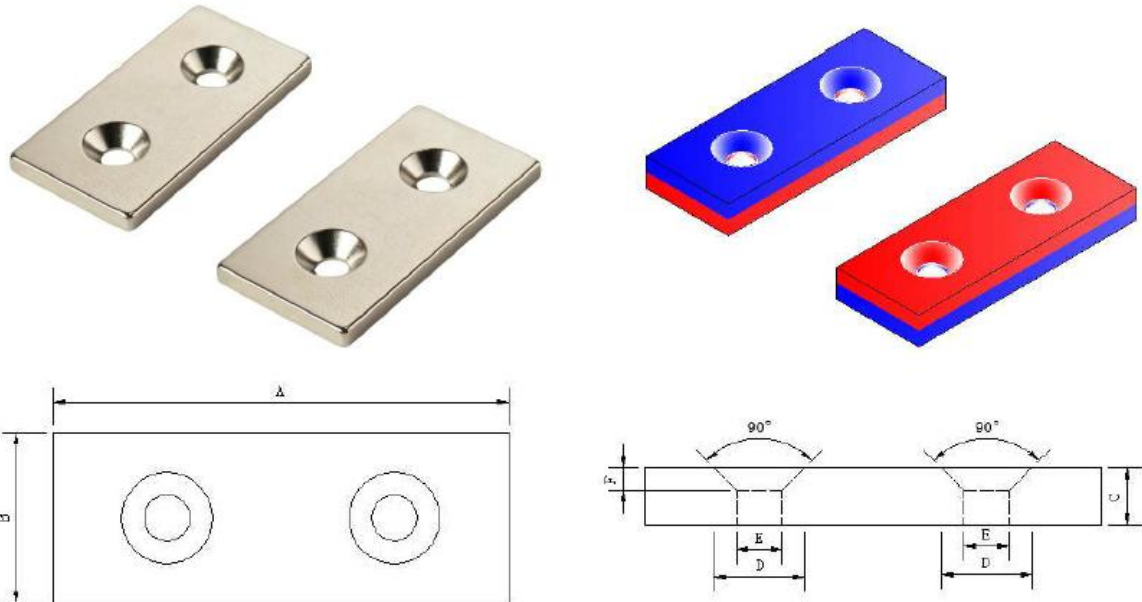


Data Sheet

NdFeB-Magnet Rectangular N35 w/ Two Countersink Hole (2 PCS Pair)



Dimension

Item no.	Length (A)	Width (B)	Height (C)	Countersink	Head Ø (D)	Base Screw Ø (E)	Head Height (F)
1218994 / 1568119	40mm	15mm	3mm	M4 x 2	8mm	4mm	2mm
1218995 / 1568120	40mm	12mm	5mm	M4 x 2	8mm	4mm	2mm

Data Sheet

1218996 / 1572497	40mm	20mm	3mm	M4 x 2	8mm	4mm	2mm
1218997 / 1572498	40mm	20mm	5mm	M4 x 2	8mm	4mm	2mm
1218998 / 1570425	40mm	25mm	3mm	M4 x 2	10mm	5mm	2.5mm
1218999 / 1568121	40mm	25mm	5mm	M4 x 2	10mm	5mm	2.5mm

GradeN35
 Remanence Br 11.8 to 12.4 kGs
 Coercivity bHc ≥ 10.9 kOe
 Intrinsic Coercivity iHc ≥ 12 kOe
 Max Energy Product BHmax 33 to 37 MGOe
 Operating Temperaturemax. 80°C
 Tolerance ± 0.1 mm