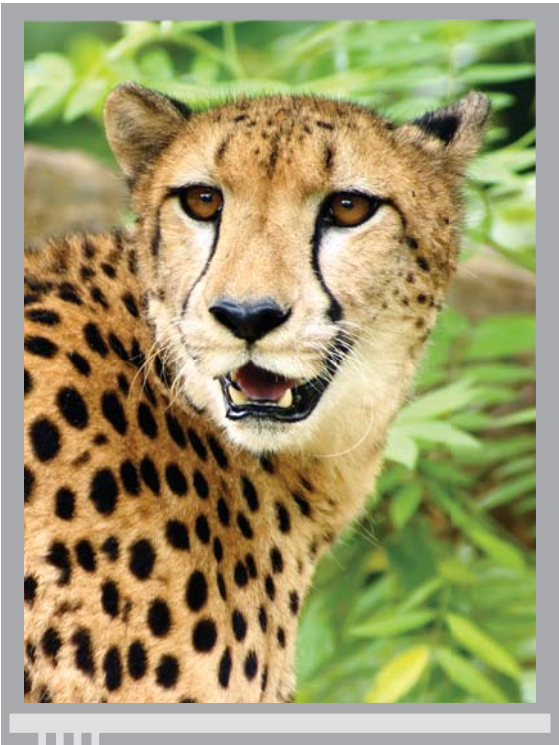
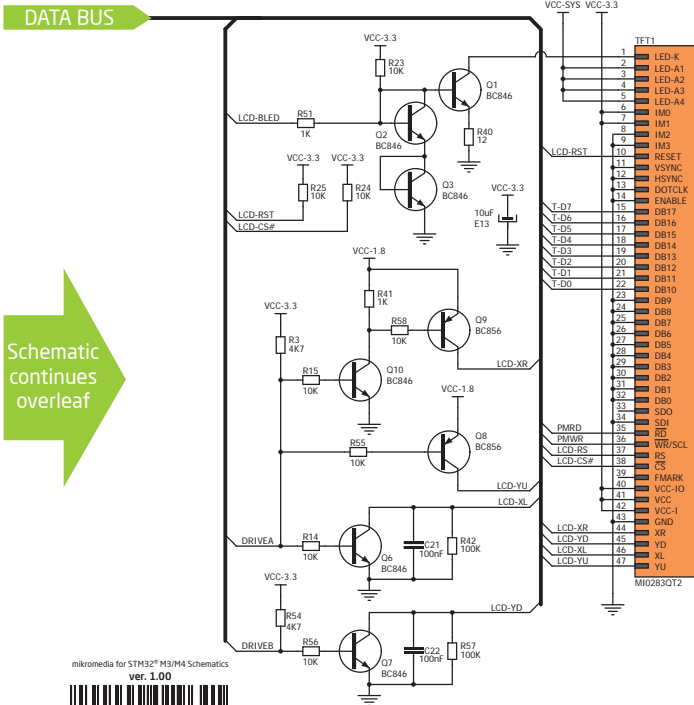
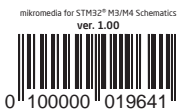


mikromedia™ for STM32®

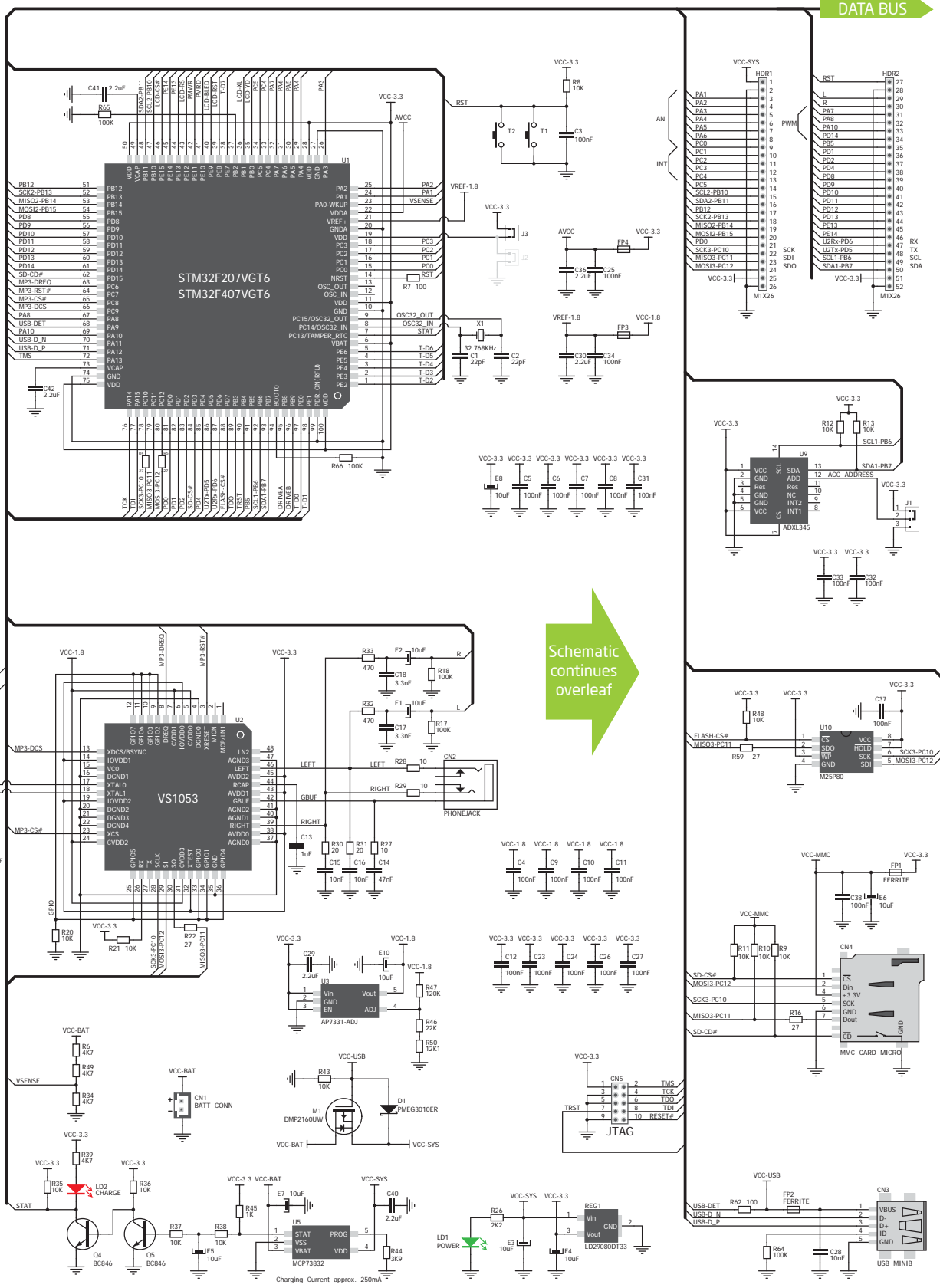
We present you with a complete color schematics for mikromedia™ for STM32® development board. We want you to know what your board is consisted of and how it actually works.



TFT 320x240 display with 262.144 colors



HW REV. 1.00



Schematic continues overleaf