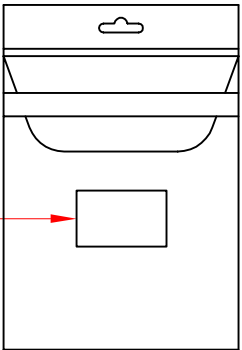
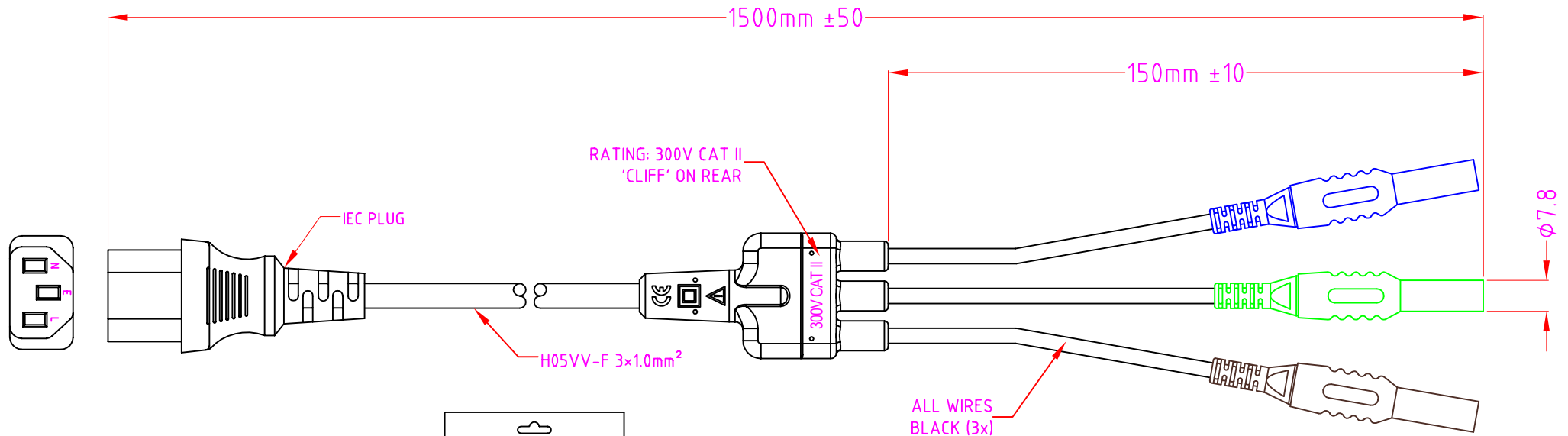


ISS.	AMEND	DATE
1	ISSUED	26/02/14



PLUG WIRING
 N - BLUE
 E - GREEN
 L - BROWN

WHEN ORDERING USE CLIFF PART NUMBER: CIH29920

RoHS
 COMPLIANT

TOLERANCE
 NO DEC. PLACE ±
 1 DEC. PLACE ±
 2 DEC. PLACE ±
 HOLE Ø ±
 ANGLES ±
 UNLESS OTHERWISE STATED

Cliff Electronic Components Ltd.
 76 Holmesthorpe Avenue, Holmesthorpe Industrial Estate,
 Redhill, Surrey, RH1 2PF, England, UK
 Tel: 01737-771375 Fax: 01737-766012 Website: www.cliffuk.co.uk

THE CONTENTS OF THIS DOCUMENT MUST NOT BE COPIED OR DISCLOSED TO A 3rd PARTY WITHOUT WRITTEN PERMISSION OF CLIFF UK. © 2014

DIMENSIONS IN MILLIMETERS UNLESS OTHERWISE STATED. WORK TO DIMENSIONS. REMOVE ALL BURRS. IF IN DOUBT ASK.

MATERIAL: COMPOSITE

FINISH: CLEAN - BLUE / GREEN / BROWN

DRAWN: T.J.O. APPROVED: D.P.J.

3rd ANGLE PROJECTION:

TITLE: CLIFF IEC - 3x4mm BLUE/GREEN/BROWN

DRWG. No. CIH29920DST

DO NOT SCALE

FORM: A4DRWGH