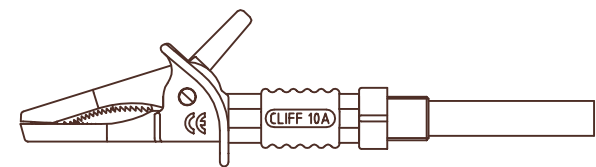
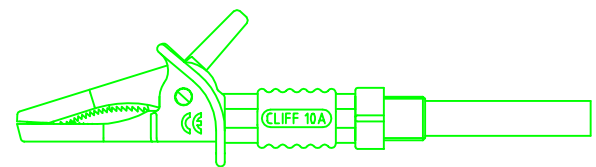
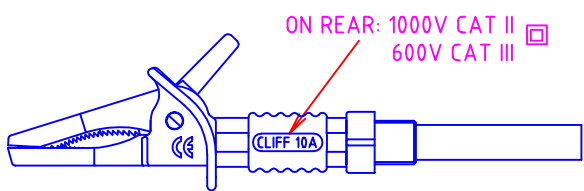
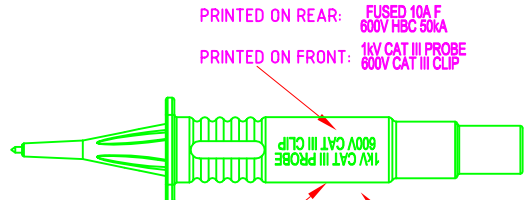
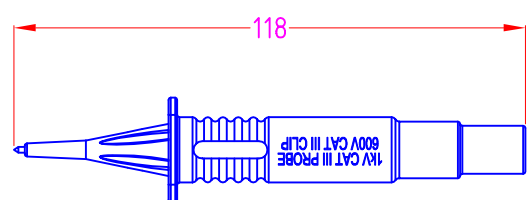
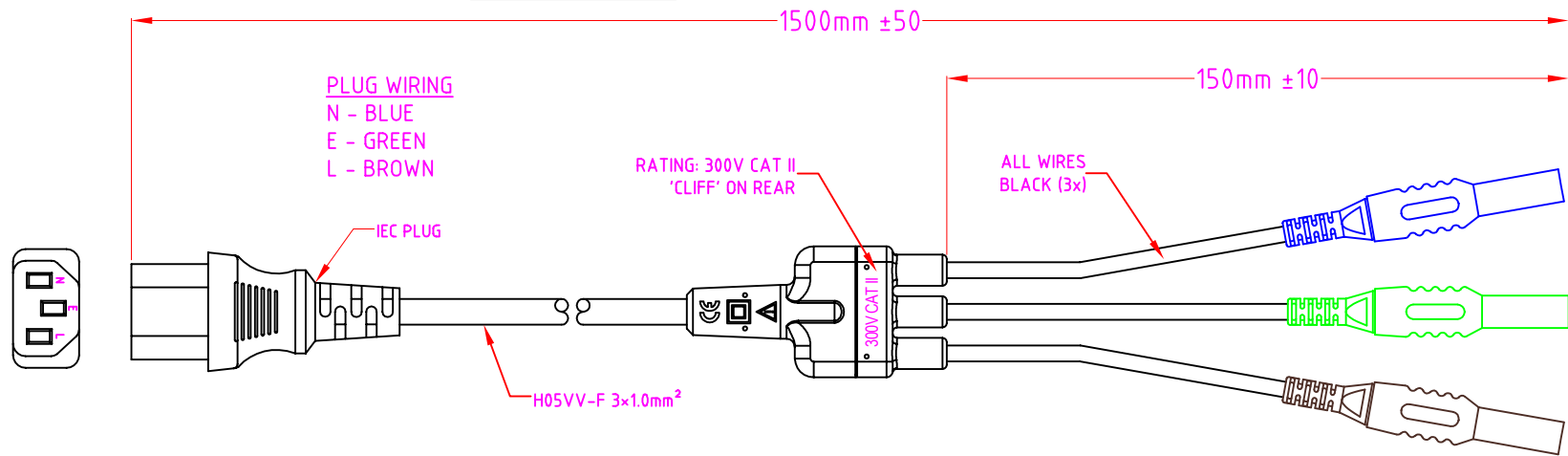


- SET INCLUDES**
- 1x IEC PLUG - 3x4mm PLUG LEAD
 - 1x BLUE FUSED PROBE
 - 1x GREEN FUSED PROBE
 - 1x BROWN FUSED PROBE
 - 1x BLUE SCREW IN FUSED CROC CLIP
 - 1x GREEN SCREW IN FUSED CROC CLIP
 - 1x BROWN SCREW IN FUSED CROC CLIP

ISS.	AMEND	DATE
1	ISSUED	26/02/14



WHEN ORDERING USE CLIFF PART NUMBER: CIH29925

RoHS COMPLIANT

TOLERANCE

- NO DEC. PLACE ±
- 1 DEC. PLACE ±
- 2 DEC. PLACE ±
- HOLE Ø ±
- ANGLES ±
- UNLESS OTHERWISE STATED

Cliff Electronic Components Ltd.
 76 Holmehorpe Avenue, Holmehorpe Industrial Estate,
 Redhill, Surrey, RH1 2PF, England, UK
 Tel: 01737-771375 Fax: 01737-766012 Website: www.cliffuk.co.uk

THE CONTENTS OF THIS DOCUMENT MUST NOT BE COPIED OR DISCLOSED TO A 3rd PARTY WITHOUT WRITTEN PERMISSION OF CLIFF UK. © 2014

DIMENSIONS IN MILLIMETERS UNLESS OTHERWISE STATED. WORK TO DIMENSIONS. REMOVE ALL BURRS. IF IN DOUBT ASK.

MATERIAL: COMPOSITE

FINISH: CLEAN - BLUE / GREEN / BROWN

DRAWN: T.J.O. APPROVED: D.P.J.

3rd ANGLE PROJECTION:

TITLE: CLIFF IEC MAINS - 3x4mm PLUGS FUSED

DRWG. No. **CIH29925DST** FORM: A4DRWGH

DO NOT SCALE