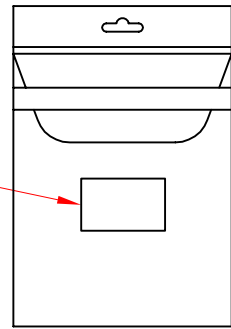
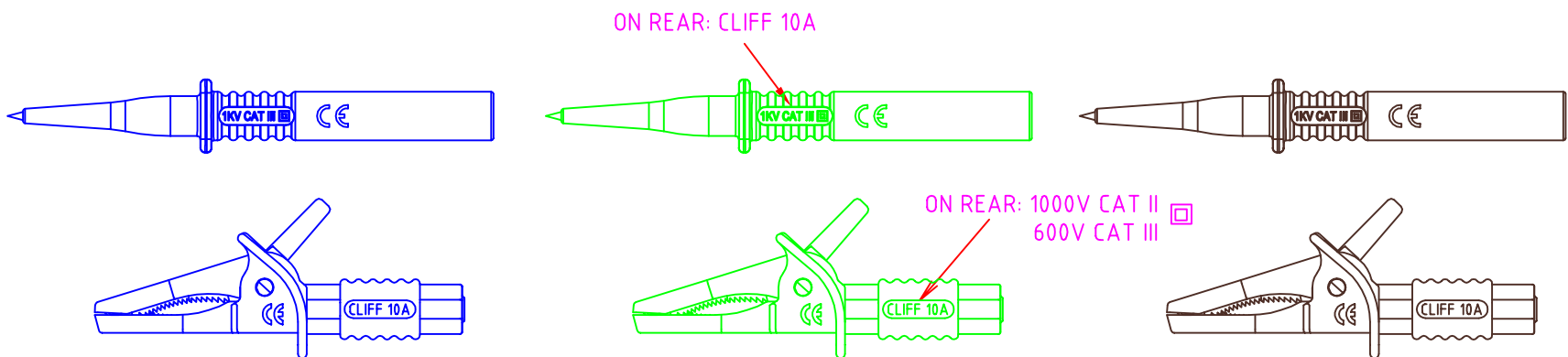
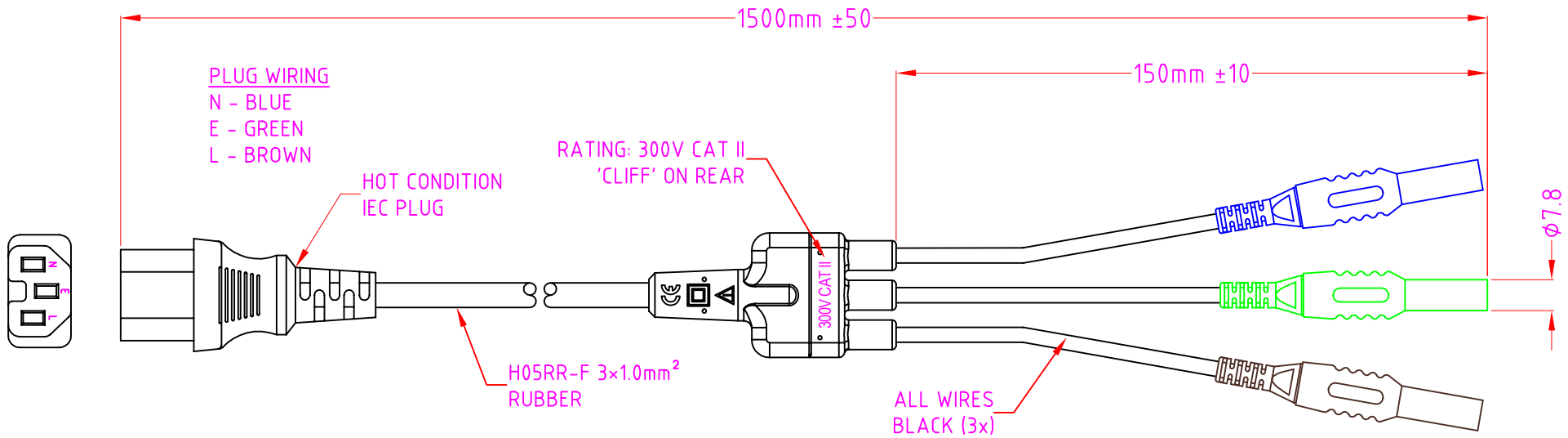


ISS.	AMEND	DATE
1	ISSUED	16/04/14



- SET INCLUDES**
- 1x IEC PLUG - 3x4mm PLUG LEAD
  - 1x BLUE TPR7 PROBE
  - 1x GREEN TPR7 PROBE
  - 1x BROWN TPR7 PROBE
  - 1x BLUE CROC CLIP
  - 1x GREEN CROC CLIP
  - 1x BROWN CROC CLIP



WHEN ORDERING USE CLIFF PART NUMBER: CIH29923

**RoHS**  
COMPLIANT

**TOLERANCE**  
NO DEC. PLACE ±  
1 DEC. PLACE ±  
2 DEC. PLACE ±  
HOLE Ø ±  
ANGLES ±  
UNLESS OTHERWISE STATED

**Cliff Electronic Components Ltd.**  
76 Holmethorpe Avenue, Holmethorpe Industrial Estate,  
Redhill, Surrey, RH1 2PF, England, UK  
Tel: 01737-771375 Fax: 01737-766012 Website: www.cliffuk.co.uk

THE CONTENTS OF THIS DOCUMENT MUST NOT BE COPIED OR DISCLOSED TO A 3rd PARTY WITHOUT WRITTEN PERMISSION OF CLIFF UK. © 2014

DIMENSIONS IN MILLIMETERS UNLESS OTHERWISE STATED. WORK TO DIMENSIONS. REMOVE ALL BURRS. IF IN DOUBT ASK.

3rd ANGLE PROJECTION:

DO NOT SCALE

MATERIAL:	COMPOSITE
FINISH:	CLEAN - BLUE / GREEN / BROWN
DRAWN:	T.J.O.
APPROVED:	D.P.J.

TITLE:	CLIFF HC IEC PLUG 3-1 TPR7+CROC UNFUSED
DRWG. No.	CIH29923DST
FORM:	A4DRWGH