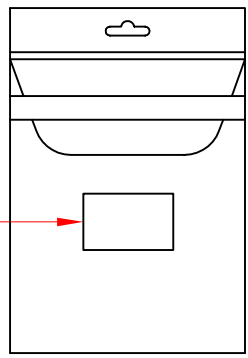
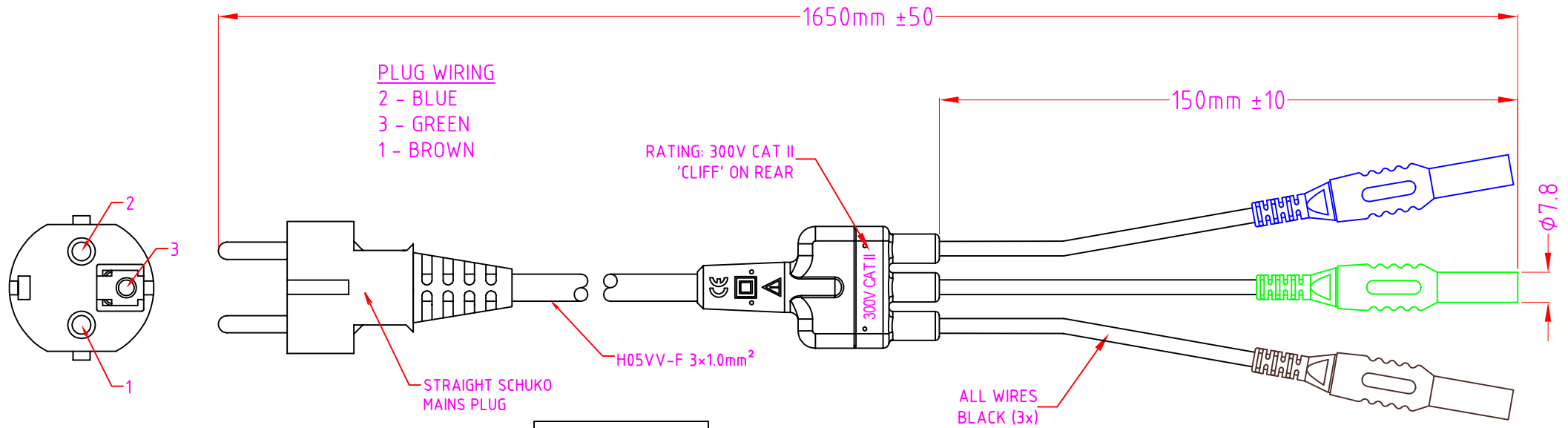


ISS.	AMEND	DATE
1	ISSUED	16/04/14



WHEN ORDERING USE CLIFF PART NUMBER: CIH29950

**RoHS**  
COMPLIANT

**TOLERANCE**  
 NO DEC. PLACE ±  
 1 DEC. PLACE ±  
 2 DEC. PLACE ±  
 HOLE Ø ±  
 ANGLES ±  
 UNLESS OTHERWISE STATED

**Cliff Electronic Components Ltd.**  
 76 Holmehorpe Avenue, Holmehorpe Industrial Estate,  
 Redhill, Surrey, RH1 2PF, England, UK  
 Tel: 01737-771375 Fax: 01737-766012 Website: www.cliffuk.co.uk

DIMENSIONS IN MILLIMETERS UNLESS OTHERWISE STATED. WORK TO DIMENSIONS. REMOVE ALL BURRS. IF IN DOUBT ASK.

3rd ANGLE PROJECTION:

DO NOT SCALE

MATERIAL: COMPOSITE

TITLE: CLIFF SCHUKO - 3x4mm BLUE/GREEN/BROWN

FINISH: CLEAN - BLUE / GREEN / BROWN

DRWG. No. **CIH29950DST**

THE CONTENTS OF THIS DOCUMENT MUST NOT BE COPIED OR DISCLOSED TO A 3rd PARTY WITHOUT WRITTEN PERMISSION OF CLIFF UK. © 2014

DRAWN: T.J.O.

APPROVED: D.P.J.

FORM: A4DRWG