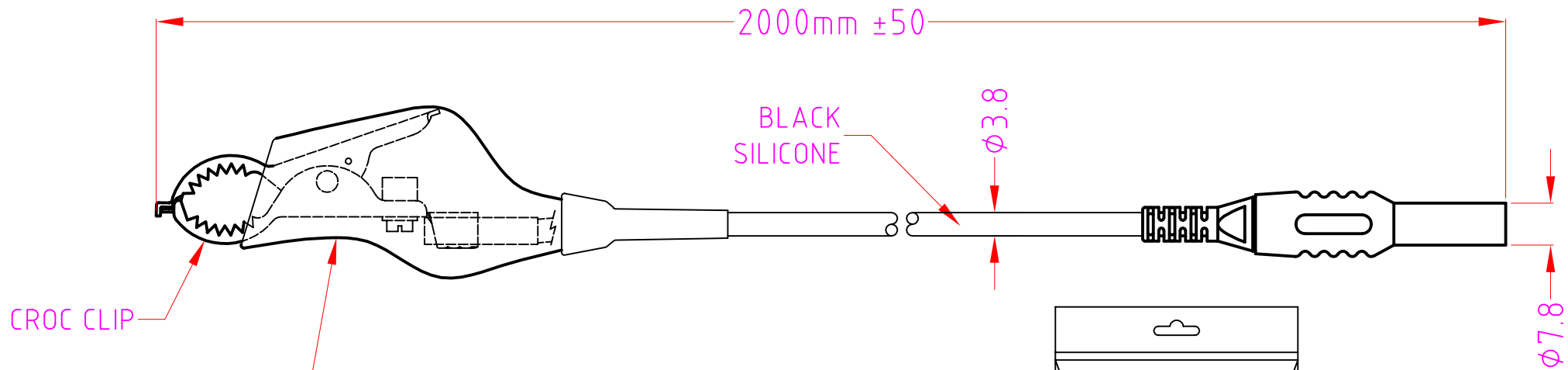


| ISS. | AMEND | DATE |
|------|--------|----------|
| 1 | ISSUED | 17/04/14 |



CROC CLIP

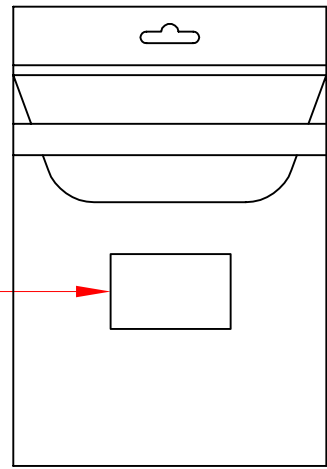
BLACK BOOT

BLACK SILICONE

2000mm ±50

Ø3.8

Ø7.8



RoHS
✓ **COMPLIANT**

TOLERANCE
 NO DEC. PLACE ±
 1 DEC. PLACE ±
 2 DEC. PLACE ±
 HOLE Ø ±
 ANGLES ±
 UNLESS OTHERWISE STATED

WHEN ORDERING USE CLIFF PART NUMBER: CIH22105

Cliff Electronic Components Ltd.
 76 Holmehorpe Avenue, Holmehorpe Industrial Estate,
 Redhill, Surrey, RH1 2PF, England, UK
 Tel: 01737-771375 Fax: 01737-766012 Website: www.cliffuk.co.uk

DIMENSIONS IN MILLIMETERS UNLESS OTHERWISE STATED. WORK TO DIMENSIONS. REMOVE ALL BURRS. IF IN DOUBT ASK.

3rd ANGLE PROJECTION:

DO NOT SCALE

MATERIAL: COMPOSITE

TITLE: LV EARTH BOND LEAD WITH HD CROC CLIP (2m)

FINISH: CLEAN - BLACK

THE CONTENTS OF THIS DOCUMENT MUST NOT BE COPIED OR DISCLOSED TO A 3rd PARTY WITHOUT WRITTEN PERMISSION OF CLIFF UK. © 2014

DRAWN: T.J.O.

APPROVED: D.P.J.

DRWG. No. **CIH22105DST**

FORM: A4DRWGH