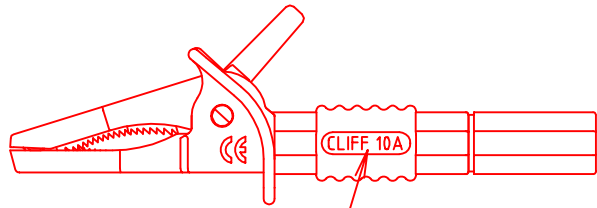
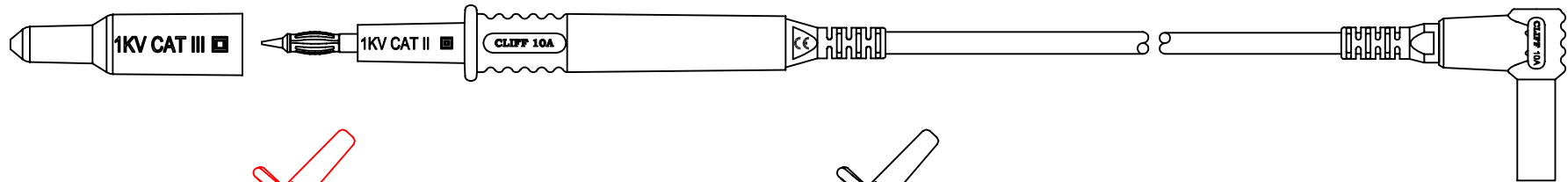
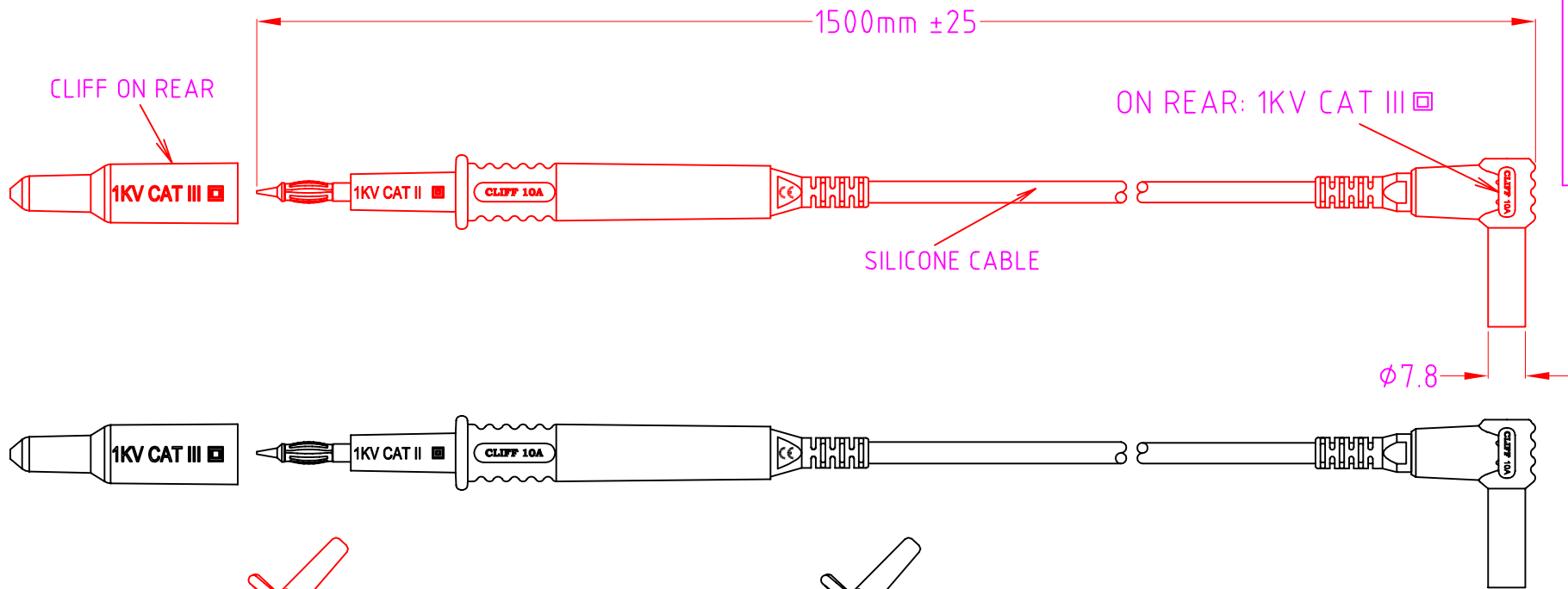
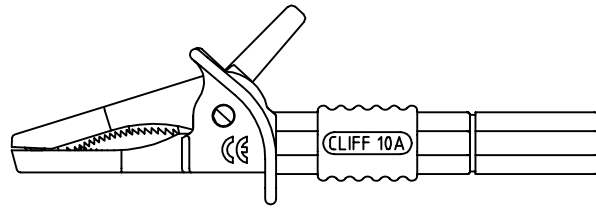


ISS.	AMEND	DATE
1	ISSUED	27/02/14

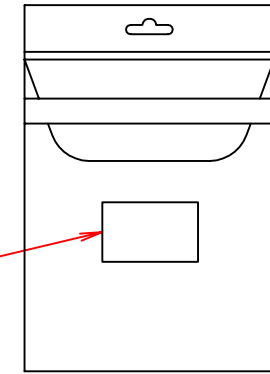
CAT III ADAPTORS SUPPLIED FITTED TO PROBE.



ON REAR: 1000V CAT II
600V CAT III



- KIT COMPRISES:**
- 1x RED LEAD ASSY
 - 1x BLACK LEAD ASSY
 - 1x RED CAT III ADAPTOR (FITTED)
 - 1x BLACK CAT III ADAPTOR (FITTED)
 - 1x RED EXTENDED CROC
 - 1x BLACK EXTENDED CROC



RoHS COMPLIANT

TOLERANCE

NO DEC. PLACE ±
1 DEC. PLACE ±
2 DEC. PLACE ±
HOLE Ø ±
ANGLES ±
UNLESS OTHERWISE STATED

WHEN ORDERING USE CLIFF PART NUMBER: CIH29890

Cliff Electronic Components Ltd. 76 Holmethorpe Avenue, Holmethorpe Industrial Estate, Redhill, Surrey, RH1 2PF, England, UK Tel: 01737-771375 Fax: 01737-766012 Website: www.cliffuk.co.uk	DIMENSIONS IN MILLIMETERS UNLESS OTHERWISE STATED. WORK TO DIMENSIONS. REMOVE ALL BURRS. IF IN DOUBT ASK.		3rd ANGLE PROJECTION:		DO NOT SCALE
	MATERIAL: COMPOSITE		TITLE: CLIFF 4mm 90° TPR1C CROC - RED / BLACK		
FINISH: CLEAN - RED / BLACK		DRAWN: T.J.O.		APPROVED: D.P.J.	
THE CONTENTS OF THIS DOCUMENT MUST NOT BE COPIED OR DISCLOSED TO A 3rd PARTY WITHOUT WRITTEN PERMISSION OF CLIFF UK. © 2014			DRWG. No. CIH29890DST		FORM: A4DRWGH