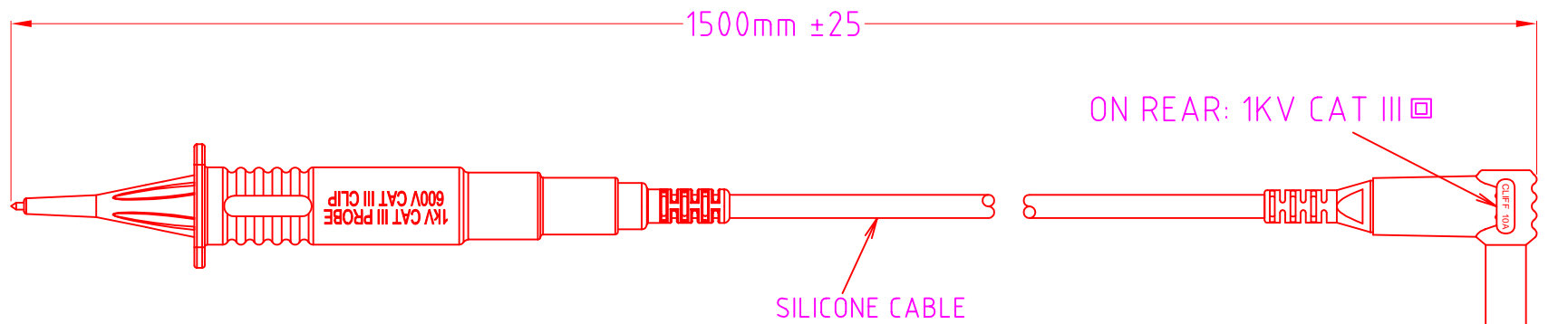
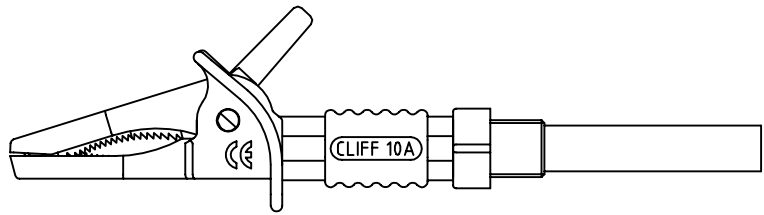
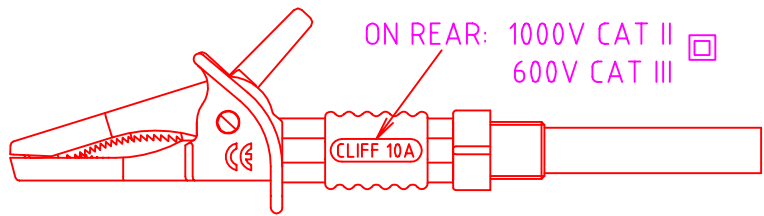
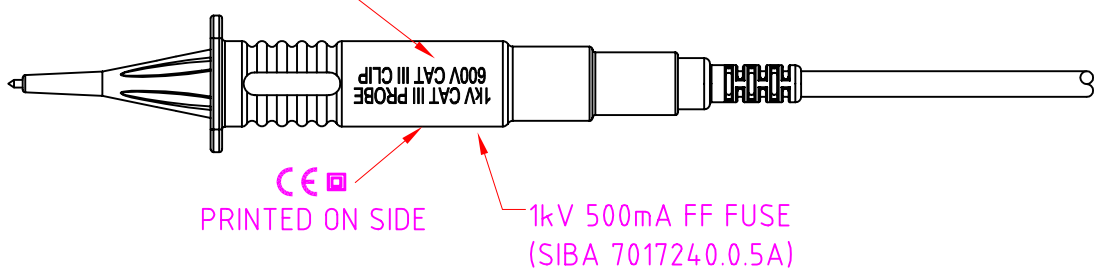


ISS.	AMEND	DATE
1	ISSUED	27/02/14

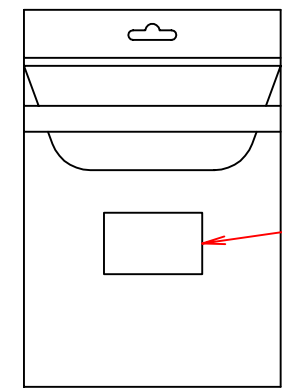
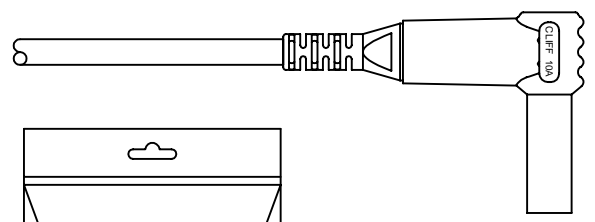


PRINTED ON REAR: FUSED 500mA FF  
1KV HBC 50kA

PRINTED ON FRONT: 1KV CAT III PROBE  
600V CAT III CLIP



- KIT COMPRISES:**
- 1x RED LEAD
  - 1x BLACK LEAD
  - 1x RED SCREW IN CROC CLIP
  - 1x BLACK SCREW IN CROC CLIP



WHEN ORDERING USE CLIFF PART NUMBER: CIH3007

<b>RoHS</b> COMPLIANT
<b>TOLERANCE</b>
NO DEC. PLACE ±
1 DEC. PLACE ±
2 DEC. PLACE ±
HOLE Ø ±
ANGLES ±
UNLESS OTHERWISE STATED

**Cliff Electronic Components Ltd.**  
76 Holmehorpe Avenue, Holmehorpe Industrial Estate,  
Redhill, Surrey, RH1 2PF, England, UK  
Tel: 01737-771375 Fax: 01737-766012 Website: www.cliffuk.co.uk

THE CONTENTS OF THIS DOCUMENT MUST NOT BE COPIED OR DISCLOSED TO A 3rd PARTY WITHOUT WRITTEN PERMISSION OF CLIFF UK. © 2014

DIMENSIONS IN MILLIMETERS UNLESS OTHERWISE STATED. WORK TO DIMENSIONS. REMOVE ALL BURRS. IF IN DOUBT ASK.

MATERIAL: COMPOSITE

FINISH: CLEAN

DRAWN: T.J.O.

APPROVED: D.P.J.

3rd ANGLE PROJECTION:

TITLE: 1.5m FUSED LEADSET - RED / BLACK

DRWG. No. **CIH3007DST**

DO NOT SCALE

FORM: A4DRWGH