

Datasheet

Item no. 1229316/ 1229323

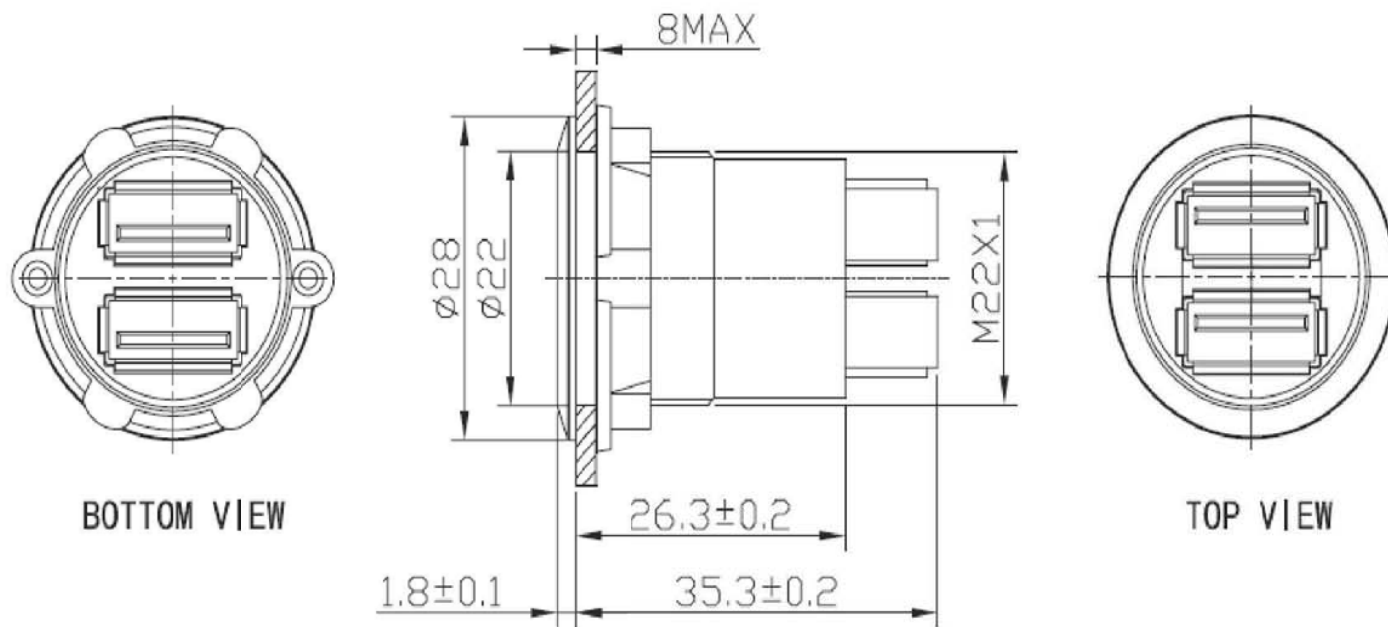
V1_0717_01_en

USB 2.0 Panel Jack, Ø22mm

Front: 2 x Female Type A

Back: 2 x Female Type A

Item no.: 1229316- Silver
1229323- Black



Specification	Front: 2 x Female Type A Back: 2 x Female Type A
Operating Temperature.....	-25°C ~ +55°C (NO-Freezing)
Operating Humidity.....	45~85%RH(NO Condensation)
Panel Thickness.....	1~10 mm
Body Material.....	Aluminium anodized (Silver color)
Transmission Rate	≥30MB/s

This is a publication by Conrad Electronic SE, Klaus-Conrad-Str. 1, D-92240 Hirschau (www.conrad.com).

All rights including translation reserved. Reproduction by any method, e.g. photocopy, microfilming, or the capture in electronic data processing systems require the prior written approval by the editor. Reprinting, also in part, is prohibited. This publication represents the technical status at the time of printing.

© Copyright 2017 by Conrad Electronic SE.