

DATASHEET

USB 2.0 Panel Jack, Ø22mm

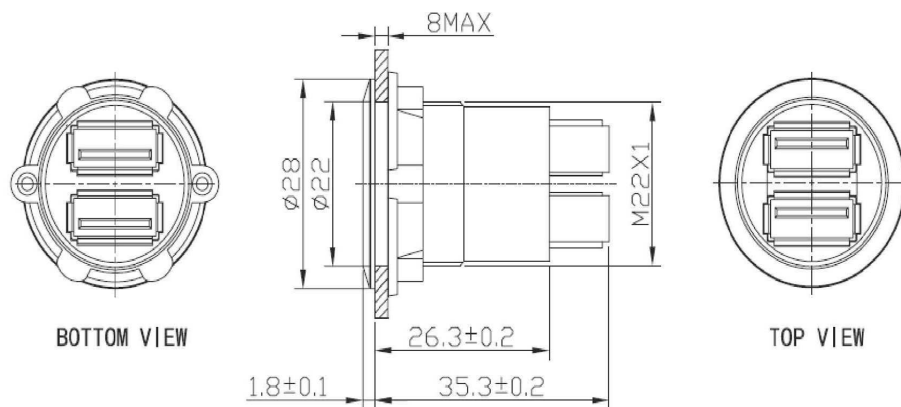
Front: 2 x Female Type A

Back: 2 x Female Type A

Version 03/17

Item no.: 1229316- Silver

1229323- Black



Specification	Front: 2 x Female Type A Back: 2 x Female Type A
Operating Temperature.....	-25°C ~ +55°C (NO-Freezing)
Operating Humidity.....	45~85%RH(NO Condensation)
Panel Thickness.....	1~10 mm
Body Material.....	Aluminium anodized (Silver color)
Transmission Rate	≥30MB/s