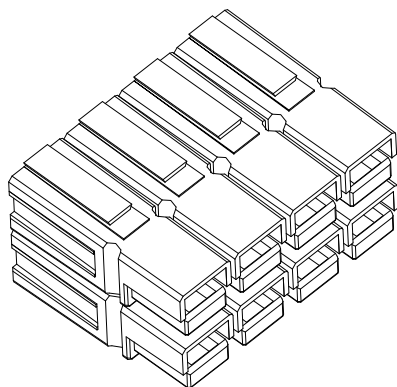
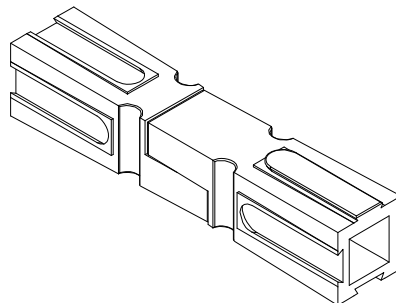
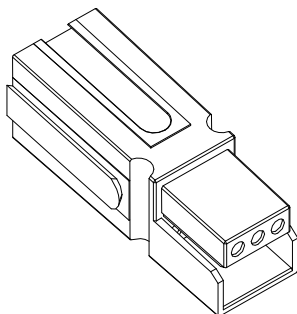


# 120Amp Single pole power connector

## SI120 series



- Features

Flat wiping contact system

Minimal contact resistance at high current, wiping action cleans Contact surface during connection/disconnection

- Interface is color-coded voltage

To prevent the erroneous insertion of the housing in different voltage

- Integrated housing

Durable structure

- No male and female design in

Can be quickly assembled to reduce component library

- Flexible application

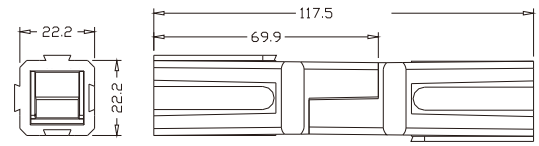
While meeting the board-wire, wire line connection

### Product specifications

Rated Current(Ampere)	120A
Rated Voltage(Voltage)	600V
Contact Barrel Wire Size(AWG)	2/ 4/6AWG (13.3mm <sup>2</sup> -21.1/33.6mm <sup>2</sup> )
Average contact resistance	0.05MΩ
Voltage proof	2200V(DC)
Insulation resistance	500MΩ
A. No load (Contact/Disconnect Cycles)	To10,000
B. Under Load (Hot Plug 250 cycles@120V)	60A
Average Unmating Force	85N
Flammability Rating of Housing Material	UL94 V-0
Operating temperature range	-20°to 105°
Contact material	Copper\Plating Silver

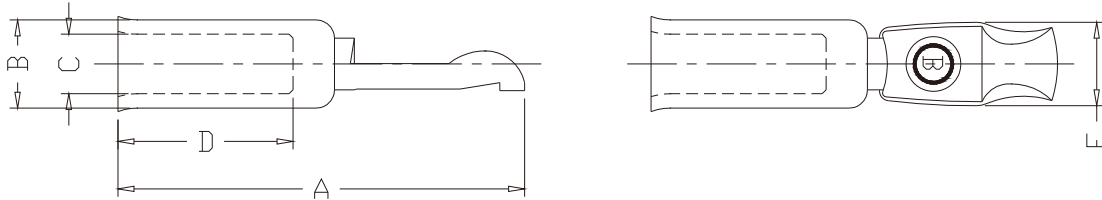
## Housings

Part numbers		Color	Voltage
RED	SI1321G3	RED	24V
Green	SI1321G4	Green	72V
Black	SI1321G1	Black	80V
White	SI1321G2	White	24V
Blue	SI1321	Blue	48V



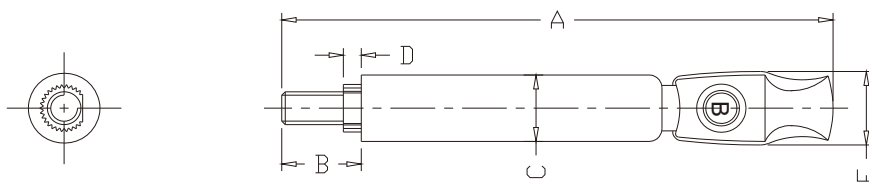
## Terminal

Part numbers	-A- (mm)	-B- (mm)	-C-(mm)	-D-(mm)	-E-(mm)	Wire(AWG\mm <sup>2</sup> )
SH1319G2	50.8	11.2	8.6	21.3	10.4	2AWG\33.6 mm <sup>2</sup>
SH1319G4	50.8	11.2	7.6	21.3	10.4	4AWG\21.1 mm <sup>2</sup>
SH1319G6	50.8	11.2	5.6	21.3	10.4	6AWG\13.3 mm <sup>2</sup>



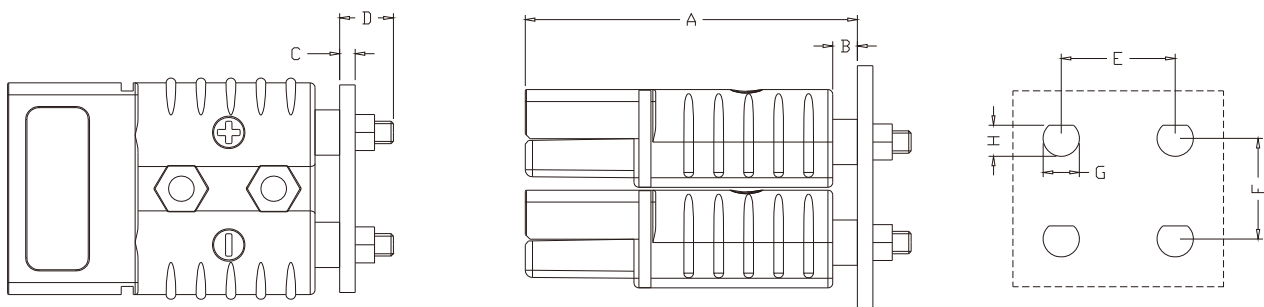
## PCB Terminal

Part numbers	-A- (mm)	-B- (mm)	-C-(mm)	-D-(mm)	-E-(mm)	Wire(AWG\mm <sup>2</sup> )
SH5075BBS	70	17.1	7.0	2.0	7.3	#10-24THD



## PCB Terminal

Part numbers	-A- (mm)	-B- (mm)	-C-(mm)	-D-(mm)	-E-(mm)	-F-(mm)	-G-(mm)	-H-(mm)
SH5075BBS	53.6	5.6	3.2~12.7	17.1	19.0	17.0	6.8	6.2



# Temperature rise charts

