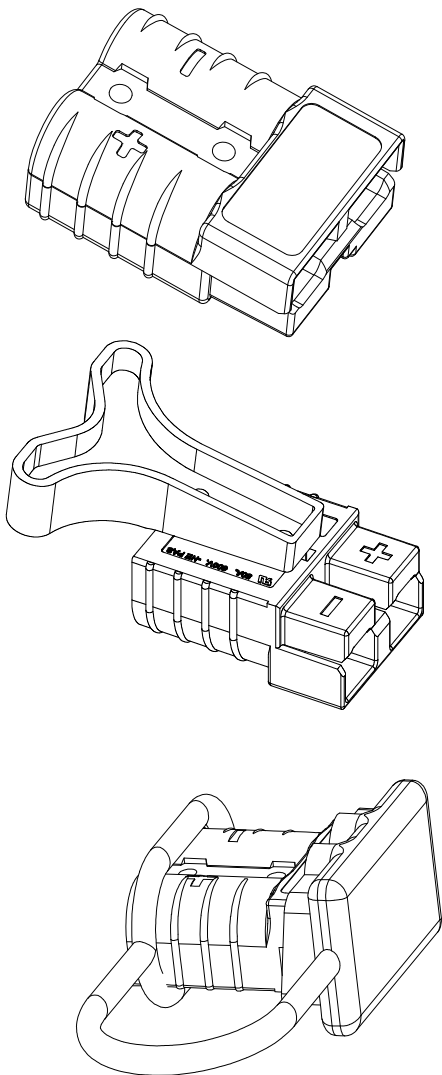


50Amp 2 poles Power Connectors

SH50 series



FEATURES & BENEFITS

- Genderless Housings

Provide simplified assembly and minimize the number of components

- Low Resistance Connection

Silver or tin plated copper contacts inside housings that strongly force the contacts together

- Hot Plugging AC or DC

Contacts feature a sacrificial tip that allows high current circuit interrupt

- Keyed & Color Coded Housings

Prevents accidental cross mating of circuits

- Self Securing Design

Stainless steel springs create a robust force between the contacts that holds the connector in the mated position

- Auxiliary or Ground Positions

For signal transmission or the added safety of a prime ground position

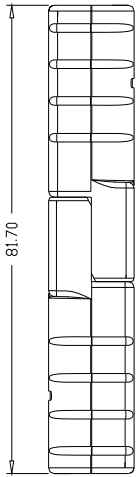
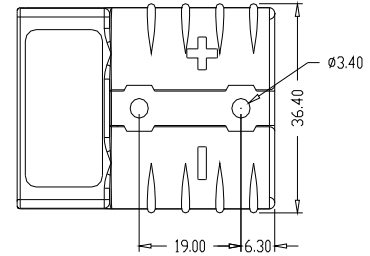
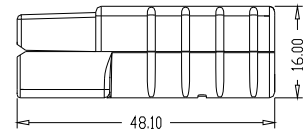
Product specifications

Rated Current (Amperes)	50A
Rated Voltage (Voltage)	50V DC max.
Contact Barrel Wire Size (AWG)	6AWG/ 10/12AWG (13.3mm ² -5.3/3.3mm ²)
Average contact resistance	0.05MΩ
Voltage proof	2200V (DC)
Insulation resistance	500MΩ
A. No load (Contact/Disconnect Cycles)	To10,000
B. Under Load (Hot Plug 250 cycles@120V)	50A
Average Unmating Force	53N
Flammability Rating of Housing Material	UL94 V-0
Operating temperature range	-20° to 125°
Contact material	Copper\Plating Silver

Housings

Part Numbers	
Yellow	SH992G5
Orange	SH992G7
Red	SH992G1
Gray	SH992
Blue	SH992G4
Green	SH992G6
Black	SH992G2

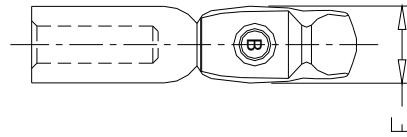
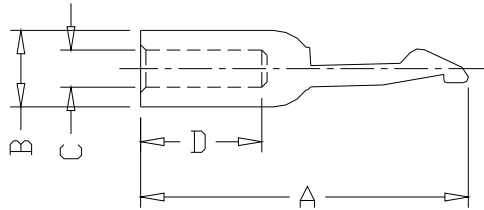
Color	Voltage
Yellow	12V
Orange	18V
Red	24V
Gray	36V
Blue	48V
Green	50V
Black	50V



NOTE: SH50 Black and Gray housings have the same keying features and can be connect.

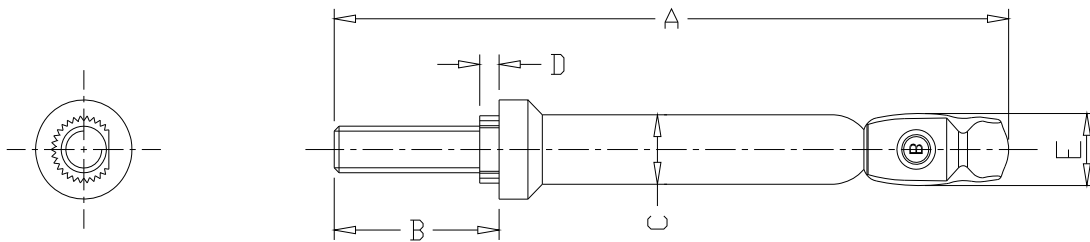
Terminal

Part Numbers	-A- (mm)	-B- (mm)	-C-(mm)	-D-(mm)	-E-(mm)	Wire(AWG\mm ²)
SH5900	31	7.2	5.6	11.4	7.3	6AWG\13.3 mm ²
SH5952	31	7.2	4.7	11.4	7.3	8AWG\8.4 mm ²
SH5915	31	7.2	3.5	11.4	7.3	10to12AWG\3.3to5.3 mm ²



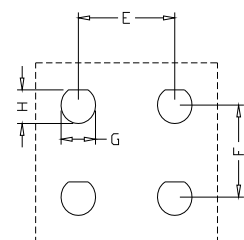
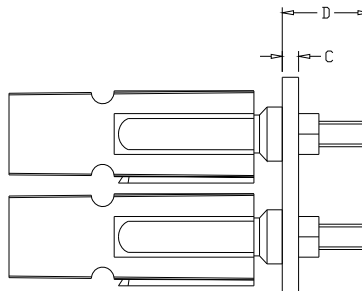
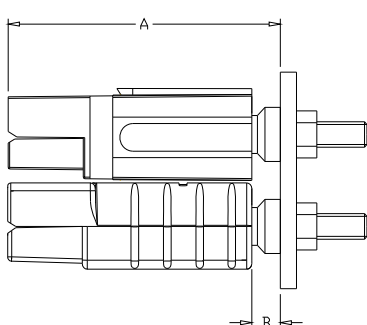
PCB Terminal

Part Numbers	-A- (mm)	-B- (mm)	-C-(mm)	-D-(mm)	-E-(mm)	Wire(AWG\mm ²)
SH5075BBS	70	17.1	7.0	2.0	7.3	#10-24THD

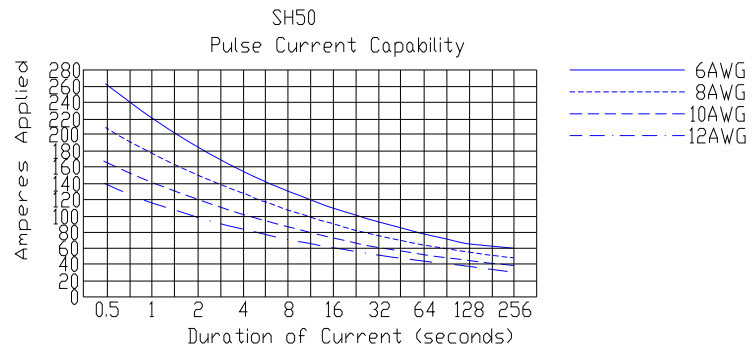
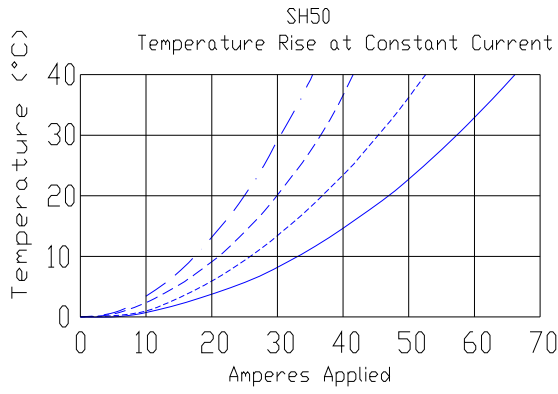


Bus Bar Mounting Table

Part Numbers	-A- (mm)	-B- (mm)	-C-(mm)	-D-(mm)	-E-(mm)	-F-(mm)	-G-(mm)	-H-(mm)
SH5075BBS	53.6	5.6	3.2~12.7	17.1	19.0	17.0	6.8	6.2

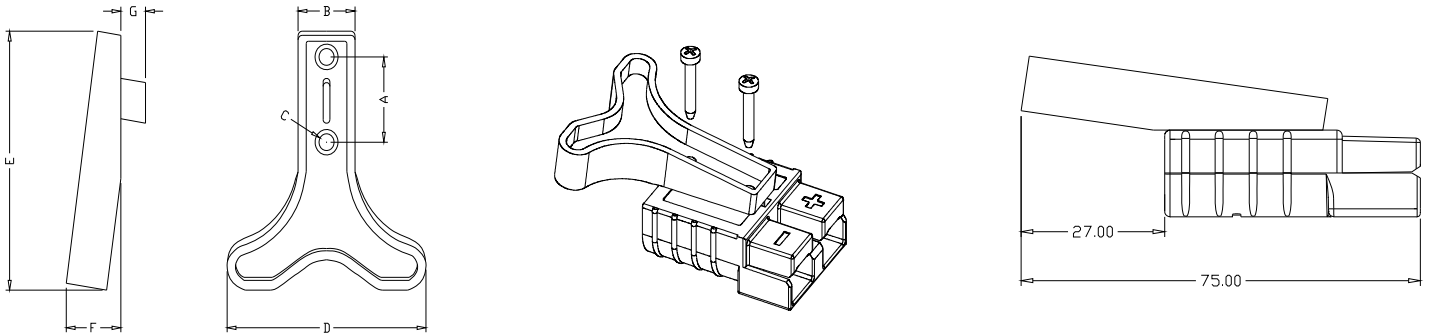


Temperature rise charts



Handle

Part Numbers	-A- (mm)	-B- (mm)	-C-(mm)	-D-(mm)	-E-(mm)	-F-(mm)	-G-(mm)	Colour
SH113899P1	19.1	14.5	3.5	49.5	57.8	13.5	6.3	RED



Dust Cover

Part Numbers	-A- (mm)	-B- (mm)	-C-(mm)	Color
SH134G1	46.5	51.6	27.9	RED

