

# Device connector, front mounting - CA-12S1N8A6Y00 - 1619863

Please be informed that the data shown in this PDF Document is generated from our Online Catalog. Please find the complete data in the user's documentation. Our General Terms of Use for Downloads are valid (<http://download.phoenixcontact.com>)



Device connector for front wall, straight, shielded: Yes, SPEEDCON locking, M23, Number of positions: 12, Type of contact: Socket, Crimp connection, Seal, axial, Central fixing

## Key commercial data

package_quantity	1
GTIN	4046356821032

## classifications

### eCl@ss

eCl@ss 4.0	272607xx
eCl@ss 4.1	27260701
eCl@ss 5.0	27143424
eCl@ss 5.1	27143424
eCl@ss 6.0	27143424
eCl@ss 7.0	27440209
eCl@ss 8.0	27440209

### ETIM

ETIM 3.0	EC001121
ETIM 4.0	EC002635
ETIM 5.0	EC002635

### UNSPSC

UNSPSC 6.01	43172015
UNSPSC 7.0901	43201404
UNSPSC 11	43172015
UNSPSC 12.01	43201404
UNSPSC 13.2	43201404

## accessories

### Protective cover

## Device connector, front mounting - CA-12S1N8A6Y00 - 1619863

### accessories

SF-Z0019 - 1607449



RC-Z2059 - 1604225



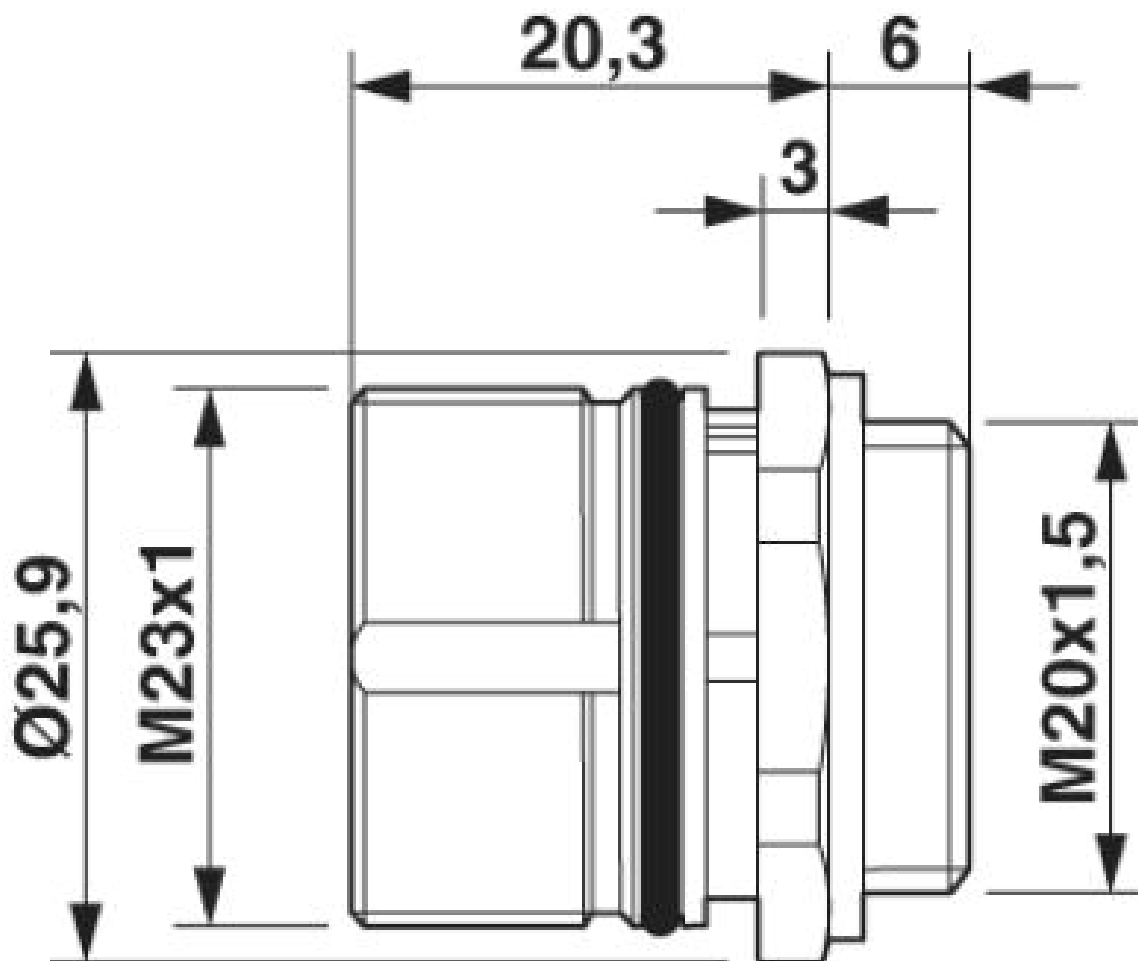
RC-Z2469 - 1611797



### Drawings

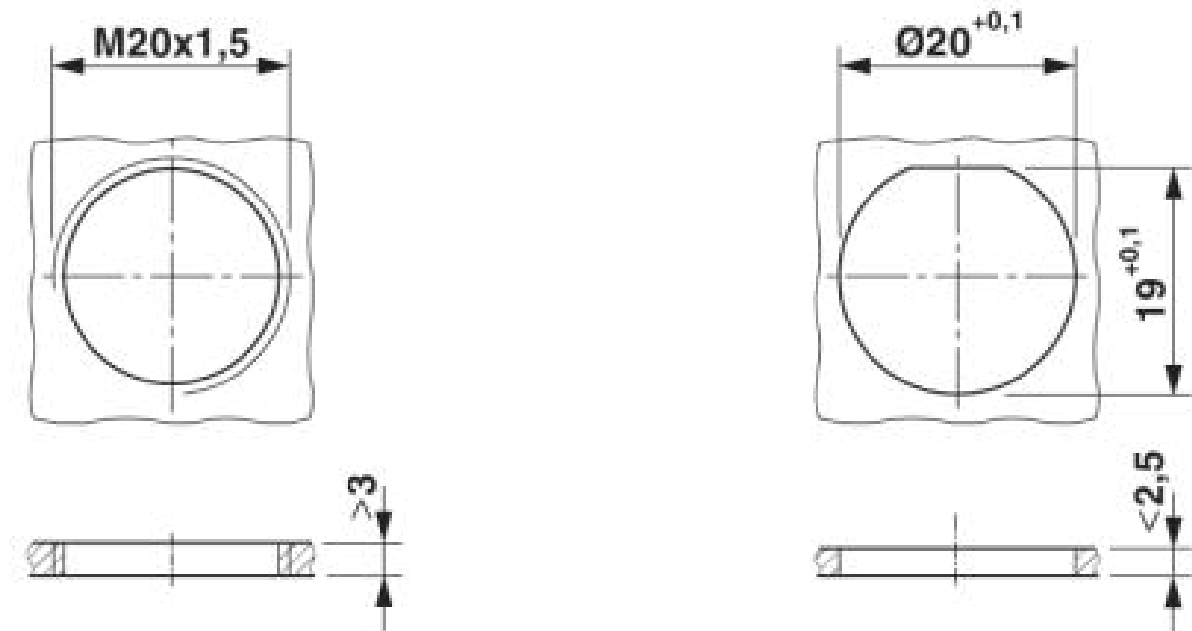
# Device connector, front mounting - CA-12S1N8A6Y00 - 1619863

Dimensioned drawing



# Device connector, front mounting - CA-12S1N8A6Y00 - 1619863

Dimensioned drawing



Installation dimensions

# Device connector, front mounting - CA-12S1N8A6Y00 - 1619863

Schematic diagram

