

Device connector, front mounting - CA-12P1N8A2S00 - 1619966

Please be informed that the data shown in this PDF Document is generated from our Online Catalog. Please find the complete data in the user's documentation. Our General Terms of Use for Downloads are valid (<http://download.phoenixcontact.com>)



Device connector for front wall, straight, shielded: Yes, SPEEDCON locking, M23, Number of positions: 12, Type of contact: Male connector, Crimp connection, Flat gasket, 4xØ3,2

Key commercial data

| | |
|------------------|---------------|
| package_quantity | 1 |
| GTIN | 4046356820165 |

classifications

eCl@ss

| | |
|------------|----------|
| eCl@ss 4.0 | 272607xx |
| eCl@ss 4.1 | 27260701 |
| eCl@ss 5.0 | 27143424 |
| eCl@ss 5.1 | 27143424 |
| eCl@ss 6.0 | 27143424 |
| eCl@ss 7.0 | 27440209 |
| eCl@ss 8.0 | 27440209 |

ETIM

| | |
|----------|----------|
| ETIM 3.0 | EC001121 |
| ETIM 4.0 | EC002635 |
| ETIM 5.0 | EC002635 |

UNSPSC

| | |
|---------------|----------|
| UNSPSC 6.01 | 43172015 |
| UNSPSC 7.0901 | 43201404 |
| UNSPSC 11 | 43172015 |
| UNSPSC 12.01 | 43201404 |
| UNSPSC 13.2 | 43201404 |

accessories

Protective cover

Device connector, front mounting - CA-12P1N8A2S00 - 1619966

accessories

SF-Z0019 - 1607449



RC-Z2059 - 1604225



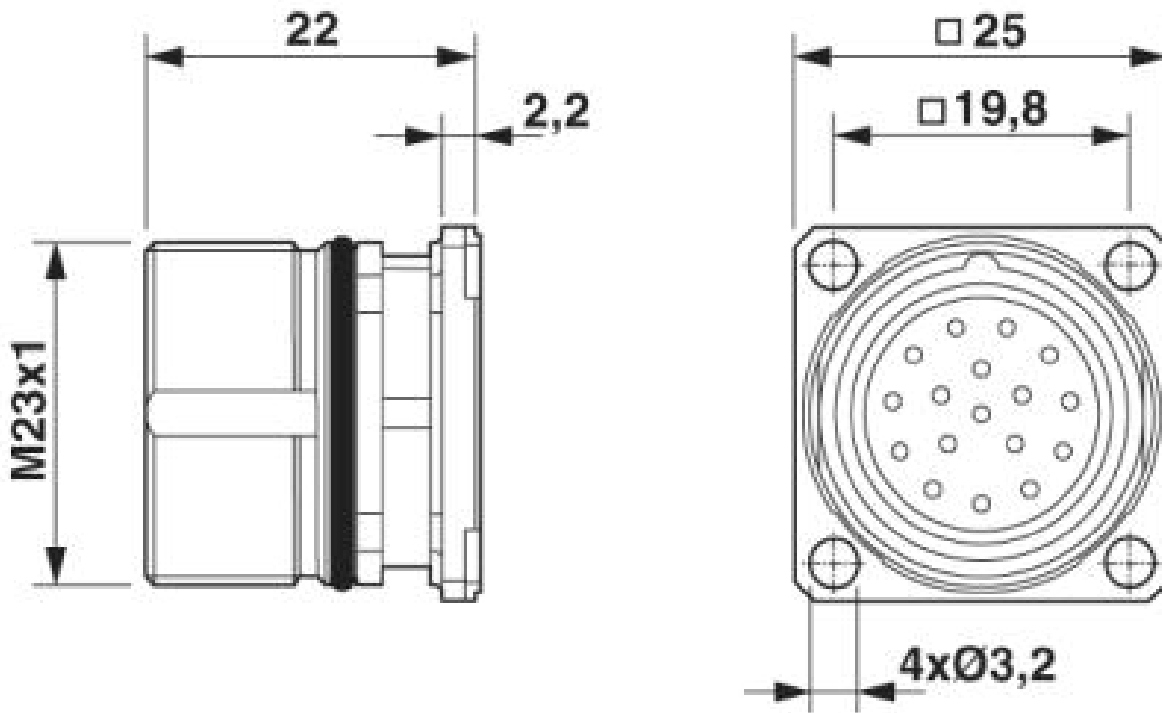
RC-Z2469 - 1611797



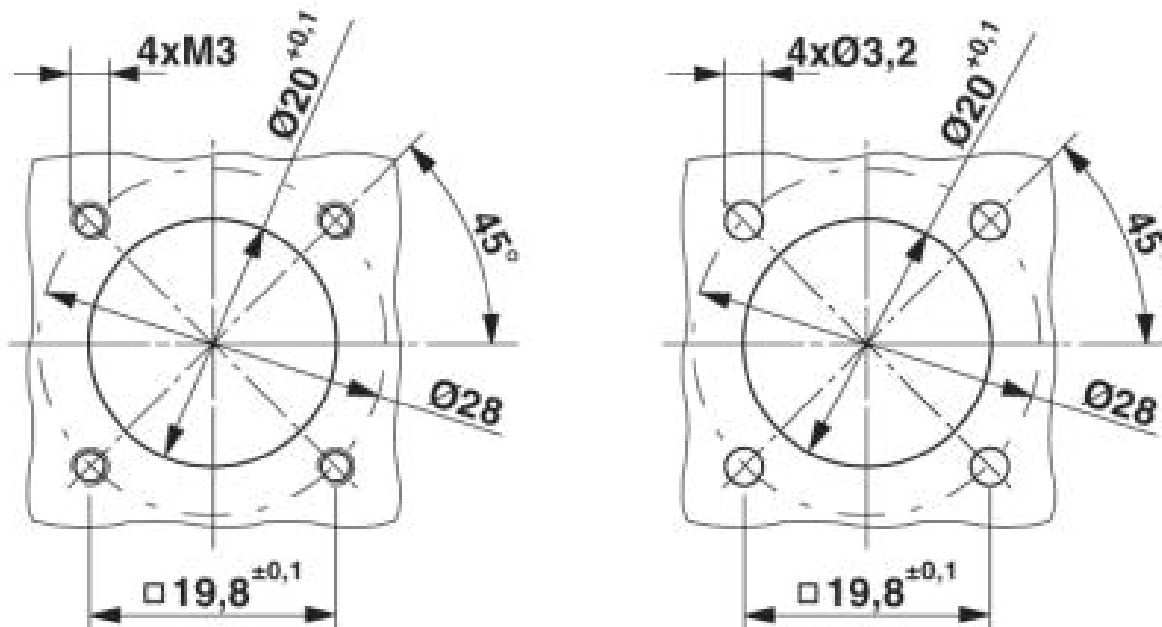
Drawings

Device connector, front mounting - CA-12P1N8A2S00 - 1619966

Dimensioned drawing



Dimensioned drawing



Installation dimensions

Device connector, front mounting - CA-12P1N8A2S00 - 1619966

Schematic diagram

