

## Device connector, front mounting - CA-06S1N8A2S00 - 1619991

Please be informed that the data shown in this PDF Document is generated from our Online Catalog. Please find the complete data in the user's documentation. Our General Terms of Use for Downloads are valid (<http://download.phoenixcontact.com>)



Device connector for front wall, straight, shielded: Yes, SPEEDCON locking, M23, Number of positions: 6, Type of contact: Socket, Crimp connection, Flat gasket, 4xØ3,2

### Key commercial data

package_quantity	1
GTIN	4046356820035

### classifications

#### eCl@ss

eCl@ss 4.0	272607xx
eCl@ss 4.1	27260701
eCl@ss 5.0	27143424
eCl@ss 5.1	27143424
eCl@ss 6.0	27143424
eCl@ss 7.0	27440209
eCl@ss 8.0	27440209

#### ETIM

ETIM 3.0	EC001121
ETIM 4.0	EC002635
ETIM 5.0	EC002635

#### UNSPSC

UNSPSC 6.01	43172015
UNSPSC 7.0901	43201404
UNSPSC 11	43172015
UNSPSC 12.01	43201404
UNSPSC 13.2	43201404

### accessories

#### Protective cover

## Device connector, front mounting - CA-06S1N8A2S00 - 1619991

accessories

SF-Z0019 - 1607449



RC-Z2059 - 1604225



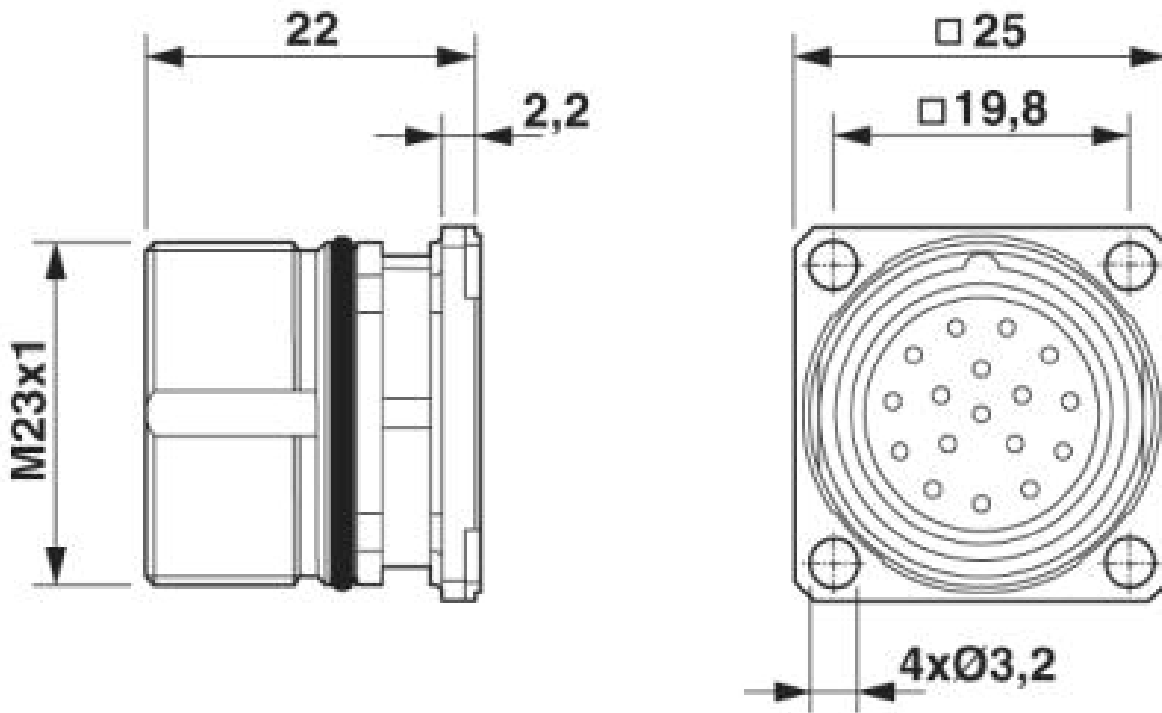
RC-Z2469 - 1611797



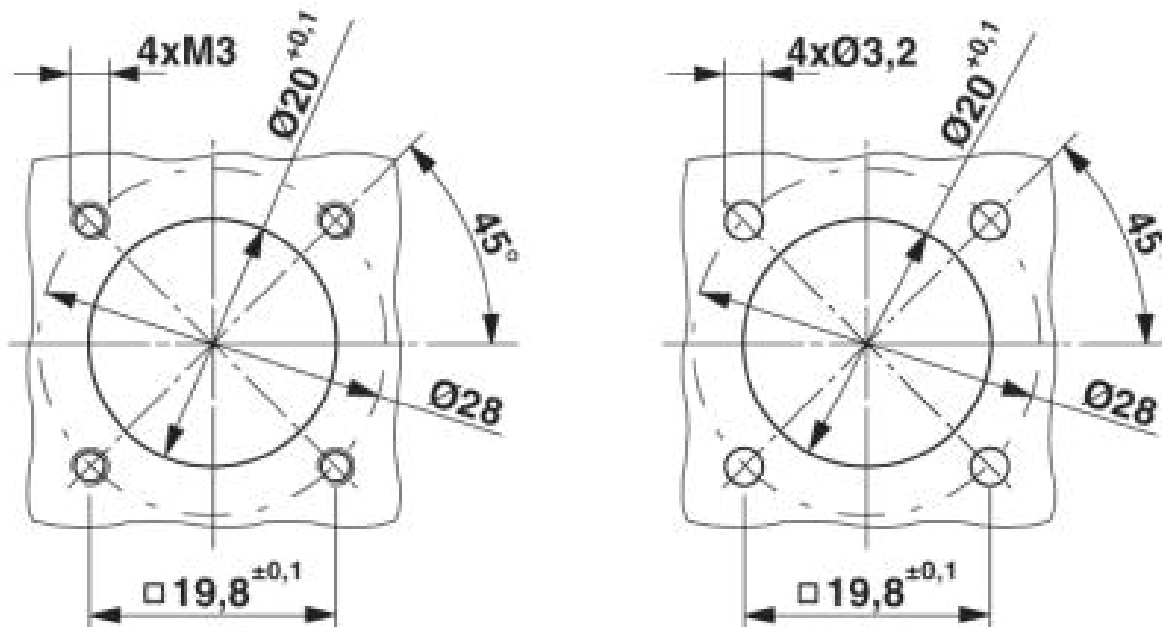
Drawings

# Device connector, front mounting - CA-06S1N8A2S00 - 1619991

Dimensioned drawing



Dimensioned drawing



Installation dimensions

# Device connector, front mounting - CA-06S1N8A2S00 - 1619991

Schematic diagram

