

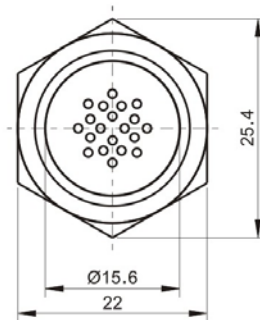
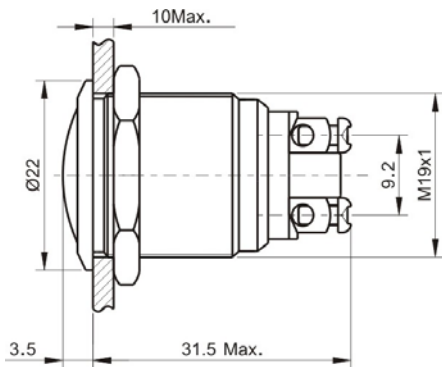
Datasheet

Item no. 1231435

V1_0717_01_en

Φ19 mm, incontinuous buzzer, 12 V/DC

Item no. 1231435



Rating voltage	12 V/DC
Max current	≤28 mA
Dielectric intensity	1000 V
Operating and storage temperature	-20 to +55 °C
Operating and storage humidity	45 to 85 % RH
Panel thickness	0.5 to 10 mm
Sound intensity	≥75 dB(1m)
Head material	stainless steel
Crust material	stainless steel
Base material	PBT

This is a publication by Conrad Electronic SE, Klaus-Conrad-Str. 1, D-92240 Hirschau (www.conrad.com).
 All rights including translation reserved. Reproduction by any method, e.g. photocopy, microfilming, or the capture in electronic data processing systems require the prior written approval by the editor. Reprinting, also in part, is prohibited. This publication represents the technical status at the time of printing.

© Copyright 2017 by Conrad Electronic SE.