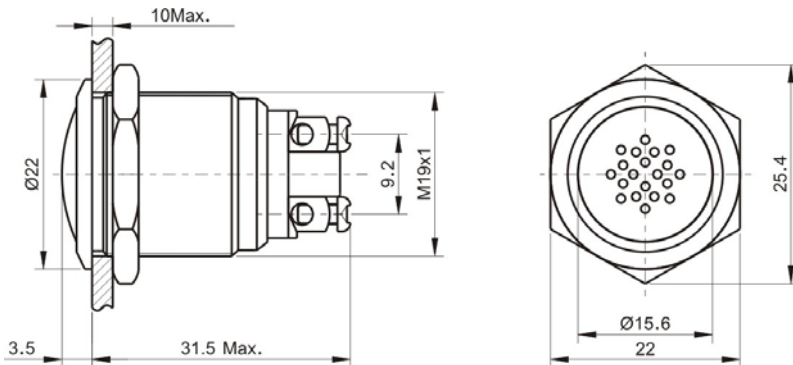


### Φ19 mm, incontinuous buzzer, 12 V/DC

Version 08/14

Item no. 1231435



|                                         |                 |
|-----------------------------------------|-----------------|
| Specification .....                     | GQ19B-JM/12V    |
| Rating voltage .....                    | 12 V/DC         |
| Max current .....                       | ≤28 mA          |
| Dielectric intensity .....              | 1000 V          |
| Operating and storage temperature ..... | -20 to +55 °C   |
| Operating and storage humidity .....    | 45 to 85 % RH   |
| Panel thickness .....                   | 0.5 to 10 mm    |
| Sound intensity .....                   | ≥75 dB(1m)      |
| Head material .....                     | stainless steel |
| Crust material .....                    | stainless steel |
| Base material .....                     | PBT             |