

A20B-V4E20R



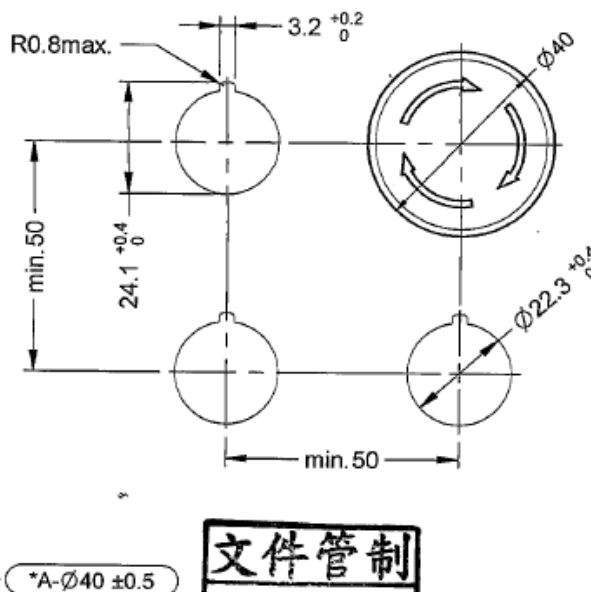
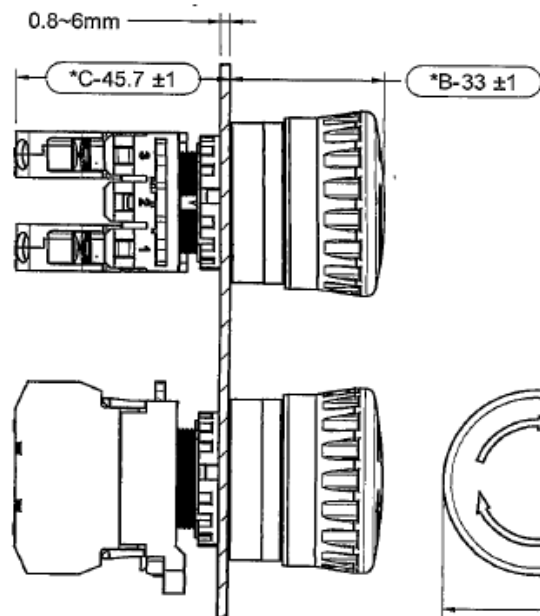
- R : Red
- 20 : 2NO
- E : Standard
- 4 : Mushroom
- V : Emergency Stop
- A20B : Type

Product Specifications

Mechanical life	: >0.25 million operations
Electrical life	: >0.1 million operations
Rated insulation voltage	: 600V
Rated thermal current	: 10A
Insulation resistance	: 100MΩ
Dielectric strength	: 2500V AC , 1 minute
Panel thickness	: 0.8mm ~ 6mm
Degree of protection	: IP 65
Storage temperature	: -45°C to +85°C
Operating temperature	: -25°C to +55°C

Screw Type Emergency Stop Switches

Hole Dia



Contact Block Mounting Position

Contact	Operator Position		
	Free	Push	—
1	NO	●	
2			
3	NO	●	

●=On(closed contact)
blank=Off(open contact)

Contact Ratings

Rated Insulation Voltage		600V			
Rated Thermal Current		10A			
Operating Voltage		24V	120V	240V	380V
AC 50/60 Hz	Resistive Load (AC-12)	10A	10A	6A	2A
	Inductive Load (AC-15)	10A	6A	3A	1.9A
DC	Resistive Load (DC-12)	8A	2.2A	1.1A	—
	Inductive Load (DC-13)	4A	1.1A	0.55A	—

Distributed by Conrad Electronic SE

文件管制
MAY 14, 2013
文管中心

DECA SwitchLab Inc.			PART NAME	UNIT	SCALE
			Emergency Stop Switches (2NO)	MM	1 : 0.7
DESIGN	CHECK	APPROVE	DRAWING NO.		SHEET
DATE	DATE	DATE	A20B-V4E20R		1 / 1

B			2013/05/14	Jim	Kingdom	吳智遠
REV.	NOTE	CHANGE DESCRIPTION	DATE	DESIGN	CHECK	APPROVE