

A20B-V4E12R



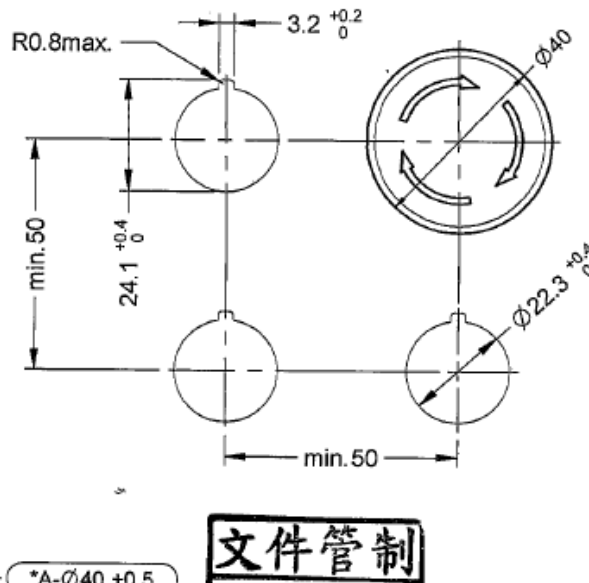
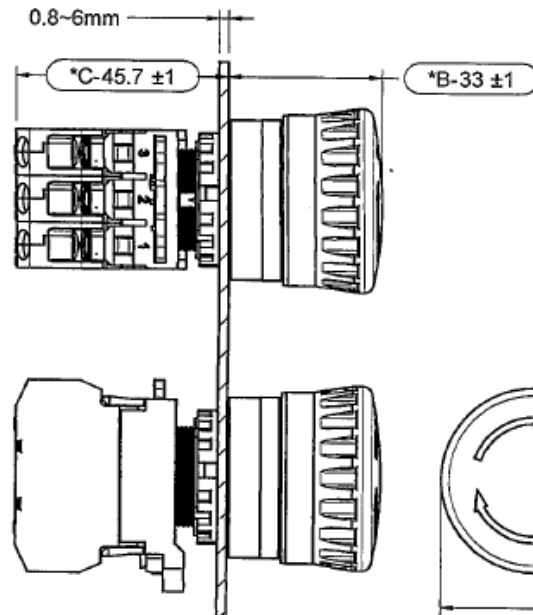
- R : Red
- 12 : 1NO+2NC
- E : Standard
- 4 : Mushroom
- V : Emergency Stop
- A20B : Type

Product Specifications

- Mechanical life : >0.25 million operations
- Electrical life : >0.1 million operations
- Rated insulation voltage : 600V
- Rated thermal current : 10A
- Insulation resistance : 100MΩ
- Dielectric strength : 2500V AC ,1 minute
- Panel thickness : 0.8mm ~ 6mm
- Degree of protection : IP 65
- Storage temperature : -45°C to +85°C
- Operating temperature : -25°C to +55°C

Screw Type Emergency Stop Switches

Hole Dia



Contact Block Mounting Position

Contact	Operator Position		
	Free	Push	—
1	NO	●	—
2	NC	●	—
3	NC	●	—

●=On(closed contact)
blank=Off(open contact)

Contact Ratings

Rated Insulation Voltage		600V			
Rated Thermal Current		10A			
Operating Voltage		24V	120V	240V	380V
AC	Resistive Load (AC-12)	10A	10A	6A	2A
	Inductive Load (AC-15)	10A	6A	3A	1.9A
DC	Resistive Load (DC-12)	8A	2.2A	1.1A	—
	Inductive Load (DC-13)	4A	1.1A	0.55A	—

Distributed by Conrad Electronic SE

文件管制
MAY 14. 2013
文管中心

DECA SwitchLab Inc.

PART NAME	UNIT	SCALE
Emergency Stop Switches (1NO+2NC)	MM	1 : 0.7
DRAWING NO.	SHEET	
A20B-V4E12R	1 / 1	

DESIGN	CHECK	APPROVE	DATE	DATE	DATE	
Jim	[Signature]	[Signature]	2013.5.14	2013/5/4	2013.5.14	
REV.	NOTE	CHANGE DESCRIPTION	DATE	DESIGN	CHECK	APPROVE