

A20L-V4E02Q□R



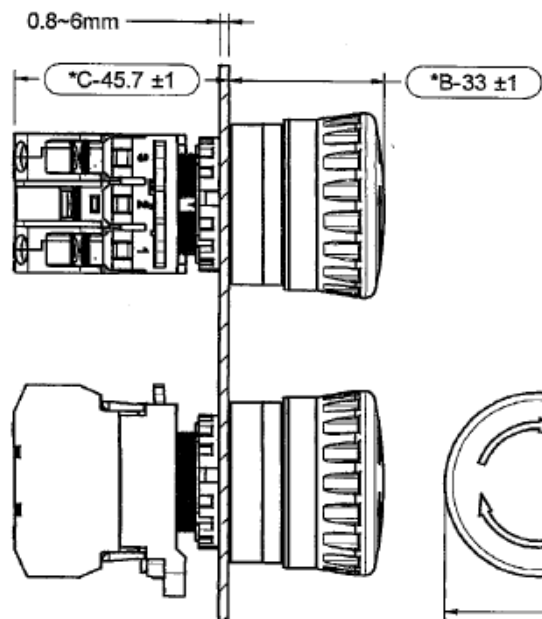
R : Red
 Q□ : Lamp
 02 : 2NC
 E : Standard
 4 : Mushroom
 V : Emergency Stop
 A20L : Type

0: Without Lamp
 LED
 2: 6V AC/DC
 3: 12V AC/DC
 4: 24V AC/DC
 H: 110V AC/DC
 M3: 230/240V AC/DC
 Incandescent
 5: 6V AC/DC
 6: 12V AC/DC
 7: 24V AC/DC

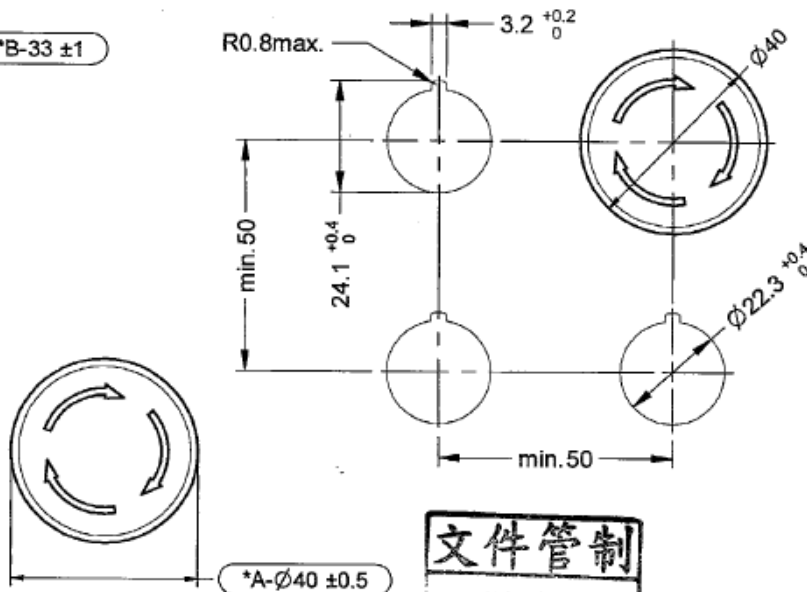
Product Specifications

Mechanical life : >0.25 million operations
 Electrical life : >0.1 million operations
 Rated insulation voltage : 600V
 Rated thermal current : 10A
 Insulation resistance : 100MΩ
 Dielectric strength : 2500V AC , 1 minute
 Panel thickness : 0.8mm ~ 6mm
 Degree of protection : IP 65
 Storage temperature : -45°C to +85°C
 Operating temperature : -25°C to +55°C

Screw Type Illuminated Emergency Stop Switches



Hole Dia



Contact Block Mounting Position

Contact	Operator Position		
	Free	Push	—
1	NC	●	
2			
3	NC	●	

●=On(closed contact)
 blank=Off(open contact)

Contact Ratings

Rated Insulation Voltage		600V			
Rated Thermal Current		10A			
Operating Voltage		24V	120V	240V	380V
AC	Resistive Load (AC-12)	10A	10A	6A	2A
	Inductive Load (AC-15)	10A	6A	3A	1.9A
DC	Resistive Load (DC-12)	8A	2.2A	1.1A	—
	Inductive Load (DC-13)	4A	1.1A	0.55A	—

Distributed by Conrad Electronic SE

文件管制
 AUG 05, 2013
 文管中心

DECA

PART NAME	UNIT	SCALE
Illuminated Emergency Stop Switches (2NC)	MM	1 : 0.7
DRAWING NO.		SHEET
A20L-V4E02QxR		1 / 1

D			2013/08/05	Jim	Kingdom	吳智遠
REV.	NOTE	CHANGE DESCRIPTION	DATE	DESIGN	CHECK	APPROVE

DESIGN	CHECK	APPROVE
DATE	DATE	DATE
2012.8.5	2013.8.5	2012.8.5