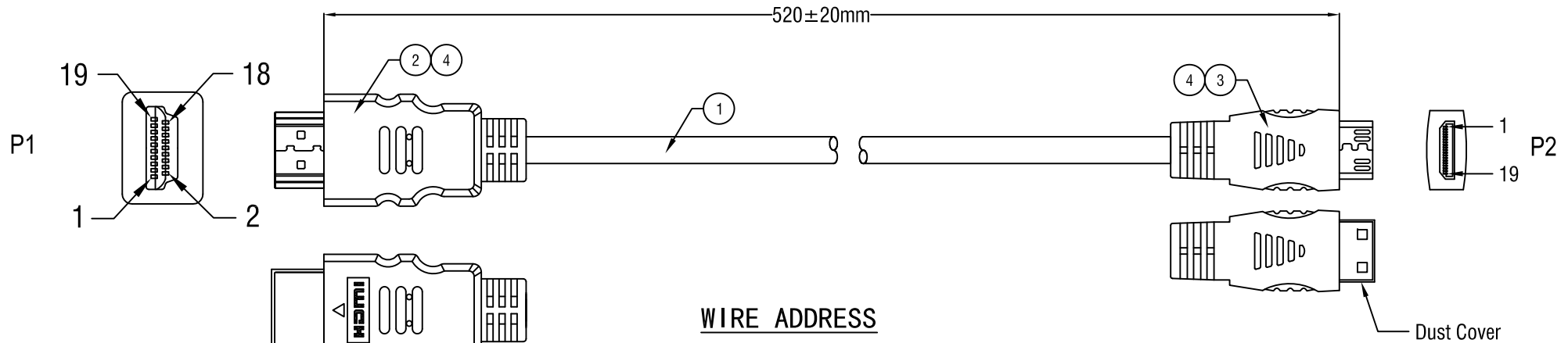
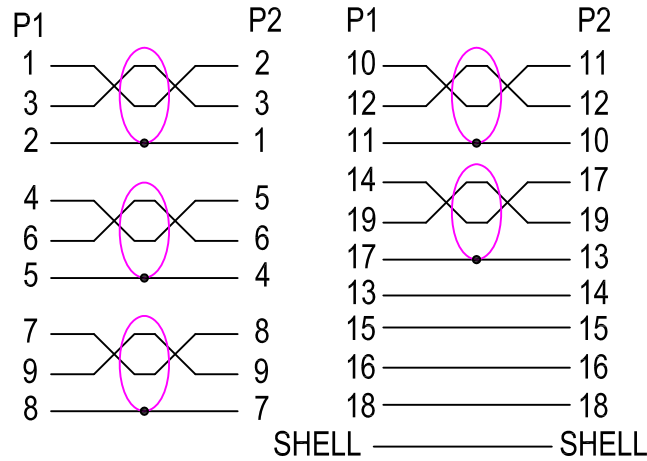


RoHS Compliant



WIRE ADDRESS



Electrical Test:

- 1.100% TEST OPEN SHORT MIS-WIRE
- 2.CONTACT RESISTANCE:3Ω MAX.
- 3.INSULATION RESISTANCE:5MΩ MIN.
- 4.HI-PORT:300V DC/10MS

D		
C		
B		
VER.A	REVISE	DATE

Company: CONRAD

Item		
Draw	Kobe	Date: 2015.12.02
Approval		
Duty	F16	

NUMBER	PRODUCT SPECIFICATIONS	Quantity	Unit
4	45P PVC BLACK		G
3	Mini HDMI 19P MALE(BLACK INSULATION GOLD PLATED)	1	PCS
2	HDMI 19P MALE (BLACK INSULATION GOLD PLATED)	1	PCS
1	UL20276 (32#*1P+AL+D)*5C+32#*4C+AEB, OD=4.5mm BLACK COLOR PVC JACKET(BC)	1	PCS