

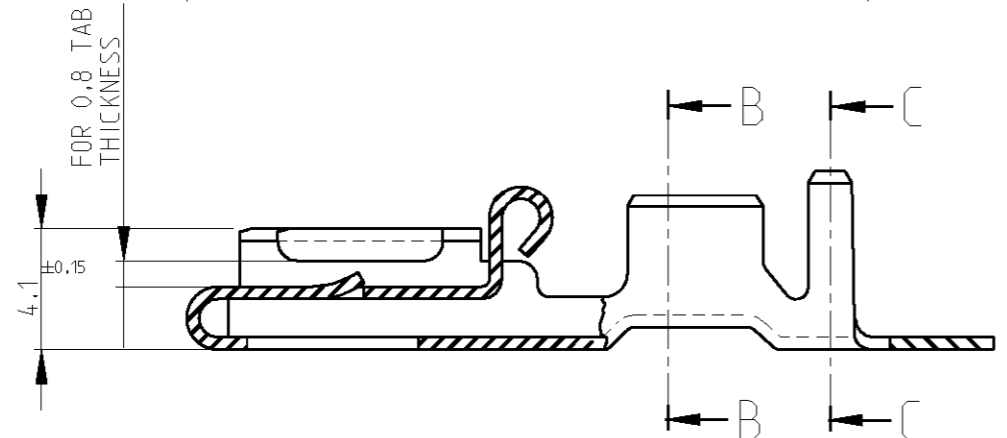
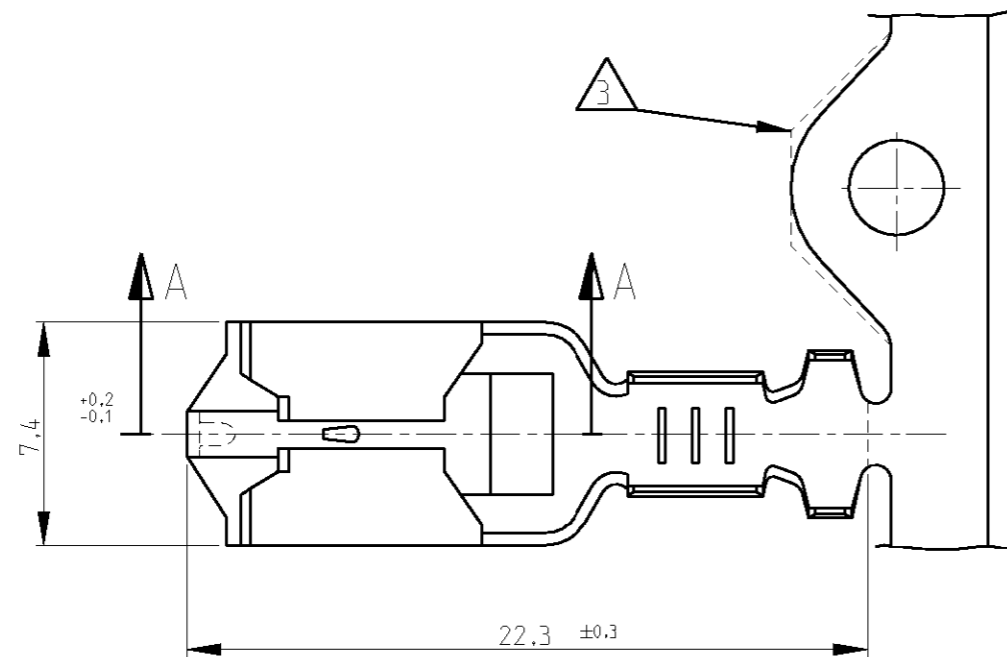
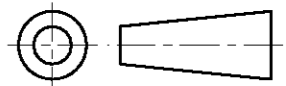
DO NOT SCALE

DIMENSIONS IN mm

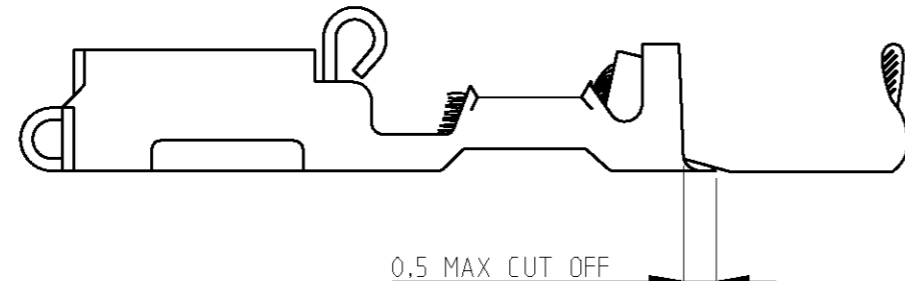
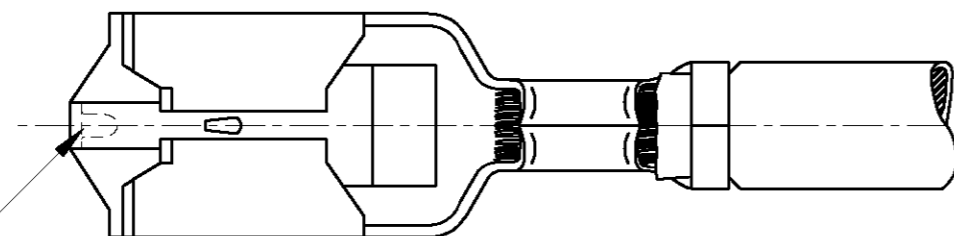
METRIC

THIRD ANGLE

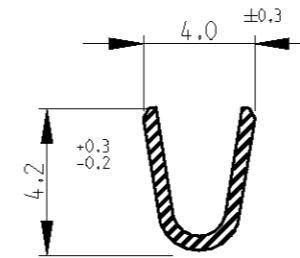
PROJECTION



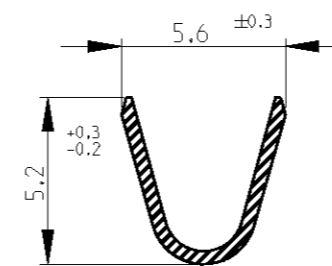
SECTION A-A



WIRE RANGE :	1.0-2.5 mm?
INSULATION RANGE :	3.0-4.3mm DIA.



SECTION B-B



SECTION C-C

NOTES:

- 1 FOR USE ON MINIATURE APPLICATOR (LEFT-RIGHT FEED)
- 2 REELED WITH PAPER.
- 3 CONFIGURATION OF CARRIER-STRIP OPTIONAL.
- 4 FOR USE ON MINIATURE APPLICATOR (LEFT-RIGHT FEED) AMP-O-MATOR APPLICATION.
- 5 OBSOLETE PARTS: OBSOLETE CIS STREAMLINING PER D.RENAUD/D.SINISI

5 OBSOLETE	PRE-TIN PLATED	PH.BRONZE	4	<del>6-160831-8</del>
	PRE-TIN PLATED	BRASS	4	<del>6-160831-7</del>
5 OBSOLETE	TIN PLATED	PH.BRONZE	4	1-160831-2
	UNPLATED	BRASS	4	1-160831-1
5 OBSOLETE	TIN PLATED	BRASS	4	<del>1-160831-0</del>
	UNPLATED	NICKEL-SILVER		0-160831-9
5 OBSOLETE	SILVERPLATED	PH.BRONZE		<del>0-160831-8</del>
	SILVERPLATED	BRASS		<del>0-160831-7</del>
	UNPLATED	BRASS	2	<del>0-160831-6</del>
	UNPLATED	PH.BRONZE	2	<del>0-160831-5</del>
	TIN PLATED	PH.BRONZE		0-160831-4
	TIN PLATED	BRASS		0-160831-3
	UNPLATED	PH.BRONZE		0-160831-2
	UNPLATED	BRASS		0-160831-1
	FINISH	MATERIAL		PART NUMBER

				CUSTOMER DRAWING		FOR REFERENCE ONLY WILL NOT BE UPDATED	
				THIS DRAWING IS UNPUBLISHED RELEASED FOR PUBLICATION			
				<b>STE</b> TE Connectivity			
				NAME			
<b>M2</b>		<b>ECO-11-005294</b>		<b>RK</b>		<b>HMR 19APR11</b>	
LTR.		REVISION RECORD		DR.		CHK. DATE	
DR.: J.v.LIEMPT		CHK.: M.v.DRIEL		APP.: M.v.DRIEL		DWG.No.	
DATE: 07 FEB 97		DATE: 18 FEB 02		DATE: 18 FEB 02		C-160831	
						REV.LTR. SHEET	
						M2 1 OF 1	