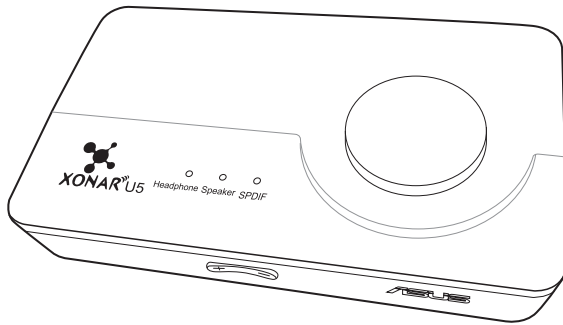




Xonar U5

5.1-Channel USB Audio Card



User Guide

E11117
Revised Edition v2
November 2015

Copyright © 2015 ASUSTeK COMPUTER INC. All Rights Reserved.

No part of this manual, including the products and software described in it, may be reproduced, transmitted, transcribed, stored in a retrieval system, or translated into any language in any form or by any means, except documentation kept by the purchaser for backup purposes, without the express written permission of ASUSTeK COMPUTER INC. ("ASUS").

Product warranty or service will not be extended if: (1) the product is repaired, modified or altered, unless such repair, modification or alteration is authorized in writing by ASUS; or (2) the serial number of the product is defaced or missing.

ASUS PROVIDES THIS MANUAL "AS IS" WITHOUT WARRANTY OF ANY KIND, EITHER EXPRESS OR IMPLIED, INCLUDING BUT NOT LIMITED TO THE IMPLIED WARRANTIES OR CONDITIONS OF MERCHANTABILITY OR FITNESS FOR A PARTICULAR PURPOSE. IN NO EVENT SHALL ASUS, ITS DIRECTORS, OFFICERS, EMPLOYEES OR AGENTS BE LIABLE FOR ANY INDIRECT, SPECIAL, INCIDENTAL, OR CONSEQUENTIAL DAMAGES (INCLUDING DAMAGES FOR LOSS OF PROFITS, LOSS OF BUSINESS, LOSS OF USE OR DATA, INTERRUPTION OF BUSINESS AND THE LIKE), EVEN IF ASUS HAS BEEN ADVISED OF THE POSSIBILITY OF SUCH DAMAGES ARISING FROM ANY DEFECT OR ERROR IN THIS MANUAL OR PRODUCT.

SPECIFICATIONS AND INFORMATION CONTAINED IN THIS MANUAL ARE FURNISHED FOR INFORMATIONAL USE ONLY, AND ARE SUBJECT TO CHANGE AT ANY TIME WITHOUT NOTICE, AND SHOULD NOT BE CONSTRUED AS A COMMITMENT BY ASUS. ASUS ASSUMES NO RESPONSIBILITY OR LIABILITY FOR ANY ERRORS OR INACCURACIES THAT MAY APPEAR IN THIS MANUAL, INCLUDING THE PRODUCTS AND SOFTWARE DESCRIBED IN IT.

Products and corporate names appearing in this manual may or may not be registered trademarks or copyrights of their respective companies, and are used only for identification or explanation and to the owners' benefit, without intent to infringe.

Contents

1.	Introduction	4
1.1	Package contents	4
1.2	System requirements	4
1.3	General Specification	5
2.	Hardware.....	7
3.	Driver Installation.....	9
3.1	Installing the Xonar U5 Card Driver	9
3.2	Uninstalling or Reinstalling the Xonar U5 Card Driver	9
4.	Connecting Speakers and Peripherals	10
4.1	Input connection	10
4.2	Output connection	13
5.	Software Utilities.....	18

1. Introduction

1.1 Package contents

Check your ASUS Xonar™ U5 audio card package for the following items:

- ASUS Xonar™ U5 5.1-Channel USB Audio Card x1
- Driver CD x1
- S/PDIF TOSLINK optical adapter x1
- Quick Start Guide x1
- Type B to A USB Cable x1

1.2 System requirements

To ensure a successful installation of the Xonar U5 audio card, make sure that your computer meets the following requirements:

- IBM compatible PC with one USB1.1 (or higher) compatible port for the USB audio device
- 32/64bit Microsoft® Windows® 7 / 8 / 8.1 / 10 (32/64bit)
- Intel® Pentium® 4 1.4GHz, AMD Athlon 1400 CPU, or faster CPU
- 256MB system memory
- 60MB available storage space for driver installation
- CD-ROM drive (or DVD-ROM drive) for software installation
- High-quality headphones, powered analog speakers, or a Dolby Digital decoder

1.3 General Specification

Items	Description
Audio Performance	
Output Signal-to-Noise Ratio (A-Weighted)	Up to 104dB
Input Signal-to-Noise Ratio (A-Weighted)	Up to 94dB
Output Total Harmonic Distortion + Noise at 1kHz (A-Weighted)	Up to 0.005% (-86dB)
Input Total Harmonic Distortion + Noise at 1kHz (A-Weighted)	Up to 0.005% (-86dB)
Frequency Response (-3dB, 24-bit/96kHz input)	< 10Hz to 44kHz
Output / Input Full-Scale Voltage	1 Vrms (2.828 Vp-p) for rear output (Speaker) 1.3 Vrms (3.677 Vp-p) for headphone out 1 Vrms (3.677 Vp-p) for line in
Bus Compatibility	
USB audio class	USB audio class 2.0 for all functions; USB audio class 1.0 for playback
Main Chipset	
Audio Processor	Cmedia 6631A High-Performance Sound Processor (Max. 192kHz / 24bit)
D-A Converter of Digital Sources	Cmedia CM9882A x1 (108dB SNR, Max. 192kHz/24bit)
A-D Converter for Analog Inputs	Cmedia CM9882A x1 (104dB SNR, Max. 192kHz/24bit)
Sample Rate and Resolution	
Analog Playback Sample Rate and Resolution	44.1k/48k/88.2k/96k/192kHz @ 16/24bit
Analog Recording Sample Rate and Resolution	44.1k/48k/88.2k/96k/192kHz @ 16/24bit
S/PDIF Digital Output	44.1k/48k/88.2k/96k/192kHz @ 16/24bit
ASIO 2.0 Driver Support	44.1k/48k/88.2k/96k/192kHz @ 16/24bit

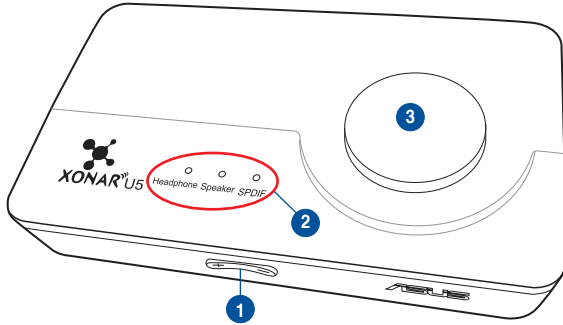
(continued on the next page)

Items	Description
I/O Ports	
Analog Output Jack	3.50mm mini jack x3 for surround (Front/Center-Subwoofer/Rear-out) 3.50mm mini jack x1 (Headphone out)
Analog Input Jack	3.50mm mini jack x1 (Shared by Line-In / Mic-In)
Button	Output volume / Output selection / Microphone Volume)
Digital S/PDIF Output	High-bandwidth coaxial / optical port supports 192kHz/24bit
Driver Features	
As SW specifications	Version 1.01

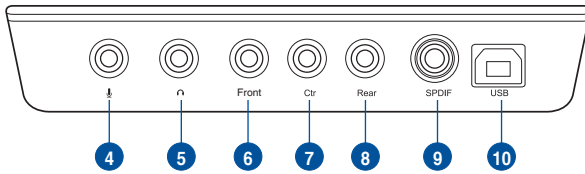
2. Hardware

Xonar U5 Audio Card

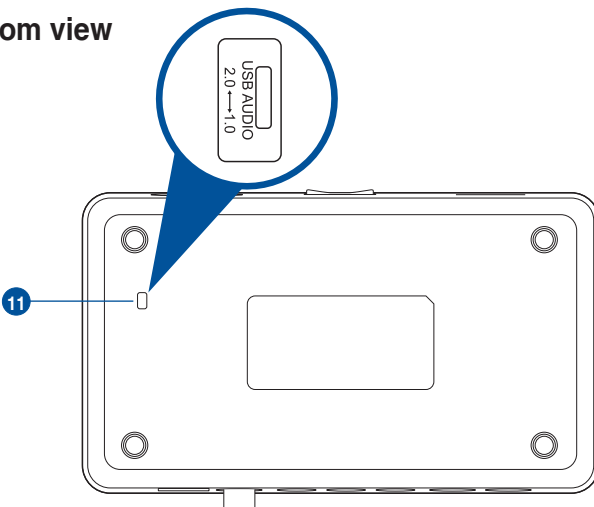
Top view



Rear view



Bottom view



No	Item	Description
1	Microphone Volume Control	Press to increase or decrease microphone volume.
2	Output Selection Indicator	LED indicator indicates different output selection (Headphone/Speaker/S/PDIF).
3	Output Selection/ Volume Control	Rotate to adjust the playback volume. Press to select an output source.
4	Microphone In port	Connect your external PC microphone to this 3.5mm port for voice input. Built-in high-quality Microphone pre-amplifier.
5	Headphone Out port	Connect your headphone to this port.
6	Front Out port	For 2/4/5.1 channel speaker systems, connects to the front input on the powered speakers.
7	Center/Subwoofer Out port	Connects to the center/subwoofer input on 5.1 powered analog speakers.
8	Rear Out port	Connects to the rear/subwoofer input on 5.1 powered analog speakers.
9	S/PDIF Out port	Coaxial digital output port. Connects to an external digital decoder or digital speaker systems, Home Theater systems, AV receivers for outputting digital audio including PCM, Dolby Digital, DTS, WMA-Pro, etc. Connects to the surround channel input on 4/5.1 powered analog speakers.
10	USB Port	Connects to your computer using a USB Type B-A lead.
11	USB Audio 1.0/2.0 switch	Move this switch to toggle between USB Audio 2.0 and USB Audio 1.0 connection. Use USB Audio 1.0 for plug and play. Use USB Audio 2.0 on a mac (Apple computer).



USB Audio 1.0/2.0 switch is located at the bottom side of the audio card. USB Audio 1.0 connection has the following limitations:

- Only supports playback features.
- 5.1 speakers, Headphone, Mic In / Line-In, and SPDIF Out can only support sample rates of 44.1KHz/48KHz @ 16-bit.

3. Driver Installation

3.1 Installing the Xonar U5 Card Driver

After connecting the Xonar U5 audio card to your computer, you need to install the device driver that enables the Xonar U5 audio card to work with Windows operating system.



The version and content of the support CD are subject to change without notice.

To install the device driver:

1. Insert the ASUS Xonar U5 support CD into your optical drive. If Autorun is enabled, the ASUS Xonar Card Driver screen appears automatically. Go to step 4. If Autorun is not enabled in your computer, perform step 2.
2. Click **Computer** on your desktop and double-click the optical drive icon.
3. Double-click **setup.exe** located on the optical drive.
4. Click **Driver** to start the installation.
5. Follow the on-screen instructions to complete the installation. Read, understand, and accept the **END USER LICENSE AGREEMENT** before continuing the installation.
6. When the installation finishes, you may be prompted to restart your computer. You can choose to restart the computer at a later time.

3.2 Uninstalling or Reinstalling the Xonar U5 Card Driver

3.2.1 Uninstalling the Xonar U5 Card Driver

To uninstall the Xonar U5 card driver:

1. Click **Start > Control Panel > Programs and Features**.
2. Right-click the driver you want to remove, and then click **Uninstall**.
3. In the **InstallShield Wizard** dialog box, select **Remove**.
4. Restart your computer when prompted.

3.2.2 Reinstalling the Xonar U5 Card Driver

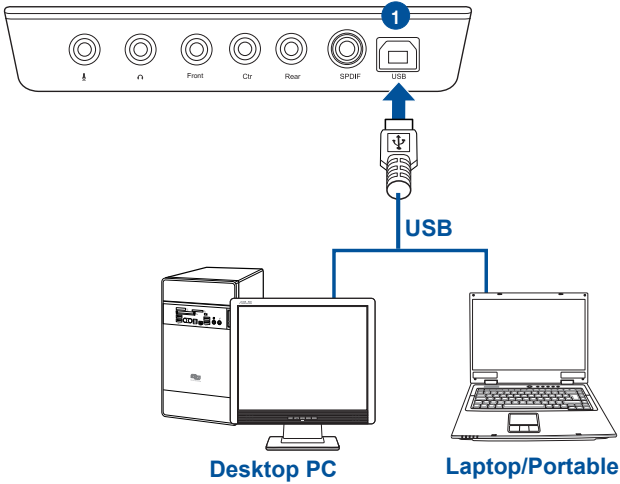
To reinstall the Xonar U5 card driver:

1. Uninstall the existing software or driver.
2. Follow the installation process to reinstall the driver.

4. Connecting Speakers and Peripherals

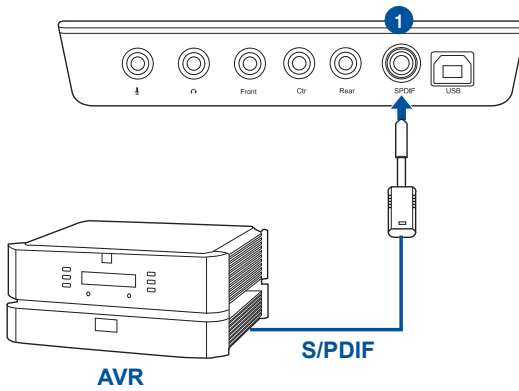
4.1 Input connection

4.1.1 Connecting to a USB 2.0 port on your computer



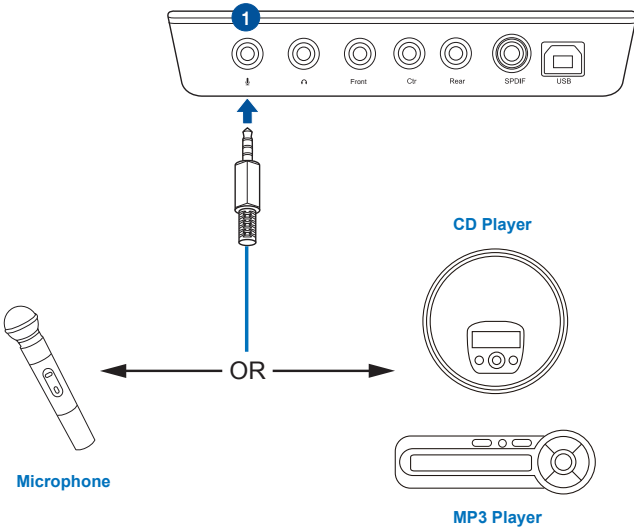
No	Item	Description
1	USB Port	Connects to your computer using a USB Type B-A lead.

4.1.2 Connecting digital audio systems



No	Item	Description
1	S/PDIF Out port	Connect an AVR (Audio/Video Receiver) to this S/PDIF output port.

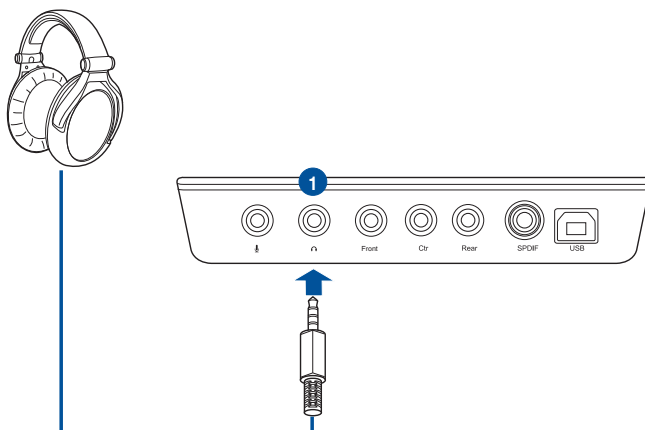
4.1.3 Connecting microphone / Line-In



No	Item	Description
1	Microphone In / Line In port	<p>Connect the microphone's 3.5mm plug into this Mic-In port for voice communication, recording, or karaoke.</p> <p>Connect the 3.5mm plug of the CD/MP3 Player or any other Line level analog audio sources into this Line-In port for sound recording.</p>

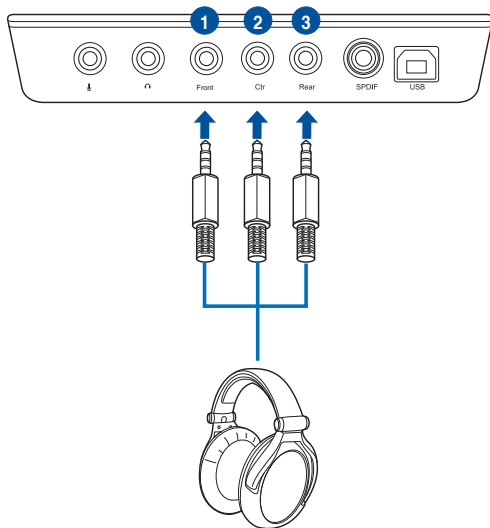
4.2 Output connection

4.2.1 Connecting Stereo Headphones



No	Item	Description
1	Headphone Out Port	The Headphone Out port has a built-in high-quality amplifier to drive headphones. Connect your stereo headphones directly to this port.

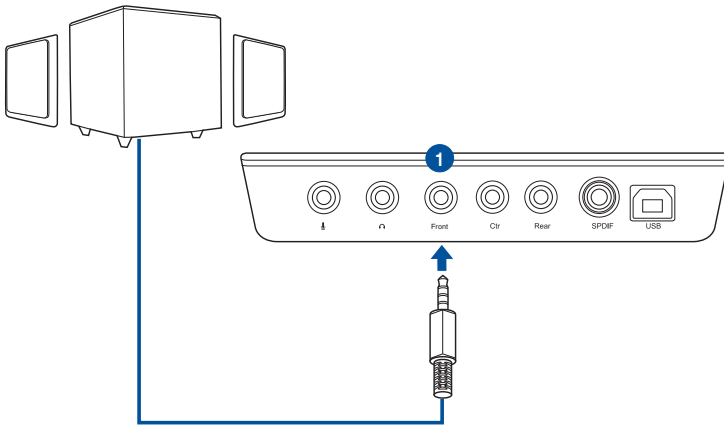
4.2.2 Connecting 5.1 channel headphones



No	Item	Description
1	Front Out port	Connect the Front-channel 3.5mm plug of your 5.1 channel headphone into this jack.
2	Center/Subwoofer Out port	Connect the Center/Bass-channel 3.5mm plug of your 5.1 channel headphone into this jack.
3	Rear Surround Out port	Connects to the rear surround input port of your 5.1 channel headphone.

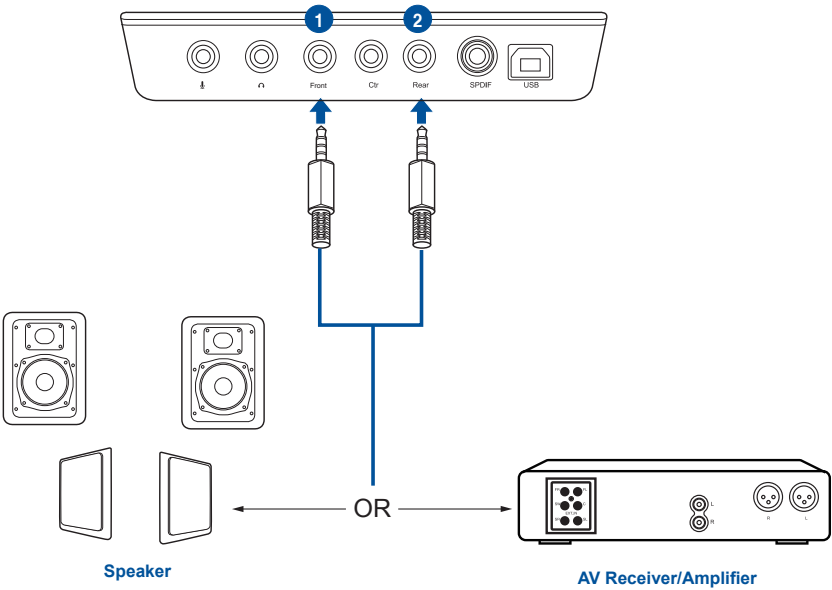
4.2.3 Connecting analog speaker systems

Connecting 2 channel speakers



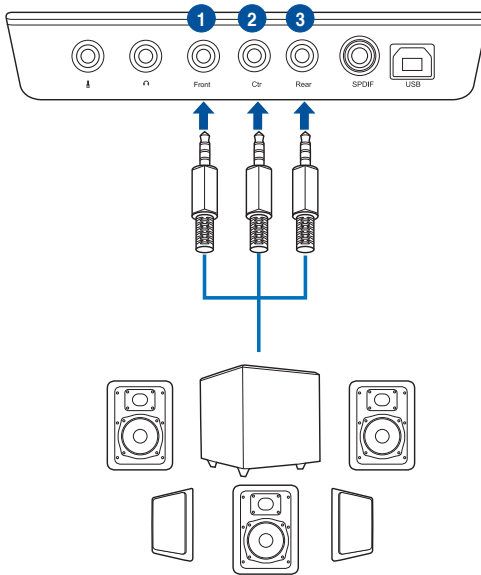
No	Item	Description
1	Front Out port	Connect the Front-channel 3.5mm plug of 2 channel speakers using a 3.5mm cable.

Connecting 4.1 channel speakers / power amplifier



No	Item	Description
1	Front Out port	Connect the Front-channel 3.5mm plug of your 5.1 channel headphone into this jack.
2	Rear Surround Out port	Connects to the rear surround input port of 4.1 channel speakers.

Connecting 5.1 channel speakers



No	Item	Description
1	Front Out port	Connect the Front-channel 3.5mm plug of your 5.1 channel headphone into this jack.
2	Center/Subwoofer Out port	Connects to the Center and Subwoofer input ports of 5.1 channel speakers.
3	Rear Surround Out port	Connects to the rear surround input port of 5.1 channel speakers.

5. Software Utilities

Sonic Studio overview

Sonic Studio comes with advanced sound algorithms and virtual surround effects to enhance your gaming and entertainment experience.



For more details about using Sonic Studio, refer to the Sonic Studio manual.