

GlobTek, Inc.
 www.globtek.com
 186 Veterans Drive,
 Northvale, NJ 07647
 Tel. (201) 784-1000
 Fax (201) 784-0111

Drawing Title: GTM41078-0605-USB, Medical Power Supply, Efficiency Level: V, Case Color/Style: GlobTek Black, Wall Plug-in, Regulated Switchmode AC-DC, Input Rating: 100-240V~, 50-60 Hz, Interchangeable Blades <http://en.globtek.com/interchangeable-blades.php>, Output Rating: 6W, 5V@1.2A, Output Configuration: N/A mm, N/A/4 Cond, N/A, Type "A" USB "JACK", integral to power supply enclosure, Ferrite: None, N/A, GT Cord # C0132, Pin Out: Pin 1: +V, Pin 2-3: connected, Pin 4: DC Common, Blades/Input Cord: Q-Series Europe, Approvals: CB, cETLus, cETLus 60601-1 3rd, China RoHS, Double Insulation, EC, GOST-R, IP20, Level V, LPS, PSE, RoHS 2, S-Mark, Ukraine, WEEE

Model No. GTM41078-0605-USB

Part No. WR9QA1200USBNMDEURVB

Rev A

REVISION HISTORY

REV	DESCRIPTION	SUB	DATE	APPROVED
A	Initial Release	rmünt	07/14/2014	QA

In Addition to GlobTek Inc.'s renewed ISO9001:2008 - Quality Management System Certification, GlobTek Inc. is now certified to:

ISO13485:2003 - Medical Devices Quality Management System Certification

ISO14001:2004 - Environmental Management System Certification

ISO Certificates are available On-Line at <http://www.globtek.com/iso-certificates.php>

Customer Approval of Specification:

Please approve, sign and send back to GlobTek so we can complete order processing.

A delay in receipt of this form will delay delivery schedule.

Company Name:

Customer P/N:

Quote Number:

Date:

Authorized Representative Name:

Authorized Representative Signature:

Footnote:

GlobTek Inc. will not be liable for the safety and performance of these power supplies if unauthorized access and repair occurs. End user should consult applicable UL, CSA or EN standards for proper installation instruction.

Limitation of Use:

GlobTek product are not authorized for use as mission critical components in life support hazardous environment, nuclear or aircraft applications without prior written approval from the CEO of GlobTek Inc.

Contents of this document are subject to change without prior notice.

GTM41078-0605-USB, 6W, 5V@1.2A, Wall Plug-in, Regulated Switchmode AC-DC

PROPRIETARY INFORMATION

PROPRIETARY OF GLOBTEK, INC. ANY REPRODUCTION, DISCLOSURE OR USE OF THIS DRAWING, IN WHOLE OR IN PART, IS HEREBY PROHIBITED EXCEPT AS SPECIFIED IN WRITING BY GLOBTEK, INC.

GlobTek, Inc.
www.globtek.com
186 Veterans Drive,
Northvale, NJ 07647
Tel. (201) 784-1000
Fax (201) 784-0111

Drawing Title: GTM41078-0605-USB, Medical Power Supply, Efficiency Level: V, Case Color/Style: GlobTek Black, Wall Plug-in, Regulated Switchmode AC-DC, Input Rating: 100-240V~, 50-60 Hz, Interchangeable Blades <http://en.globtek.com/interchangeable-blades.php>, Output Rating: 6W, 5V@1.2A, Output Configuration: N/A mm, N/A/4 Cond, N/A, Type "A" USB "JACK", integral to power supply enclosure, Ferrite: None, N/A, GT Cord # C0132, Pin Out: Pin 1: +V, Pin 2-3: connected, Pin 4: DC Common, Blades/Input Cord: Q-Series Europe, Approvals: CB, cETLus, cETLus 60601-1 3rd, China RoHS, Double Insulation, EC, GOST-R, IP20, Level V, LPS, PSE, RoHS 2, S-Mark, Ukraine, WEEE

Model No. GTM41078-0605-USB

Part No. WR9QA1200USBNMDEURVB

Rev A

POWER SUPPLY INFORMATION

TYPE: Wall Plug-in
TECHNOLOGY: Regulated Switchmode AC-DC
CASE COLOR: GlobTek Black
NAMEPLATE RATED INPUT: 100-240V~, 50-60 Hz, 0.3A
INPUT CONFIG: Interchangeable Blades
WATTS: 6.0
VOLTS OUT: 5
CURRENT OUT (Amps): 1.2
BLADE/CORD INCLUDED: Q-EU: Q-Series Europe
BLADE/CORD INSTALLED: Q-EU: Q-Series Europe
EFFICIENCY LEVEL: V
OUTPUT CONFIGURATION: N/A mm, N/A/4 Cond, N/A, Type "A" USB "JACK", integral to power supply enclosure, Ferrite: None, N/A, GT Cord # C0132
CONNECTOR PIN OUT: Pin 1: +V, Pin 2-3: connected, Pin 4: DC Common
LABEL SPECS: Standard GT,L-1186
PACK SPEC: Standard with USB O/P, Individually Box

NOTES / DEVIATIONS:

DIMENSIONS ARE IN MM UNLESS SPECIFIED OTHERWISE.

ELECTRICAL SPECIFICATIONS

A) ELECTRICAL SPECIFICATIONS:

1. Input Voltage: Specified 90-264 Vac, Nameplate rated 100-240 Vac
2. Input Frequency: Specified 47-63 Hz, Nameplate rated 50-60 Hz
3. Output Power (Rated): 6Watts maximum
4. Output Regulation: +/- 5% measured at the output connector
5. Line Voltage Regulation: +/- 1% typical measured at the output connector
6. Output Ripple (Vp-p): +/-1% or 150 mV whichever is greater at nominal output voltage. Measured at 20 MHz bandwidth with 0.1 uf ceramic capacitor in parallel with 10 uf electrolytic capacitor connected at the end of the output connector.
7. Turn-On/Turn-Off Overshoot: 5% maximum, 500 us maximum recovery time for 25% step load.
8. Turn-On Delay: 3000 mSEC maximum
9. Hold-Up Time: 8mSec maximum at nominal input and full load.
10. Inrush Current: 30A typical @ 115Vac input ; 60A typical @ 230Vac input
11. Switching Frequency: 66.5 KHz typical

B) PROTECTION

1. Over-Voltage: Protected unit will recover upon removal of fault
2. Short Circuit: Electronically Protected, unit will recover upon removal of fault
3. Input Protection: Input line fusing

C) SAFETY

1. Dielectric Withstand Voltage: 5656Vdc from primary to secondary
2. Earth Leakage Current: N/A for Class II units, there is no PE Ground pin, so Earth Leakage current is not measured
3. Touch Current: Maximum allowed values: 100uA NC(Normal condition) 500uA SFC(single fault condition)
4. Means of Protection: 2 x MOPP
5. ROHS 2: Complies with EU 2011/65/EU and China SJ/T 11363-2006

D) OTHER:

1. MTBF: 200,000 hours @ 25°C ambient temperature
2. Operating Temperature: 0°C to 40°C ambient temperature
3. Humidity: 0% to 95% relative humidity
4. Storage Temperature: -40°C to 80°C

PROPRIETARY INFORMATION

PROPRIETARY OF GLOBTEK, INC. ANY REPRODUCTION, DISCLOSURE OR USE OF THIS DRAWING, IN WHOLE OR IN PART, IS HEREBY PROHIBITED EXCEPT AS SPECIFIED IN WRITING BY GLOBTEK, INC.

mmunt/07/16/2014 10:12:07 AM

GlobTek, Inc.
www.globtek.com
186 Veterans Drive,
Northvale, NJ 07647
Tel. (201) 784-1000
Fax (201) 784-0111

Drawing Title: GTM41078-0605-USB, Medical Power Supply, Efficiency Level: V, Case Color/Style: GlobTek Black, Wall Plug-in, Regulated Switchmode AC-DC, Input Rating: 100-240V~, 50-60 Hz, Interchangeable Blades <http://en.globtek.com/interchangeable-blades.php>, Output Rating: 6W, 5V@1.2A, Output Configuration: N/A mm, N/A/4 Cond, N/A, Type "A" USB "JACK", integral to power supply enclosure, Ferrite: None, N/A, GT Cord # C0132, Pin Out: Pin 1: +V, Pin 2-3: connected, Pin 4: DC Common, Blades/Input Cord: Q-Series Europe, Approvals: CB, cETLus, cETLus 60601-1 3rd, China RoHS, Double Insulation, EC, GOST-R, IP20, Level V, LPS, PSE, RoHS 2, S-Mark, Ukraine, WEEE

Model No. GTM41078-0605-USB

Part No. WR9QA1200USBNMDEURVB

Rev A

E) ENCLOSURE

1. Housing: High impact plastic, 94V0 polycarbonate, non-vented
2. Size: 41.0 x 71.0 x 31.5 mm +/-1.0 mm
3. Markings: Label and/or Pad Printed and/or Molded in the case

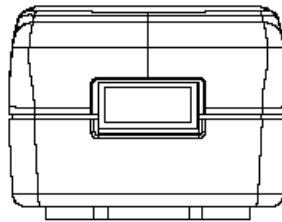
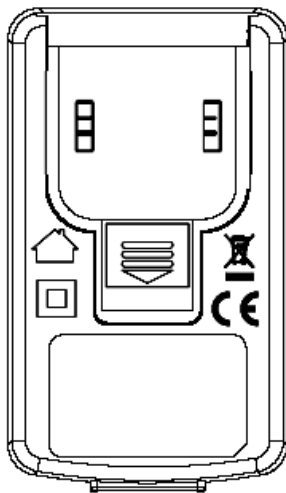
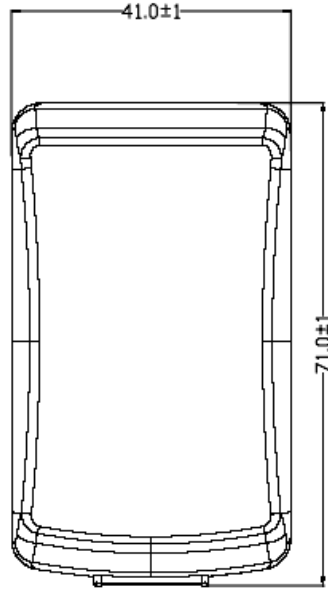
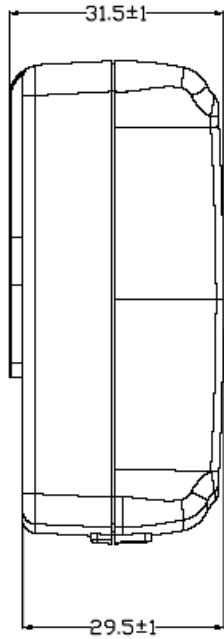
GlobTek, Inc.
www.globtek.com
186 Veterans Drive,
Northvale, NJ 07647
Tel. (201) 784-1000
Fax (201) 784-0111

Drawing Title: GTM41078-0605-USB, Medical Power Supply, Efficiency Level: V, Case Color/Style: GlobTek Black, Wall Plug-in, Regulated Switchmode AC-DC, Input Rating: 100-240V~, 50-60 Hz, Interchangeable Blades <http://en.globtek.com/interchangeable-blades.php>, Output Rating: 6W, 5V@1.2A, Output Configuration: N/A mm, N/A/4 Cond, N/A, Type "A" USB "JACK", integral to power supply enclosure, Ferrite: None, N/A, GT Cord # C0132, Pin Out: Pin 1: +V, Pin 2-3: connected, Pin 4: DC Common, Blades/Input Cord: Q-Series Europe, Approvals: CB, cETLus, cETLus 60601-1 3rd, China RoHS, Double Insulation, EC, GOST-R, IP20, Level V, LPS, PSE, RoHS 2, S-Mark, Ukraine, WEEE

Model No. GTM41078-0605-USB

Part No. WR9QA1200USBNMDEURVB

Rev A



GlobTek, Inc.
 www.globtek.com
 186 Veterans Drive,
 Northvale, NJ 07647
 Tel. (201) 784-1000
 Fax (201) 784-0111

Drawing Title: GTM41078-0605-USB, Medical Power Supply, Efficiency Level: V, Case Color/Style: GlobTek Black, Wall Plug-in, Regulated Switchmode AC-DC, Input Rating: 100-240V~, 50-60 Hz, Interchangeable Blades <http://en.globtek.com/interchangeable-blades.php>, Output Rating: 6W, 5V@1.2A, Output Configuration: N/A mm, N/A/4 Cond, N/A, Type "A" USB "JACK", integral to power supply enclosure, Ferrite: None, N/A, GT Cord # C0132, Pin Out: Pin 1: +V, Pin 2-3: connected, Pin 4: DC Common, Blades/Input Cord: Q-Series Europe, Approvals: CB, cETLus, cETLus 60601-1 3rd, China RoHS, Double Insulation, EC, GOST-R, IP20, Level V, LPS, PSE, RoHS 2, S-Mark, Ukraine, WEEE

Model No. GTM41078-0605-USB

Part No. WR9QA1200USBNMDEURVB

Rev A

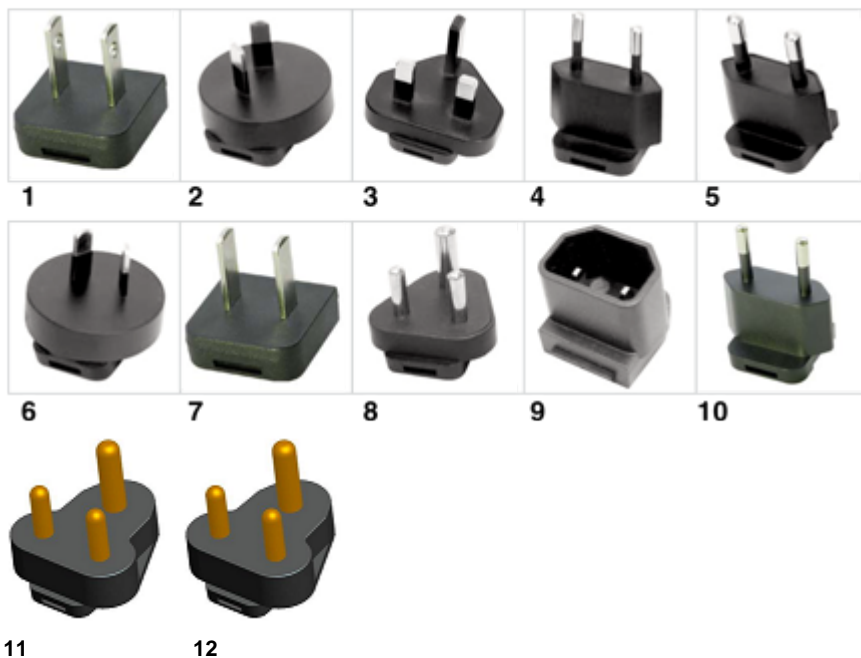
INPUT CONFIGURATION

Blades/Cord Included: Q-EU: Q-Series Europe
 Blades/Cord Installed: Q-EU: Q-Series Europe

Blade Options for Q Series Wall Plug-in Power Supplies

Data Sheet: <http://en.globtek.com/interchangeable-blades.php>

Insertion Instructions: <http://www.globtek.com/pdf/Instructions-Interchangeable-Blades.pdf>



INPUT CONNECTOR: Q-Socket (below are available blades configurations which are "not included" (unless stated above); can be purchased separately, package with power supply or as a separate "Q-KIT" if specified

01. North America / Japan NEMA 1-15P configuration: NA 2 blades, Class II; P/N: Q-NA(R)
02. Australian AS 3112 configuration: SAA 2 blade, Class II; P/N: Q-SAA(R)
03. UK BS 1363 configuration: UK 3 blade with dummy Ground, Class II; P/N: Q-UK(R)
04. European CEE 7/16 configuration: Europlug 2 pins, Class II; P/N: Q-EU(R)
05. Korean KS C8305 configuration: 2 pins, Class II; P/N: Q-KR(R)
06. Argentina IRAM 2073 configuration: 2 blades; P/N: Class II Q-AR(R)
07. China GB 2099 configuration: 2 blades, Class II; P/N: Q-CN(R)
08. India IS 1923 6A/SANS 164-3/BS546 configuration: 5A, 3 pins with Dummy Ground, Class II; P/N: Q-IN(R)
09. IEC320/C18 Inlet, Class II; P/N: Q-C18(R)
10. Brazilian NBR6147 configuration: 2 pins, Class II; P/N: Q-BR(R)
11. S. African SANS 164-1 configuration: 2 pins with Dummy Ground, Class II; P/N: Q-SANS164-1-16A(R)
12. British Standard BS 546-15A configuration: 2 pins with Dummy Ground, Class II; P/N: Q-BS546-15A(R)

GlobTek, Inc.
www.globtek.com
186 Veterans Drive,
Northvale, NJ 07647
Tel. (201) 784-1000
Fax (201) 784-0111

Drawing Title: GTM41078-0605-USB, Medical Power Supply, Efficiency Level: V, Case Color/Style: GlobTek Black, Wall Plug-in, Regulated Switchmode AC-DC, Input Rating: 100-240V~, 50-60 Hz, Interchangeable Blades <http://en.globtek.com/interchangeable-blades.php>, Output Rating: 6W, 5V@1.2A, Output Configuration: N/A mm, N/A/4 Cond, N/A, Type "A" USB "JACK", integral to power supply enclosure, Ferrite: None, N/A, GT Cord # C0132, Pin Out: Pin 1: +V, Pin 2-3: connected, Pin 4: DC Common, Blades/Input Cord: Q-Series Europe, Approvals: CB, cETLus, cETLus 60601-1 3rd, China RoHS, Double Insulation, EC, GOST-R, IP20, Level V, LPS, PSE, RoHS 2, S-Mark, Ukraine, WEEE

Model No. GTM41078-0605-USB

Part No. WR9QA1200USBNMDEURVB

Rev A

Kits

- 01. Q-KIT: 1,2,3,4 above
- 02. Q-KIT-INTL: 2,3,4 above
- 03. Q-KIT-6: 1,2,3,4,5,6 above
- 04. Q-KIT-7: 1,2,3,4,5,6,7 above
- 05. Q-KIT-8: 1,2,3,4,5,6,7,8 above

GlobTek, Inc.
 www.globtek.com
 186 Veterans Drive,
 Northvale, NJ 07647
 Tel. (201) 784-1000
 Fax (201) 784-0111

Drawing Title: GTM41078-0605-USB, Medical Power Supply, Efficiency Level: V, Case Color/Style: GlobTek Black, Wall Plug-in, Regulated Switchmode AC-DC, Input Rating: 100-240V~, 50-60 Hz, Interchangeable Blades <http://en.globtek.com/interchangeable-blades.php>, Output Rating: 6W, 5V@1.2A, Output Configuration: N/A mm, N/A/4 Cond, N/A, Type "A" USB "JACK", integral to power supply enclosure, Ferrite: None, N/A, GT Cord # C0132, Pin Out: Pin 1: +V, Pin 2-3: connected, Pin 4: DC Common, Blades/Input Cord: Q-Series Europe, Approvals: CB, cETLus, cETLus 60601-1 3rd, China RoHS, Double Insulation, EC, GOST-R, IP20, Level V, LPS, PSE, RoHS 2, S-Mark, Ukraine, WEEE

Model No. GTM41078-0605-USB

Part No. WR9QA1200USBNMDEURVB

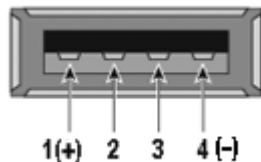
Rev A

OUTPUT CORD AND CONNECTOR: USBMT/C0132

ACTUAL CONNECTORS, OVERMOLDS, FERRITES MAY VARY SLIGHTLY FROM THE PICTURE BELOW

CABLE TYPE	N/A
CABLE LENGTH (mm)	N/A
CABLE TOLERANCE (mm)	N/A
WIRE GAUGE (AWG)	N/A
CONDUCTORS	4
HANK DIMENSION (mm)	N/A
CABLE / CONNECTOR OVERMOLD COLOR	N/A
FERRITE TYPE / DIMENSION	None
FERRITE # OF TURNS	N/A
FERRITE DIMENSION FROM STRAIN RELIEF	N/A
FERRITE DIMENSION FROM PLUG	N/A
PLUG TYPE	Type "A" USB "JACK", integral to power supply enclosure
OVER MOLD ORIENTATION	PCB Mount Connector
CONNECTOR PIN OUT:	Pin 1: +V, Pin 2-3: connected, Pin 4: DC Common
ADDITIONAL REQUIREMENTS	

Front View



ADDITIONAL OUTPUT PLUG OPTIONS ARE AVAILABLE AT <http://www.globtek.com/connectors.php>
 STANDARD PLUGS AND CONNECTORS CAN BE SEEN ONLINE AT <http://www.globtek.com/connectors.php>

GlobTek, Inc.
 www.globtek.com
 186 Veterans Drive,
 Northvale, NJ 07647
 Tel. (201) 784-1000
 Fax (201) 784-0111

Drawing Title: GTM41078-0605-USB, Medical Power Supply, Efficiency Level: V, Case Color/Style: GlobTek Black, Wall Plug-in, Regulated Switchmode AC-DC, Input Rating: 100-240V~, 50-60 Hz, Interchangeable Blades <http://en.globtek.com/interchangeable-blades.php>, Output Rating: 6W, 5V@1.2A, Output Configuration: N/A mm, N/A/4 Cond, N/A, Type "A" USB "JACK", integral to power supply enclosure, Ferrite: None, N/A, GT Cord # C0132, Pin Out: Pin 1: +V, Pin 2-3: connected, Pin 4: DC Common, Blades/Input Cord: Q-Series Europe, Approvals: CB, cETLus, cETLus 60601-1 3rd, China RoHS, Double Insulation, EC, GOST-R, IP20, Level V, LPS, PSE, RoHS 2, S-Mark, Ukraine, WEEE

Model No. GTM41078-0605-USB

Part No. WR9QA1200USBNMDEURVB

Rev A

LABEL:L-1186

LABEL P/N: Standard GT
 MATERIAL: Flat Thermal Transfer, Imprintable, Polyester Label and/or Pad Printed and/or Molded in the case
 BACKGROUND COLOR:Black
 TEXT COLOR: White or Silver
 LABEL WIDTH (mm): 28.5
 LABEL HEIGHT (mm): 17.5

Below is the minimum information which will appear on the label. NOTE: in the logo area additional/actual positioning of symbols and text is subjected to change as per agency updates/requirements or additional model approvals become available. Agency logos may be in Logo area on the label or molded into the case housing outside the label area. Information will be shown via Label and/or Pad Printed and/or Molded in the case



A=Medical Power Supply
 B=P/N: (料号) WR9QA1200USBNMDEURVB
 C=Model : (型号) GTM41078-0605-USB
 D=Input : (输入) 100-240V~, 50-60 Hz, 0.3A
 E=Output : (输出) 5 V =-=- 1.2 A

AGENCY ONLINE DOCUMENTS <http://www.globtek.info/certs/GTM41078-USB/>
 IPXY rating is based on 3rd party testing and customers should check suitability and test system level IPXY rating before ordering.

Logo Approvals

Logo	Description
No Logo Applicable	CB report IEC 60601-1: 2005 + CORR. 1 (2006) + CORR. 2 (2007) and or EN 60601-1:2006 3rd Edition 2xMOPP
No Logo	CB Report IEC60950-1:2005 (2nd Edition), Am 1: 2009 and EN 60950-1:2006 + Am 1:2010 + Am 11:2009 + Am 12:2011
Conforms to ANSI/AAMI ES 60601-1:2005 Cert.to CAN/CSA Std. C22.2	cETLus ANSI_AAMI ES60601-1_2005
Conforms to ANSI/UL Std. 60950-1 Cert.to CAN/CSA Std. C22.2 NO. 60950-1	Conforms to ANSI/UL Std. 60950-1 2nd Edition Cert. to CAN/CSA Std.C22.2 NO.60950-1 2nd Edition

GlobTek, Inc.
 www.globtek.com
 186 Veterans Drive,
 Northvale, NJ 07647
 Tel. (201) 784-1000
 Fax (201) 784-0111

Drawing Title: GTM41078-0605-USB, Medical Power Supply, Efficiency Level: V, Case Color/Style: GlobTek Black, Wall Plug-in, Regulated Switchmode AC-DC, Input Rating: 100-240V~, 50-60 Hz, Interchangeable Blades <http://en.globtek.com/interchangeable-blades.php>, Output Rating: 6W, 5V@1.2A, Output Configuration: N/A mm, N/A/4 Cond, N/A, Type "A" USB "JACK", integral to power supply enclosure, Ferrite: None, N/A, GT Cord # C0132, Pin Out: Pin 1: +V, Pin 2-3: connected, Pin 4: DC Common, Blades/Input Cord: Q-Series Europe, Approvals: CB, cETLus, cETLus 60601-1 3rd, China RoHS, Double Insulation, EC, GOST-R, IP20, Level V, LPS, PSE, RoHS 2, S-Mark, Ukraine, WEEE

Model No. GTM41078-0605-USB

Part No. WR9QA1200USBMDEURVB

Rev A



cETLus-Cert-4007497 ANSI/AAMI ES60601-1:2005 with AMD
 C1: 2009, AMD C2: 2010 and CAN/CSA-C22.2 No. 60601-1 2008 with COR 2:
 2011



cETLus-Cert-60950-1 4007497 Listed



CHINA SJ/T 11363-2006, China RoHS Chart: <http://en.globtek.com/globtek-rohs.php>



Double Insulation - Mark is on the label or Molded in the case

No Logo

EC-Conformity Declaration: http://www.globtek.com/html/iso_certificates/EC-DECLARATION.pdf,
 REACH 144 SVHC: http://www.globtek.com/html/iso_certificates/Reach144.pdf



GOST-R mark for Russia(Document: http://www.globtek.com/html/iso_certificates/GT_GOST-R.pdf)



Indoor Use Only - Mark is on the label or Molded in the case

IP20

Ingress Protection: IP20 to IEC60529:2001 Protected against solids objects over 12mm and No Protection



Efficiency: complies to section 301 of Energy Independence and Security Act (EISA) complies with Energy Star tier 2 (North America), ECP tier 2 (China), MEPS tier 2 (Australia), Code of Conduct (Europe)

LPS

Limited Power Source



JAPAN PSE CQC Globtek Inc TO J60950 AND J55022

RoHS 2

RoHS 2: Complies with EU 2011/65/EU and CHINA SJ/T 11363-2006 <http://www.ce-mark.com/Rohs%20final.pdf>



Semko S-Mark-Cert-EN60601-1 3rd Edition (<http://www.intertek.com/marks/s/>)



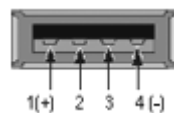
S-Mark Certificate EN 60950-1:2006 + A11:2009 + A1:2010 + A12:2011 (<http://www.intertek.com/marks/s/>)



Ukraine UKRSeprO (Document: www.globtek.com/html/iso_certificates/GT_Ukraine.pdf)



WEEE: Complies with EU 2012/19/EU (http://ec.europa.eu/environment/waste/weee/index_en.htm)
 Mark is on the label or Molded in the case



Pin 1: +V, Pin 2-3: connected, Pin 4: DC Common

GlobTek, Inc.
www.globtek.com
186 Veterans Drive,
Northvale, NJ 07647
Tel. (201) 784-1000
Fax (201) 784-0111

Drawing Title: GTM41078-0605-USB, Medical Power Supply, Efficiency Level: V, Case Color/Style: GlobTek Black, Wall Plug-in, Regulated Switchmode AC-DC, Input Rating: 100-240V~, 50-60 Hz, Interchangeable Blades <http://en.globtek.com/interchangeable-blades.php>, Output Rating: 6W, 5V@1.2A, Output Configuration: N/A mm, N/A/4 Cond, N/A, Type "A" USB "JACK", integral to power supply enclosure, Ferrite: None, N/A, GT Cord # C0132, Pin Out: Pin 1: +V, Pin 2-3: connected, Pin 4: DC Common, Blades/Input Cord: Q-Series Europe, Approvals: CB, cETLus, cETLus 60601-1 3rd, China RoHS, Double Insulation, EC, GOST-R, IP20, Level V, LPS, PSE, RoHS 2, S-Mark, Ukraine, WEEE

Model No. GTM41078-0605-USB

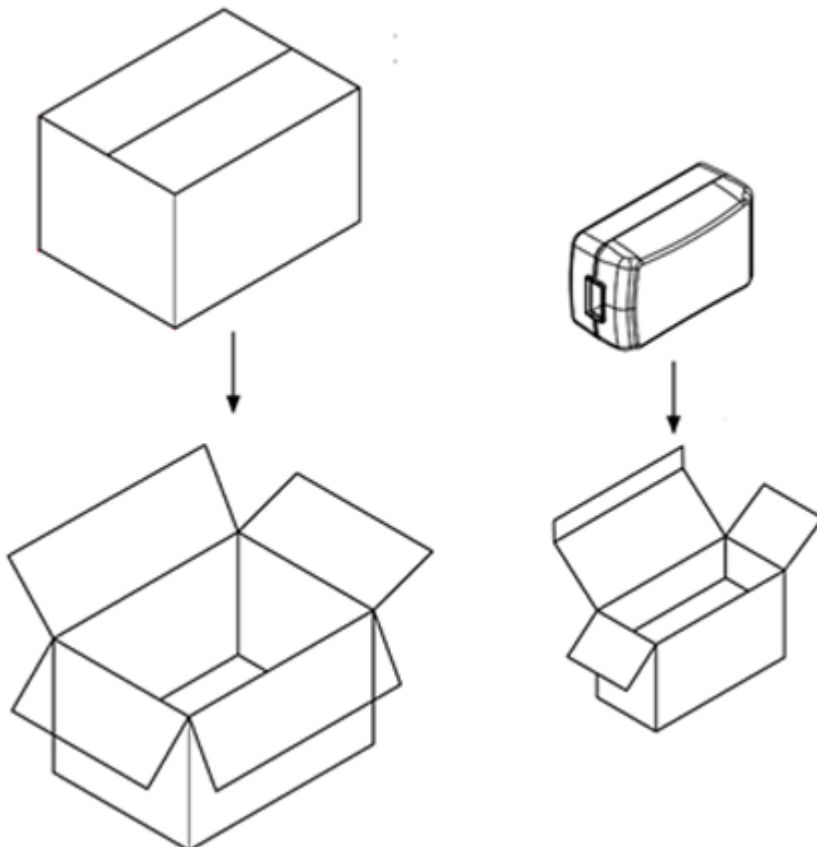
Part No. WR9QA1200USBNMDEURVB

Rev A

PACKAGING

Packing Spec P/N: Standard with USB O/P, Individually Box
Box Qty: 80.0
Gift Box Size (mm): 90.5 x 73 x 53
Gift Box Color: White
Master Carton Size (mm): 388 x 380 x 245
Master GW (Kg): 12.0 kg
BLADES INCLUDED: Q-EU: Q-Series Europe
BLADE/CORD INSTALLED: Q-EU: Q-Series Europe

If specific packaging is required, this section must specify all requirements and note "no exceptions". If this section does not specify packaging, it is subject to change without notice at GlobTek's discretion



PROPRIETARY INFORMATION

PROPRIETARY OF GLOBTEK, INC. ANY REPRODUCTION, DISCLOSURE OR USE OF THIS DRAWING, IN WHOLE OR IN PART, IS HEREBY PROHIBITED EXCEPT AS SPECIFIED IN Page 10 of 12
WRITING BY GLOBTEK, INC.
mmünt /07/16/2014 10:12:07 AM

GlobTek, Inc.
www.globtek.com
186 Veterans Drive,
Northvale, NJ 07647
Tel. (201) 784-1000
Fax (201) 784-0111

Drawing Title: GTM41078-0605-USB, Medical Power Supply, Efficiency Level: V, Case Color/Style: GlobTek Black, Wall Plug-in, Regulated Switchmode AC-DC, Input Rating: 100-240V~, 50-60 Hz, Interchangeable Blades <http://en.globtek.com/interchangeable-blades.php>, Output Rating: 6W, 5V@1.2A, Output Configuration: N/A mm, N/A/4 Cond, N/A, Type "A" USB "JACK", integral to power supply enclosure, Ferrite: None, N/A, GT Cord # C0132, Pin Out: Pin 1: +V, Pin 2-3: connected, Pin 4: DC Common, Blades/Input Cord: Q-Series Europe, Approvals: CB, cETLus, cETLus 60601-1 3rd, China RoHS, Double Insulation, EC, GOST-R, IP20, Level V, LPS, PSE, RoHS 2, S-Mark, Ukraine, WEEE

Model No. GTM41078-0605-USB

Part No. WR9QA1200USBNMDEURVB

Rev A

INSTRUCTION SHEET

Q Blades Instruction Sheet

Insertion Instructions: <http://www.globtek.com/pdf/Instructions-Interchangeable-Blades.pdf>

This manual is Provided to customer within the product specification - it is the responsibility of the OEM/customer to provide the end system user instructions + warnings for the use of this product in the end system. By accepting this specification the customer/OEM Agrees to these terms.

USER MANUAL FOR Q-BLADE SERIES SWITCHING POWER SUPPLIES

Manual del Usuario. Fuentes de Alimentación Series Q-Blade

WARNING! RISK OF FIRE! SHOCK HAZARD!: To prevent electric shock, do not remove the cover. No user-serviceable parts inside. This unit contains hazardous voltages and should only be opened by a trained and qualified technician. Do not use if bent, cracked, modified or compromised. To avoid the possibility of electric shock, disconnect electric power to the product before connecting or disconnecting.

Advertencia! Riesgo de Fuego! Peligro de Choque eléctrico!

No contiene dentro componentes servibles para el usuario. Desconecte el cable de alimentación antes de quitar la cubierta.

INDOOR USE ONLY!

Únicamente para uso en el interior.

POWER SUPPLY BLADE/CORD: AC Mains voltage should be provided to the power supply by a power supply cords approved to

the national standards in which it will be used. Please use the below table as a guideline for Suitable Power cords.

CABLE DE ALIMENTACIÓN: El voltaje de la CA debe proporcionarse a la fuente de alimentación mediante

los cables de alimentación aprobados conforme a las normas nacionales según las cuales será utilizada. Utilice por favor la tabla mencionada aquí abajo como guía para los cables eléctricos adecuados.

1. Class II model NEMA 1-15P AC power plug with 2 prongs, Q-NA(R)
2. Australian AS 3112 configuration: SAA 2 pins Class II, Q-SAA(R)
3. UK BS 1363 configuration: UK 2 pins Class II, Q-UKY(R)
4. European CEE 7/16 configuration: Europlug 2 PINS, Class II, Q-EU(R)
5. Korean KS C8305 configuration: Q-KR(R)
6. Argentina IRAM 2073 configuration: 2 pins, Class II Q-AR(R)
7. China GR 2099 configuration: 2 pins, Class II Q-CN(R)
8. India configuration: 2 pins, Class II, Q-IN(R)
9. IEC320/C18 Inlet

GlobTek, Inc.
www.globtek.com
186 Veterans Drive,
Northvale, NJ 07647
Tel. (201) 784-1000
Fax (201) 784-0111

Drawing Title: GTM41078-0605-USB, Medical Power Supply, Efficiency Level: V, Case Color/Style: GlobTek Black, Wall Plug-in, Regulated Switchmode AC-DC, Input Rating: 100-240V~, 50-60 Hz, Interchangeable Blades <http://en.globtek.com/interchangeable-blades.php>, Output Rating: 6W, 5V@1.2A, Output Configuration: N/A mm, N/A/4 Cond, N/A, Type "A" USB "JACK", integral to power supply enclosure, Ferrite: None, N/A, GT Cord # C0132, Pin Out: Pin 1: +V, Pin 2-3: connected, Pin 4: DC Common, Blades/Input Cord: Q-Series Europe, Approvals: CB, cETLus, cETLus 60601-1 3rd, China RoHS, Double Insulation, EC, GOST-R, IP20, Level V, LPS, PSE, RoHS 2, S-Mark, Ukraine, WEEE

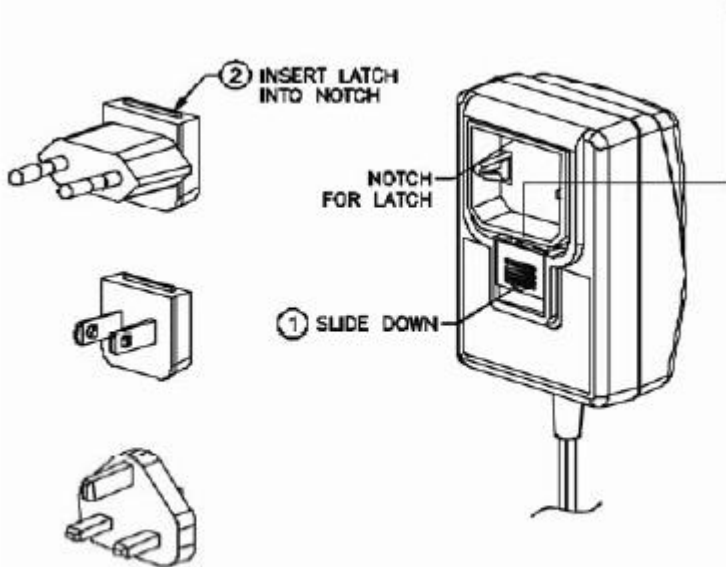
Model No. GTM41078-0605-USB

Part No. WR9QA1200USBMDEURVB

Rev A

FUSING: Internal fuse for Line is provided in the power supply. A blown internal fuse is an indication of catastrophic failure of circuit component(s). Repair must be performed by GlobTek, Inc. authorized personnel. Fuses must be replaced with same type and ratings per GlobTek internal documentation.

FUSIBLES: La fuente de alimentación provee un fusible interno para la línea. Un fusible interno quemado es un indicador de una falla catastrófica de los componentes del circuito. La reparación debe ser hecha por personal autorizado de GlobTek, Inc. Los fusibles se deben reemplazar por los mismos tipos y rangos que la documentación interna de GlobTek mencione.



This symbol on an instrument indicates that the user should refer to the operating instructions located in the manual.