

PROPRIETARY INFORMATION: PROPRIETARY OF GLOBTEK, INC. ANY REPRODUCTION, DISCLOSURE OR USE OF THIS DRAWING, IN WHOLE OR IN PART, IS HEREBY PROHIBITED EXCEPT AS SPECIFIED IN WRITING BY GLOBTEK, INC.	REVISION			
	REV	DESCRIPTION	DATE	APPROVED
	A	INITIAL RELEASE, RFS. 10330, SO	02/20/07	HM
	B	UPDATE SPEC., RFS. 17381, RN	11/03/09	HM



1. NOTES:

DIMENSIONS ARE IN MM UNLESS SPECIFIED OTHERWISE.

2. ELECTRICAL SPECIFICATIONS:

INPUT VOLTAGE: 100-240 VAC
 INPUT CURRENT: 0.3 A RMS MAX
 INPUT FREQUENCY: 47 - 63 Hz
 OUTPUT VOLTAGE : 5VDC
 OUTPUT CURRENT : 1.2A, NO MINIMUM LOAD REQUIRED TO MAINTAIN OUTPUT VOLTAGE REGULATION
 OUTPUT POWER (RATED): 6 WATTS MAX
 OUTPUT RIPPLE (PEAK TO PEAK): 1% OR 50 mV WHICHEVER IS GREATER. MEASURED AT 20 MHZ BANDWIDTH WITH 0.1 µf CERAMIC CAPACITOR IN PARALLEL WITH 10 µf ELECTROLYTIC CAPACITOR CONNECTED AT THE END OF OUTPUT CONNECTOR AT NOMINAL LINE
 OUTPUT LOAD REGULATION: ± 5 % OF NOMINAL OUTPUT VOLTAGE, MEASURED AT O/P CONNECTOR AT NOMINAL LINE
 LINE REGULATION: ± 1 % OF NOMINAL OUTPUT VOLTAGE, MEASURED AT O/P CONNECTOR
 TURN ON/ TURN OFF OVERSHOOT: ± 5% MAX 500µs MAX RECOVERY TIME FOR 25% STEP LOAD
 TURN-ON DELAY: 3000 mSEC MAX
 HOLD-UP TIME: 8 mSEC MIN AT NOMINAL INPUT AND FULL LOAD
 INRUSH CURRENT: 30 A MAX AT COLD START 115 VAC, 60A MAX COLD START 230VAC
 SWITCHING FREQUENCY: 66.5 KHz TYPICAL
 OVER-VOLTAGE PROTECTION: PROTECTED, UNIT WILL AUTORECOVER UPON REMOVAL OF FAULT
 OVER-CURRENT / SHORT CIRCUIT: PROTECTED, UNIT WILL AUTORECOVER UPON REMOVAL OF FAULT
 OTHER PROTECTION: INPUT LINE FUSING
 SAFETY APPROVALS : UL60950-1, CUL TO 22.2# 60950-1, INNOVA GS TO EN60950-1, CCC TO GB4943-2001, GB9254-1998, GB17625.1-2003, CE CLASS II, PSE TO J60950, CB REPORT, C-TICK TO AS/NZ 60950-1
 DIELECTRIC WITHSTAND VOLTAGE: 4242 VDC PRIMARY-SECONDARY
 LEAKAGE CURRENT: ≤ 300 µA AT 240 VAC
 EMI: COMPLIES WITH EN55011 CLASS B AND WHEN TESTED WITH A RESISTIVE LOAD, BOTH CONDUCTED AND RADIATED EMI, VCCI
 CE MARK: TESTED TO COMPLY WITH EN61000-3-2, EN61000-3-3, EN60601-1-2 2001, INCLUDING EN61000-4-2, EN61000-4-3, EN61000-4-4, EN61000-4-5, EN61000-4-6, EN61000-4-8, EN61000-4-11.
 EFFICIENCY: COMPLIES TO SECTION 301 OF ENERGY INDEPENDENCE AND SECURITY ACT (EISA) COMPLIES WITH ENERGY STAR TIER 2 (NORTH AMERICA), LEVEL V CECP TIER 2 (CHINA), MEPS TIER 2 (AUSTRALIA), CODE OF CONDUCT (EUROPE)
 MTBF: 200,000 HOURS AT 25°C AMBIENT TEMPERATURE
 OPERATING TEMPERATURE: 0°C TO 40° C
 STORAGE TEMPERATURE: -40°C TO 80° C
 HUMIDITY: 0% TO 90% RELATIVE HUMIDITY
 ROHS: COMPLIES WITH EU 2002/95/EC AND CHINA SJ/T 11363-2006

Foot Note: Globtek Inc. will not be liable for the safety and performance of these power supplies if unauthorized access and repair occurs. End user should consult applicable UL, CSA or EN standards for proper installation instructions	C	PART NO	REV.	DESCRIPTION	NOTES
		TABULATION BLOCK			
Limitation of Use: Globtek product are not authorized for use as mission critical components in life support, hazardous environment, nuclear or aircraft applications without prior written approval from the CEO of Globtek Inc.	INIT.BY: SO		DATE: 02/20/07	TOLERANCES: DECIMALS ANGULAR .xx +/- 0.1 +/- 1° .xxx +/- .005 MILLIMETERS ANGULAR .xx +/- 0.3 +/- 1° .xxx +/- .013	186 Veterans Dr. Northvale, NJ 07647 Tel. 201-784-1000 Fax 201.784.0111 www.globtek.com
	DRAWN: NF	DATE: 02/20/07	FSCN No.: G, N		
	Contents of this document are subject to change without prior notice	APRVD: HM	DATE: 02/20/07	CAGE CODE: 0GV V90 SCALE: NONE	PART NO: WR9QA1200LCP-N(R)

PROPRIETARY INFORMATION:

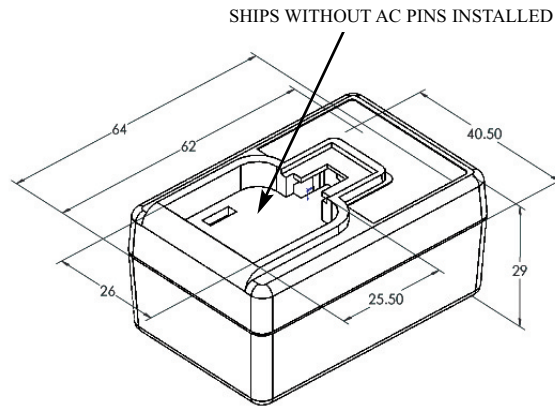
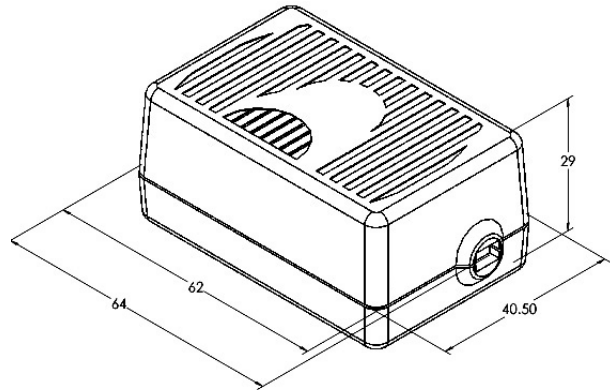
PROPRIETARY OF GLOBTEK, INC. ANY REPRODUCTION, DISCLOSURE OR USE OF THIS DRAWING, IN WHOLE OR IN PART, IS HEREBY PROHIBITED EXCEPT AS SPECIFIED IN WRITING BY GLOBTEK, INC.

3. ENCLOSURE

UPPER HOUSING: HIGH IMPACT PLASTIC, 94V0 POLYCARBONATE, NON-VENTED, COLOR BLACK

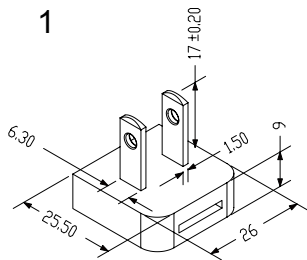
LOWER HOUSING: HIGH IMPACT PLASTIC 94V0 POLYCARBONATE, NON- VENTED, COLOR BLACK

SIZE: 64 x 40.5 x 29 mm

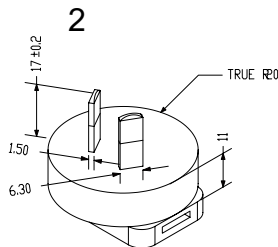


4. INPUT CONNECTORS:

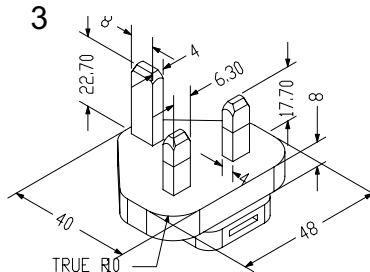
INPUT CONNECTORS OPTIONS Pins or Kits must be ordered separately		Input connector Kit options			
		Q-Kit	Q-Kit- INTL	Q-Kit-6	Q-Kit-7
1	CLASS II MODEL NEMA 1-15P AC POWER PLUG WITH 2 PRONGS, Q-NA(R)	X		X	X
2	AUSTRALIAN CONFIGURATION: SAA 2 PINS CLASS II, Q-SAA(R)	X	X	X	X
3	UK CONFIGURATION: UK 2 PINS CLASS II, Q-UK(R)	X	X	X	X
4	EUROPEAN CONFIGURATION: EUROPLUG 2 PINS, CLASS II, Q-EU(R)	X	X	X	X
5	KOREAN CONFIGURATION: Q-KR(R)			X	X
6	ARGENTINA CONFIGURATION: Q-AR(R)			X	X
7	CHINA CONFIGURATION: Q-CN(R)				X



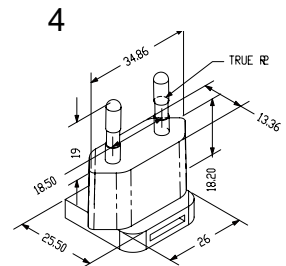
P/N: Q-NA (R)
NORTH AMERICA
JAPAN



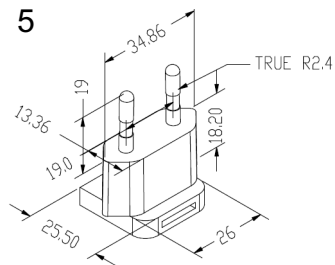
P/N: Q-SAA(R)
AUSTRALIA



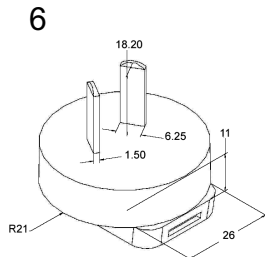
P/N: Q-UK(R)
UNITED KINGDOM
HONG KONG
SINGAPORE



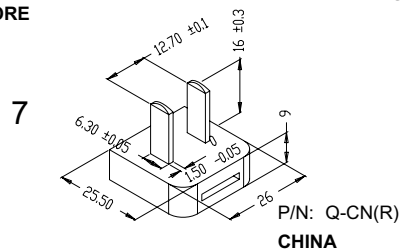
P/N: Q-EU(R)
EUROPE
SOUTH AMERICA



P/N: Q-KR(R)
KOREA



P/N: Q-AR(R)
ARGENTINA



P/N: Q-CN(R)
CHINA

GlobTek, Inc.
www.globtek.com

186 Veterans Dr. Northvale, NJ 07647
Tel. 201-784-1000 Fax 201.784.0111

DWG TITLE: WALL PLUG-IN SWITCHING POWER SUPPLY, 6WATTS, 5V@1.2A
UNIVERSAL INPUT, ITE, CLASS II

MODEL NO: GT-41076-0605

REV.
B

PART NO: WR9QA1200LCP-N(R)

SHEET 2 OF 5

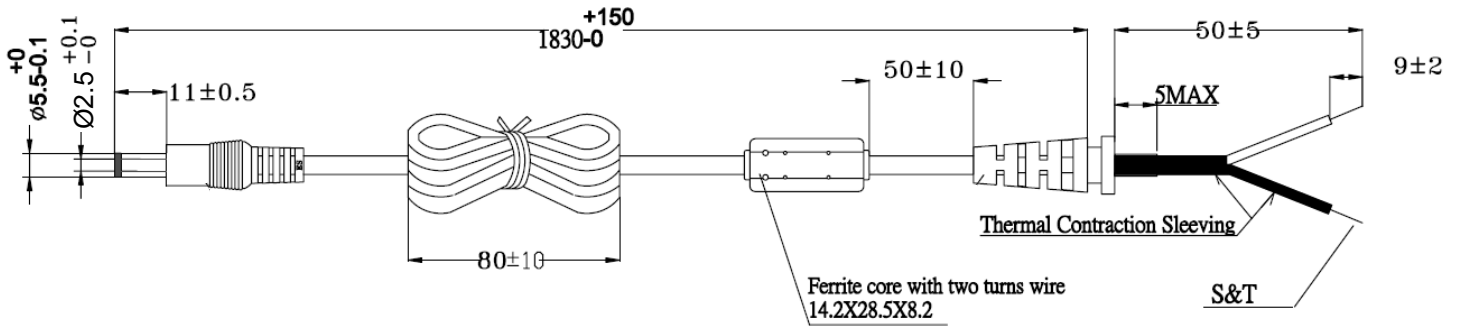
PROPRIETARY INFORMATION:
 PROPRIETARY OF GLOBTEK, INC. ANY REPRODUCTION, DISCLOSURE OR USE OF THIS DRAWING, IN WHOLE OR IN PART, IS HEREBY PROHIBITED EXCEPT AS SPECIFIED IN WRITING BY GLOBTEK, INC.

5. OUTPUT CORD:

1 CONDUCTOR+SHIELD, 18 AWG STRANDED WIRE, ROUND UL# 1185, COLOR BLACK, LENGTH (L) OF CORD: 1830 +150, -0 mm. CORD IS MEASURED FROM THE HOUSING TO THE END OF OVERMOLD OF THE CONNECTOR. CABLE IS TO BE MARKED WITH WIRE GAUGE, AND ALL APPLICABLE RATING AND SAFETY APPROVALS. CABLE HAS MOLDED INLINE FERRITE.

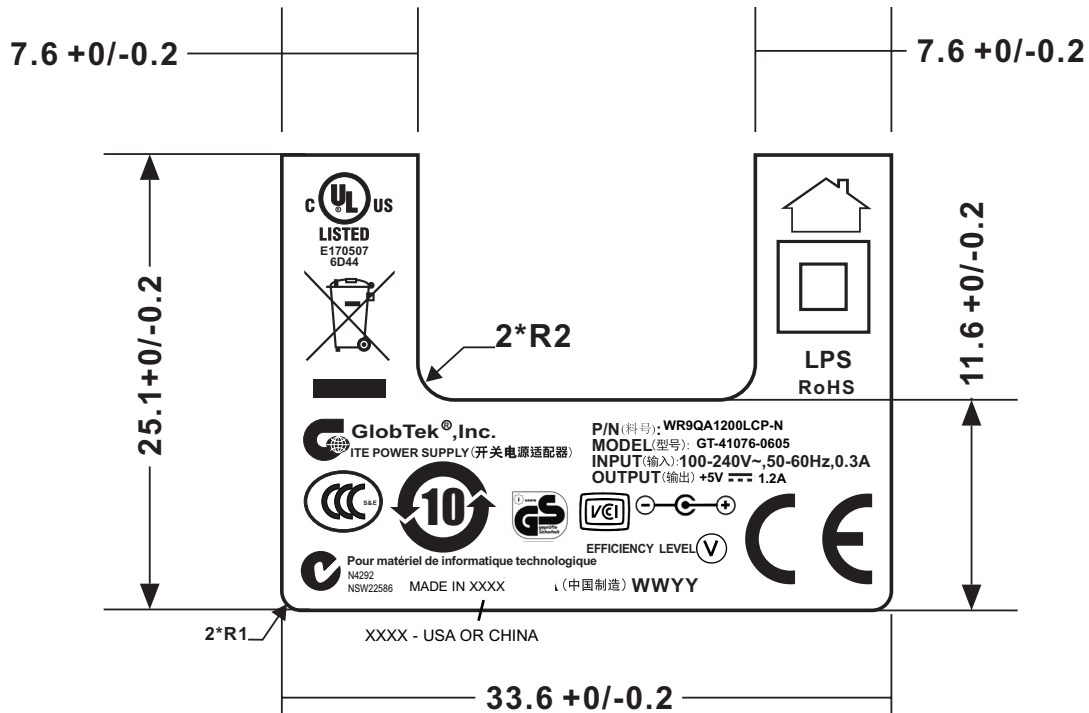
OUTPUT CONNECTOR:

STANDARD, STRAIGHT FEMALE BARREL 5.5 x 2.5 x 11 mm WITH CENTER POSITIVE:



6. LABEL:

MATERIAL: .007 (0.18) THICK FLAT THERMAL TRANSFER, IMPRINTABLE, BLACK POLYESTER SHEET WITH WHITE OR GRAY NOMENCLATURE. MANUFACTURER: STEVEN LABEL, MATERIAL I.D. NO.3302-33, UL FILE NO. MH12821(N), UL MATERIAL DESIGNATION FILE NO. GHW332RL. OPTIONAL LABEL MATERIAL CAN BE SUBSTITUTED PROVIDING MATERIAL IS UL LISTED AND COMPLIES WITH APPLICABLE SAFETY REQUIREMENTS.



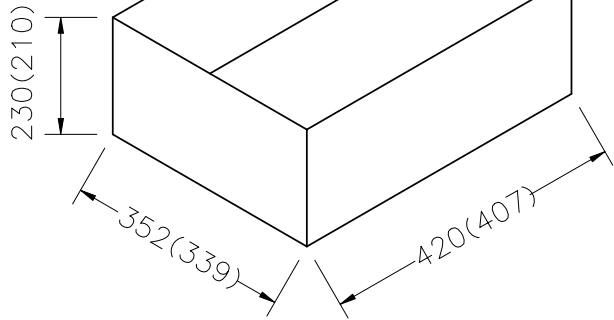
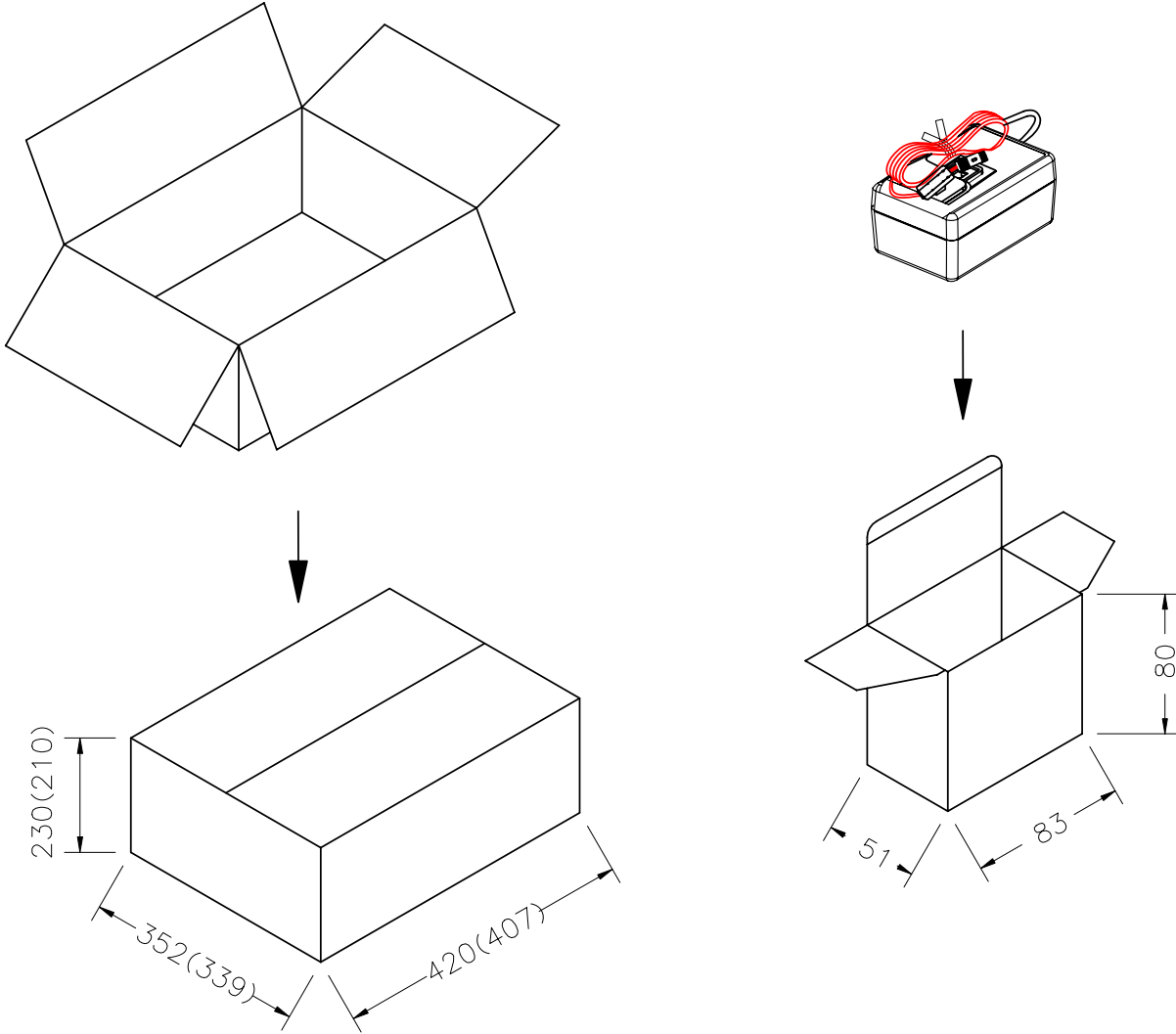
↓
 AVAILABLE UPON REQUEST

ACTUAL POSITIONING OF SYMBOLS AND TEXT IS SUBJECT TO CHANGE AT TIME OF MANUFACTURE


GlobTek, Inc. www.globtek.com		186 Veterans Dr. Northvale, NJ 07647 Tel. 201-784-1000 Fax 201.784.0111
DWG TITLE: WALL PLUG-IN SWITCHING POWER SUPPLY, 6WATTS, 5V@1.2A UNIVERSAL INPUT, ITE, CLASS II		
MODEL NO: GT-41076-0605	REV. B	
PART NO: WR9QA1200LCP-N(R)	SHEET 3 OF 5	

PROPRIETARY INFORMATION:
PROPRIETARY OF GLOBTEK, INC. ANY REPRODUCTION, DISCLOSURE OR USE OF THIS DRAWING, IN WHOLE OR IN PART, IS HEREBY PROHIBITED EXCEPT AS SPECIFIED IN WRITING BY GLOBTEK, INC.

7. PACKING:



CARTON INTERNAL SIZE: 420*352*230 mm
Q-TY: 80 PCS (20*4)
G.W.: 12.0 kgs

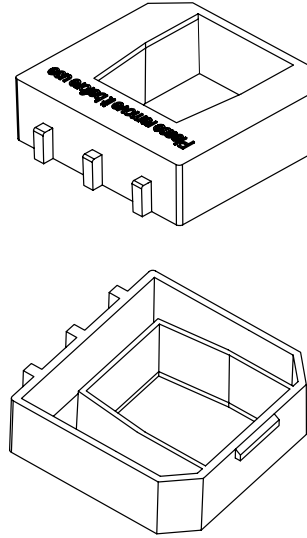
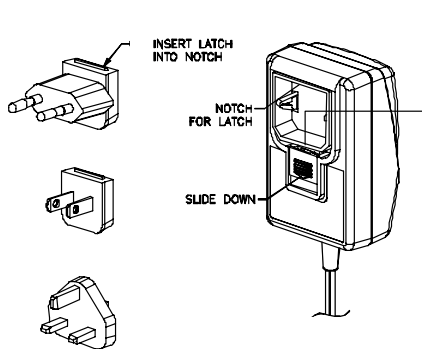
 GlobTek, Inc. www.globtek.com		186 Veterans Dr. Northvale, NJ 07647 Tel. 201-784-1000 Fax 201.784.0111
DWG TITLE: WALL PLUG-IN SWITCHING POWER SUPPLY, 6WATTS, 5V@1.2A UNIVERSAL INPUT, ITE, CLASS II		
MODEL NO: GT-41076-0605		REV. B
PART NO: WR9QA1200LCP-N(R)		SHEET 4 OF 5

PROPRIETARY INFORMATION:

PROPRIETARY OF GLOBTEK, INC. ANY REPRODUCTION, DISCLOSURE OR USE OF THIS DRAWING, IN WHOLE OR IN PART, IS HEREBY PROHIBITED EXCEPT AS SPECIFIED IN WRITING BY GLOBTEK, INC.

AC PLUG ASSEMBLY INSTRUCTION

PROTECTION FRAME(Color white or black)
Note: Please remove before insert the AC PLUG




China RoHS SELF DISCLOSURE TABLE

有毒有害物质或元素名称及含量标准形式 Name and concentration of hazardous substance or element in product						
零件名 Name of part	剧毒有害物质或元素 Hazardous substance or element					
	铅 Pb	汞 Hg	镉 Cd	六价铬 Cr(VI)	多溴联苯 PBB	多溴二苯醚 PBDE
Diode (DF) 二极管	X	○	○	○	○	○
SMD resistor SMD 电阻	X	○	○	○	○	○
SMD Diode SMD 二极管	X	○	○	○	○	○
AC PIN 交流输入端子	X	○	○	○	○	○

○: 表示该有毒有害物质在这部件中所有同质材料中的含量均在SJ/T 11363-2006规定的限量要求以下。
○: refers to the concentration of this hazard substance in the all homogenous materials in this part is below the concentration limit as stipulated in the standard SJ/T 11363-2006.

X: 表示该有毒有害物质至少在这部件中的某一同质材料中的含量超出 SJ/T 11363-2006规定的限量要求。
X: refers to the concentration of this hazard substance at least in a homogenous material is higher than the concentration limit as stipulated in the standard SJ/T 11363-2006.

 GlobTek, Inc. www.globtek.com	186 Veterans Dr. Northvale, NJ 07647 Tel. 201-784-1000 Fax 201.784.0111
	DWG TITLE: WALL PLUG-IN SWITCHING POWER SUPPLY, 6WATTS, 5V@1.2A UNIVERSAL INPUT, ITE, CLASS II
MODEL NO: GT-41076-0605	REV. B
PART NO: WR9QA1200LCP-N(R)	SHEET 5 OF 5