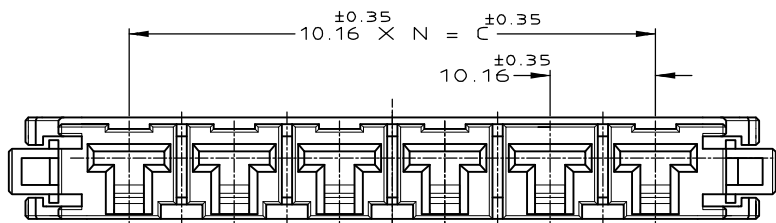
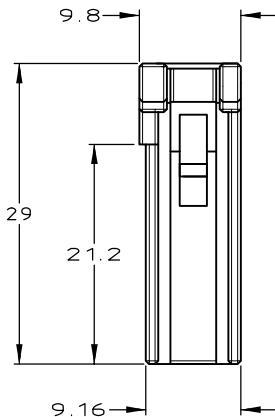
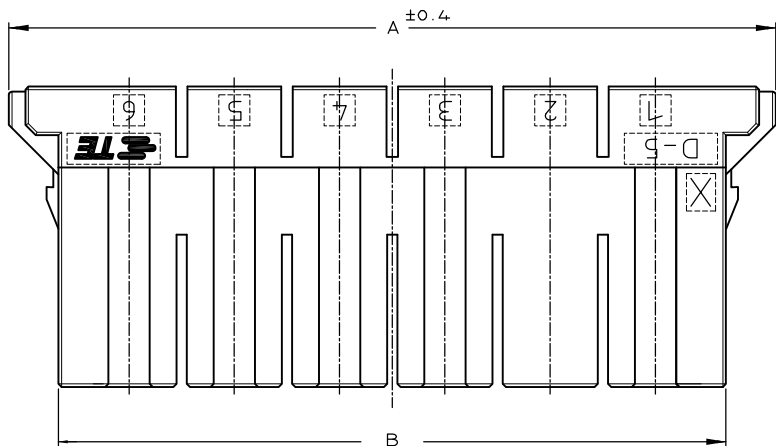
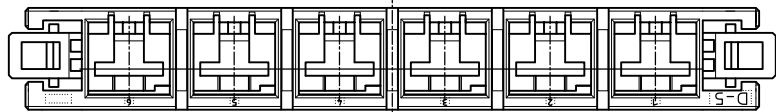


THIS DRAWING IS UNPUBLISHED. RELEASED FOR PUBLICATION

© COPYRIGHT - By Tyco Electronics Japan G.K.

ALL RIGHTS RESERVED.

LOC	DIST	REVISIONS			DATE	DWN	APVD
P	LTR	DESCRIPTION					
	F	REVISED		27SEP2013	H.U	N.Y	



1-179958-6 (KEYING CODE:X)

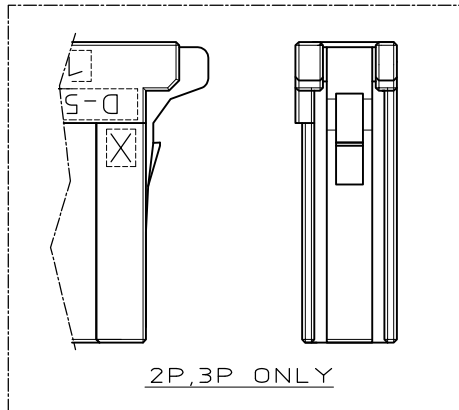
AS SHOWN

1-179958-6 (KEYING CODE:X)

1-179958-4 (KEYING CODE:X)

2-179958-6 (KEYING CODE:Y)

2-179958-4 (KEYING CODE:Y)



注記

- ① 材料: ハウジング: ガラス入り熱可塑性ポリエステル樹脂(94V-0),色: 黒
- ② ハウジング全面にテフロン塗装のこと
- ③ 製品規格 :108-5453

NOTES

- ① MATERIAL: HOUSING: GLASS FILLED THERMO PLASTIC POLYESTER(94V-0), COLOR: BLACK
- ② TO COAT ALL SURFACE OF HOUSING WITH TEFLON
- ③ PRODUCT SPEC :108-5453

FINISH	C	B	A	N	POS	COLOR	P/N
						BLACK	2-179958-6
	50.8	64.4	74	5	6	BLACK	1-179958-6
OBSOLETE						BLACK	5-179958-4
						BLACK	2-179958-4
OBSOLETE						BLACK	1-179958-4
						NATURAL	9-179958-3
						BLACK	2-179958-3
	20.32	33.92	45.92	2	3	BLACK	1-179958-3
						BLACK	2-179958-2
	10.16	23.76	35.76	1	2	BLACK	1-179958-2

1-179958-3 (KEYING CODE:X)

1-179958-2 (KEYING CODE:X)

9-179958-3 (KEYING CODE:Y)

2-179958-3 (KEYING CODE:Y)

2-179958-2 (KEYING CODE:Y)

THIS DRAWING IS A CONTROLLED DOCUMENT.

DWN Y.ISHIKAWA 22MAR1995

CHK S.MANABE 23MAR1995

APVD S.MANABE 23MAR1995

PRODUCT SPEC

APPLICATION SPEC

WEIGHT

CUSTOMER DRAWING

SCALE 2:1

SHEET 1 of 1

REV F

TE Connectivity

SINGLE ROW REC HSG DYNAMIC D-5200

SIZE A3

CAGE CODE 00779

DRAWING NO C-179958

RESTRICTED TO