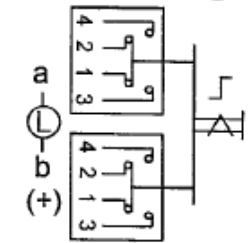


type no.:

ADA16E6- R 11-A 1 □ R



Electrical Diagram



with S60-025-01



- : Lamps
- 1 : Pushlock turn to reset
- A : 1NO/1NC+1NO/1NC

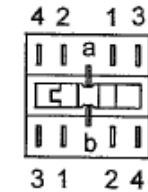
- 0 : Without lamps
- A : Incandescent 6V AC/DC 200mA
- B : Incandescent 14V AC/DC 80mA
- C : Incandescent 28V AC/DC 40mA
- F : Neon 110V/AC
- G : Neon 220V/AC
- H : LED 6V DC
- J : LED 12V DC
- K : LED 24V DC
- K1 : LED 12~24V AC/DC
- P : LED 120V AC

order no.:

ADA16E6-R11-A1□R/□□□

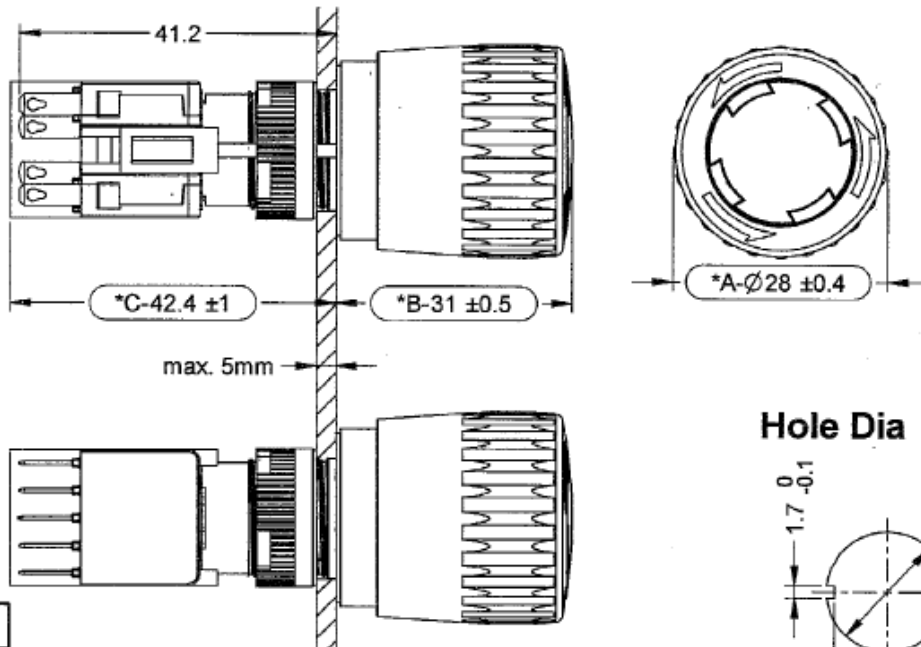
(Order no. codes)

Bottom View



Soldering/Plug-in Type Emergency Stop Switches

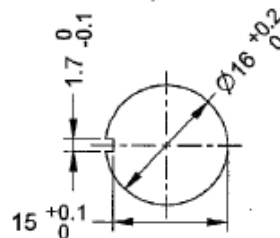
Dimensions



Product Specifications

- Mechanical lifetime : >0.1 million operations
- Electric rating : 250V AC 5A
- Dielectric strength : >1500V 60Hz 1minute between all terminals
- Motion tolerance : <20 operations / minute
- Panel thickness : 0.5mm ~ 5mm
- Degree of protection : IP 65 (real usage IP66)
- Storage temperature : -40°C to +70°C
- Operating temperature: -25°C to +55°C with lamp (-25°C to +70°C without lamp)
- Contact resistance : ≤50mΩ (initial)

Hole Dia



Distributed by Conrad Electronic SE

定案
F
REV.

DECA[®]SwitchLab Inc.			PART NAME	UNIT	SCALE
			Soldering/Plug-in Type Emergency Stop Switches	MM	
DESIGNER <i>Vongchan</i>	CHECK <i>Wadonk</i>	APPROVE <i>[Signature]</i>	DRAWING NO.		SHEET
DATE 2014-05-24	DATE 2014-05-24	DATE 2014-05-24	ADA16E6-R11-A1xR		1 / 1