

RYOBI®

ORIGINAL INSTRUCTIONS

Electric Blower/ Vacuum

RBV3000CESV



Important!

It is essential that you read the instructions in this manual before assembling, operating and maintaining this machine.

Subject to technical modification.

⚠ WARNING

When using the product, the safety rules must be followed. For your own safety and that of bystanders, you must read and fully understand these instructions before operating the product. Please keep these instructions safe for later use.

⚠ WARNING

This power tool is not intended to be used by children or persons with reduced physical, mental or sensory capabilities. Children should be adequately supervised to ensure they do not play with the power tool.

GENERAL SAFETY WARNINGS

TRAINING

- Read the instructions carefully. Be familiar with the controls and the correct use of the product.
- Never allow children, persons with reduced physical, sensory or mental capabilities or lack of experience and knowledge or people unfamiliar with these instructions to use the product. Local regulations may restrict the age of the operator.
- Keep in mind, that the operator or user is responsible for accidents or hazards occurring to other people or their property.
- Keep bystanders, children and pets 15 m away from the area of operation. Stop the product if anyone enters the area.
- Never use the product when you are tired, ill or under the influence of alcohol, drugs or medicine.

ELECTRICAL SAFETY

- Power plugs must match the outlet. Never modify the plug in any way. Do not use any adapter plugs with earthed (grounded) power tools. Unmodified plugs and matching outlets will reduce risk of electric shock.
- Avoid unintentional starting. Always check that the switch is in the Off position before plugging in the product to the power supply. Do not carry a plugged in product with your finger on the switch.
- Avoid body contact with earthed or grounded surfaces, such as pipes, radiators, ranges and refrigerators. There is an increased risk of electric shock if your body is earthed or grounded.
- Do not expose this product to rain or wet conditions. Water entering an appliance will increase the risk of electric shock.
- Electrical power should be supplied via a residual current device (RCD) with a tripping current of not more than 30 mA.
- Before every use, examine the power cord for damage. If there are signs of damage, it must be replaced by an authorised service centre. Always uncoil the power cord during use; coiled cables can overheat.
- If you need to use an extension cord ensure it is suitable for outdoor use and has a current capacity rating

sufficient to supply your tool. The extension cord cable should be marked with either "H05 RN F" or "H05 VV F". Check the extension cord before every use for damage. Always uncoil the extension cord during use because coiled cords can overheat. Damaged extension cords should not be repaired, they should be replaced with an equivalent type.

- Make sure the power cord is positioned so that it will not be stepped on, tripped over or otherwise subjected to damage or stress.
- Never pick up or carry the product by the electric cable.
- Never pull by the power cord to disconnect from the power supply.
- Keep the power cord away from heat, oil and sharp edges.
- Always direct the cable to the rear away from the machine.
- Make sure voltage is correct for your product. A nameplate on the product indicates the unit's voltage. Never connect the product to an AC voltage that differs from this voltage.
- Make sure the switch is in Off position before disconnecting from power supply.

PREPARATION

- Some regions have regulations that restrict the use of the product to some operations. Check with your local authority for advice.
- While operating the product always wear substantial footwear and long trousers. Do not operate the product when barefoot or wearing open sandals. Avoid wearing clothing that is loose fitting or that has hanging cords or ties; they can be caught in moving parts.
- Do not wear loose clothing or jewellery that can be drawn into the air inlet.
- Secure long hair so it is above shoulder level to prevent entanglement in moving parts.
- Wear hearing protection at all times whilst operating the product. This product is extremely noisy and permanent hearing may result if precautions to limit your exposure, reduce noise and wear hearing protection are not strictly adhered to.
- Wear full eye protection at all times whilst operating this product. The manufacturer strongly suggests a full face mask or fully enclosed goggles. Normal spectacles or sun glasses are not adequate protection. Objects can be thrown at high speed by the powerful air jet at any time and may rebound from hard surfaces toward the operator.
- Ensure before each use that all controls and safety devices function correctly. Do not use the tool if the "off" switch does not stop the product.
- Before each use, always visually inspect to see, that the housing is undamaged and that guards and handles are in place and properly secured.
- Return to an authorised service centre to replace damaged or unreadable labels.
- Never operate the appliance with defective guards or shields, or without safety devices, for example debris

collector in place.

- Keep all cooling air inlets clear of debris.
- Use rakes and brooms to loosen debris before blowing/vacuuming.
- Clear the work area before each use. Remove all objects such as rocks, broken glass, nails, wire, or string which can be blown a considerable distance by high velocity air.

WARNING

Before using the product in vacuum mode you must assemble the upper and lower vacuum tubes together as shown on page 7. This is a once only operation. Never operate the vacuum with only the upper vacuum tube fitted. The risk of personal injury is significantly increased if you fail to follow this warning.

OPERATION

- If the cord becomes damaged during use, disconnect the cord from the power supply immediately. **Do not touch the cord before disconnecting the power supply.** Do not use the product if the cord is damaged or worn.
- Operate the product only at reasonable hours – not early in the morning or late at night when people might be disturbed.
- Never operate the product in an explosive atmosphere.
- Avoid using the product in bad weather conditions especially when there is a risk of lightning.
- Do not operate in poor lighting. The operator requires a clear view of the work area to identify potential hazards.
- Use of hearing protection reduces the ability to hear warnings (shouts or alarms). The operator must pay extra attention to what is going on in the working area.
- Do not get distracted and always concentrate on what you are doing. Think about and consider the effect of your actions carefully.
- Operating similar tools nearby increases both the risk of hearing injury and the potential for other persons to enter your working area.
- Keep firm footing and balance. Do not overreach. Overreaching can result in loss of balance.
- Always be sure of the footing on slopes and walk, never run.
- Keep all parts of your body away from any moving part. Rotating impeller blades can cause severe injury. Stop the product and ensure impeller blades have stopped rotating before opening the fan cover, installing or changing tubes, opening or removing debris bag.
- Never run the product without the proper equipment attached. When used as a blower, always install the blower tubes and close the fan cover. When used as a vacuum, always install the vacuum tubes and vacuum bag.
- Do not modify the product in any way or use parts and accessories which are not recommended by the manufacturer.

WARNING

If the product is dropped, suffers heavy impact or begins to vibrate abnormally, immediately stop the product and inspect for damage or identify the cause of the vibration. Any damage should be properly repaired or replaced by an authorised service centre.

- To reduce the risk of injury associated with contacting rotating parts, always stop the product, disconnect from the mains, and make sure all moving parts have come to a stop:
 - before cleaning or clearing a blockage
 - when leaving the product unattended
 - before installing or removing attachments
 - before checking, maintenance or working on the product
 - after striking a foreign object to inspect the product for damage
 - if the product starts to vibrate abnormally (inspect immediately)

WARNING

Your blower/vacuum may be supplied with a harness. Carefully adjust the harness to comfortably help to support the weight of the product.

Identify the quick release mechanism and practice using it before you start using the product. Its correct use may prevent serious injury in the case of an emergency. Never wear additional clothing over the harness or otherwise restrict access to the quick release mechanism.

BLOWER SAFETY WARNINGS

- Wear a face filter mask in dusty conditions to reduce the risk of injury associated with the inhalation of dust.
- Do not point the blower nozzle in the direction of people or pets.
- Never place objects inside the blower tubes.
- Do not operate the product near open windows, etc.
- Slightly dampen surfaces in dusty conditions.
- Use the full blower nozzle extension so the air stream can work close to the ground.
- Do not place blower on top of or near loose debris. Debris may be sucked into intake vent resulting in possible damage to the product.

VACUUM SAFETY WARNINGS

WARNING

Never operate the vacuum with only the upper vacuum tube fitted. The risk of personal injury is significantly increased if you fail to follow this warning.

- Do not operate vacuum without vacuum bag assembly installed; flying debris could cause serious injury. Make sure the vacuum bag is completely zipped closed

before operating.

- Move the vacuum from side to side along outer edge of debris. To avoid clogging, do not place the vacuum tube directly into the debris pile.
- Hold the motor higher than the inlet end of the vacuum tube.
- Always point vacuum tube downhill when working on a hillside.
- To avoid serious injury to the operator or damage to the product, do not try to vacuum up rocks, broken glass, bottles, or other similar objects.
- Avoid situations that could cause fire in the vacuum bag. Do not operate near an open flame. Do not vacuum warm ash from fireplaces, barbecue pits, etc. Do not vacuum discarded cigars or cigarettes unless the cinders are completely cool.

TRANSPORTATION AND STORAGE

- Stop the product, disconnect from the mains and allow it to cool before storing or transporting.
- Clean all foreign material from the product. Store it in a cool dry and well-ventilated place that is inaccessible to children. Keep away from corrosive agents such as garden chemicals and de-icing salts. Do not store outdoors.
- For transportation, secure the product against movement or falling to prevent injury to persons or damage to the product.

MAINTENANCE

WARNING

Use only original manufacturer's replacement parts, accessories and attachments. Failure to do so can cause possible injury, poor performance and may void your warranty.

WARNING

Servicing requires extreme care and knowledge and should be performed only by a qualified service technician. For service we suggest you return the product to your nearest authorised service centre for repair. When servicing, use only identical replacement parts.

- You may make adjustments and repairs described here. For other repairs, contact the authorised service agent.
- After each use, clean the product with a soft dry cloth.
- Check all nuts, bolts and screws at frequent intervals for proper tightness to ensure the product is in safe working condition. Any part that is damaged should be properly repaired or replaced by an authorised service centre.

INTENDED USE

The product is only intended for use outdoors.

This product is not intended to be used by children or persons with reduced physical, mental or sensory capabilities.

The product is intended for blowing light debris including leaves, grass and other garden refuse. It is intended to vacuum and lightly mulch debris as described above and deposit it into the collection bag. It is not designed to suck or vacuum water or other liquid.

RESIDUAL RISKS

Even when the product is used as prescribed, it is still impossible to completely eliminate certain residual risk factors. The following hazards may arise in use and the operator should pay special attention to avoid the following:

- Injury caused by vibration. Always use the right tool for the job, use designated handles and restrict working time and exposure.
- Exposure to noise can cause hearing injury. Wear ear protection and limit exposure.
- Injury from flying objects from the blow tube airflow or vacuum exhaust if the bag is not fitted or damaged. Wear adequate eye protection at all times.

RISK REDUCTION

It has been reported that vibrations from hand-held tools may contribute to a condition called Raynaud's Syndrome in certain individuals. Symptoms may include tingling, numbness and blanching of the fingers, usually apparent upon exposure to cold. Hereditary factors, exposure to cold and dampness, diet, smoking and work practices are all thought to contribute to the development of these symptoms. There are measures that can be taken by the operator to possibly reduce the effects of vibration:

- Keep your body warm in cold weather. When operating the product wear gloves to keep the hands and wrists warm. It is reported that cold weather is a major factor contributing to Raynaud's Syndrome.
- After each period of operation, exercise to increase blood circulation.
- Take frequent work breaks. Limit the amount of exposure per day.

If you experience any of the symptoms of this condition, immediately discontinue use and see your doctor about these symptoms.

WARNING

Injuries may be caused, or aggravated, by prolonged use of a tool. When using any tool for prolonged periods, ensure you take regular breaks.

KNOW YOUR PRODUCT

See page 6.

1. Fan cover
2. Upper vacuum tube
3. Lower vacuum tube
4. Guide wheels
5. High speed nozzle

6. Lower blow tube
7. Upper blow tube
8. Vacuum bag
9. Bag adaptor
10. Blower/vacuum mode selection lever
11. Front handle
12. Speed selector
13. Rear handle
14. On/Off trigger



Vacuum mode

SYMBOLS ON THE PRODUCT



Read and understand all instructions before operating the product, follow all warnings and safety instructions.



Beware of thrown or flying objects. Keep all bystanders, especially children and pets, at least 15 m away from the operating area.



Rotating fans. Keep hands and feet out of openings while the product is running.



Wear ear protection.



Wear eye protection.



Do not expose to rain or damp condition.



Switch off: remove plug from mains before cleaning or maintenance



Remove plug from the mains immediately before maintenance or if cable is damaged or cut.



Conforms to all regulatory standards in the country in the EU where the product is purchased.



GOST-R Conformity



Class II tool, double insulation



Waste electrical products should not be disposed of with household waste. Please recycle where facilities exist. Check with your local authority or retailer for recycling advice.



The guaranteed sound power level is shown on this label by 108 dB.



Blower mode

SYMBOLS IN THIS MANUAL



Connect to power outlet.



Disconnect from power outlet.



Note



Warning

The following signal words and meanings are intended to explain the levels of risk associated with this product.

⚠ DANGER

Indicates an imminently hazardous situation, which, if not avoided, will result in death or serious injury.

⚠ WARNING

Indicates a potentially hazardous situation, which, if not avoided, could result in death or serious injury.

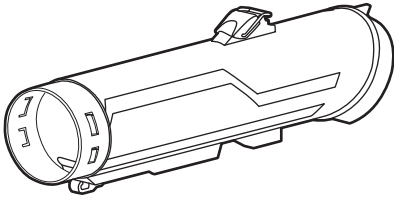
⚠ CAUTION

Indicates a potentially hazardous situation, which, if not avoided, may result in minor or moderate injury.

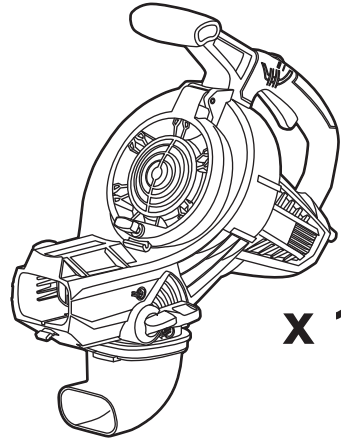
CAUTION

Without safety alert symbol

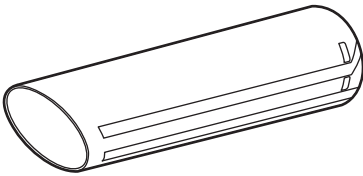
Indicates a situation that may result in property damage.



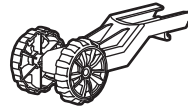
x 1



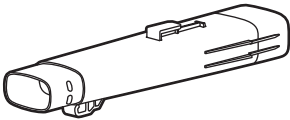
x 1



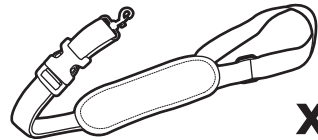
x 1



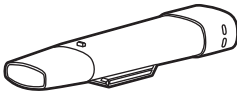
x 1



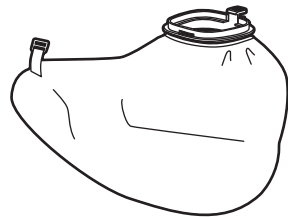
x 1



x 1



x 1



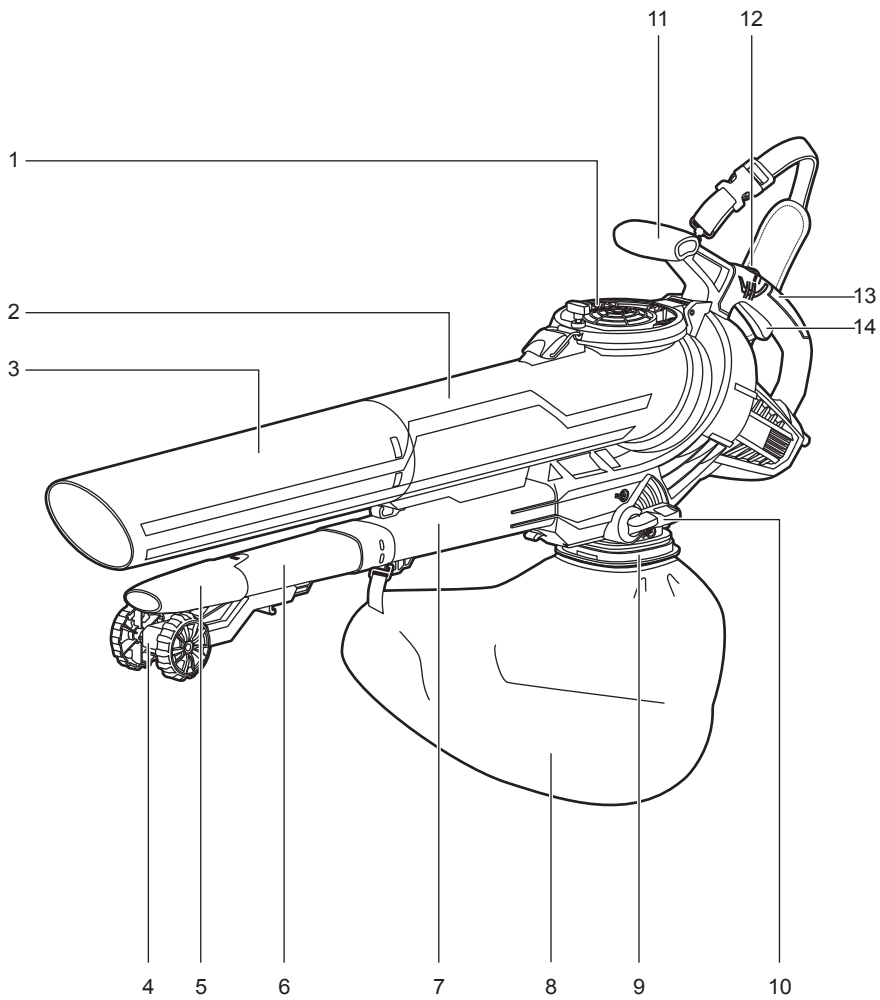
x 1

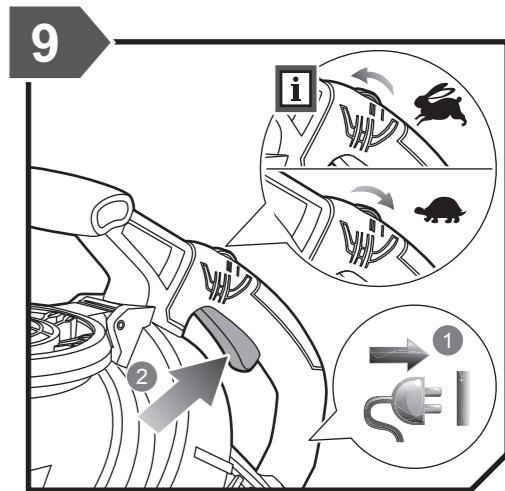
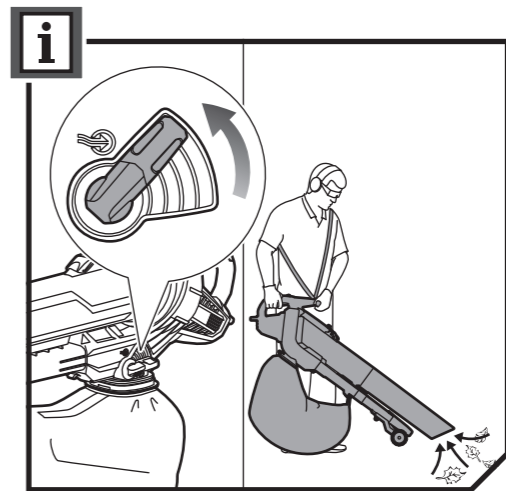
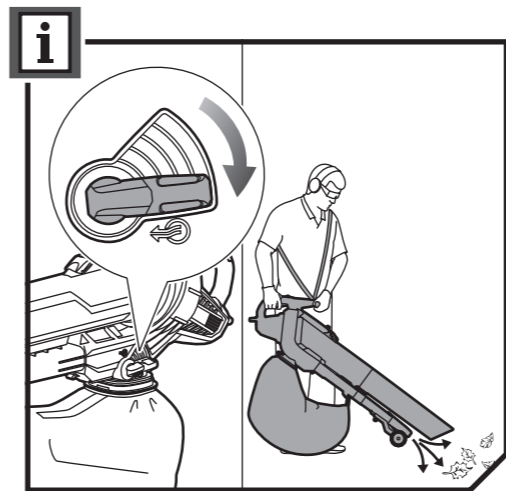
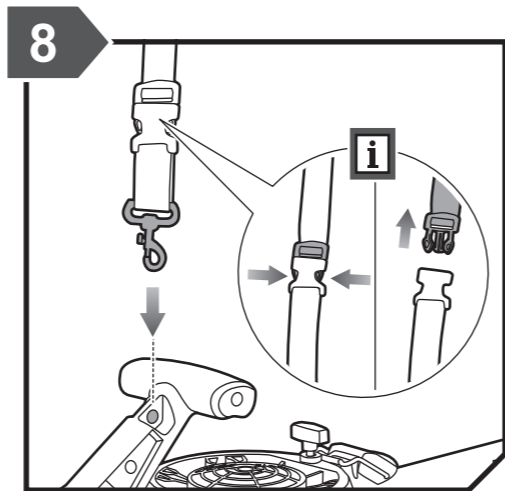
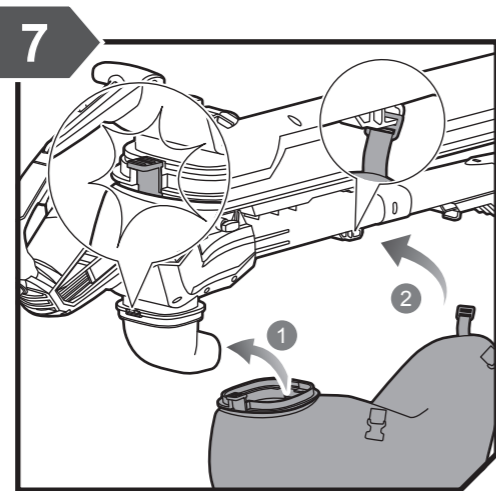
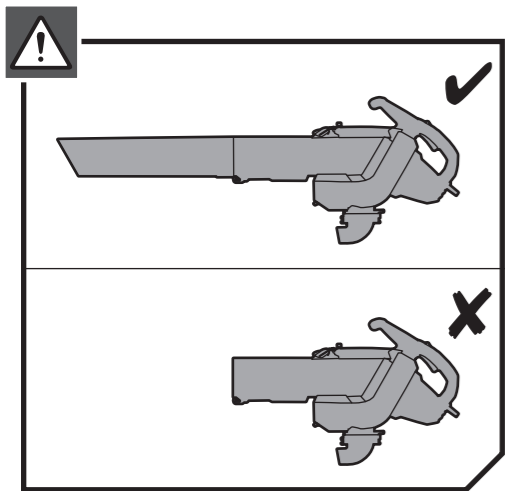
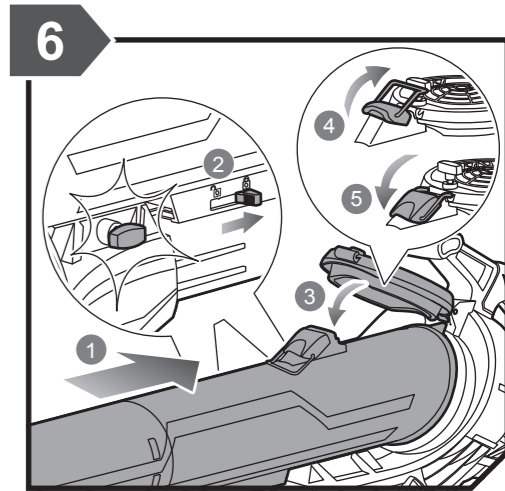
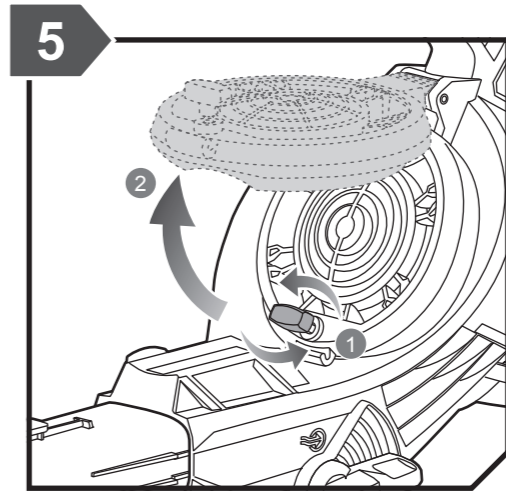
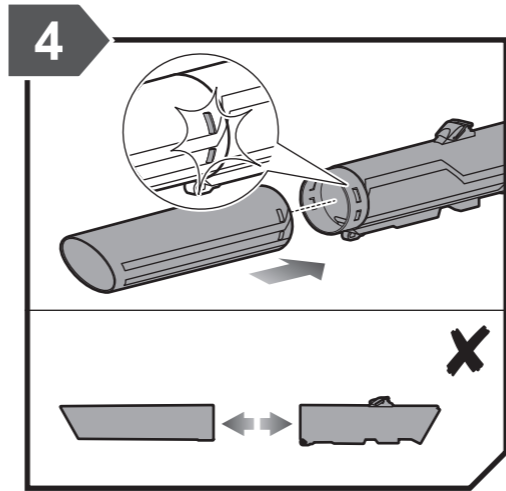
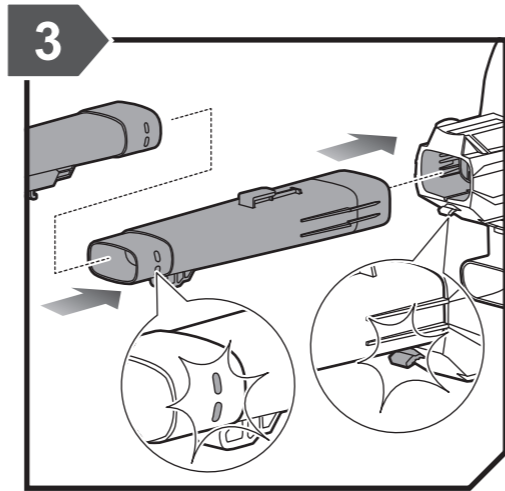
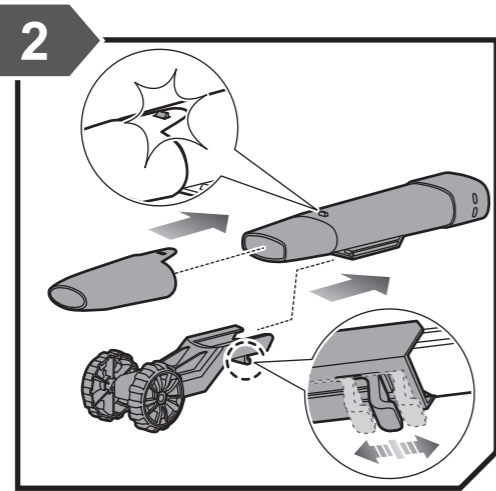
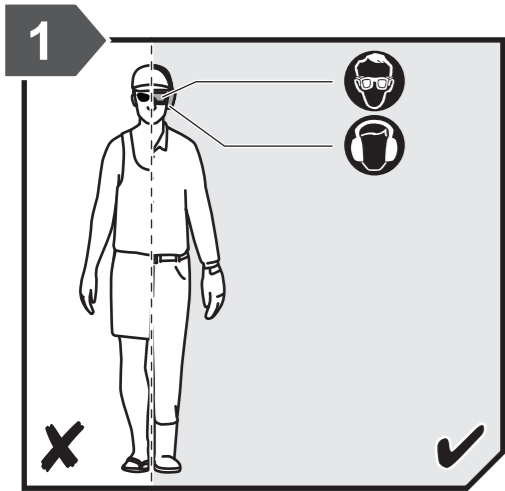


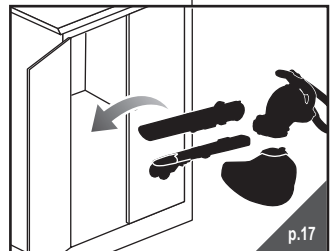
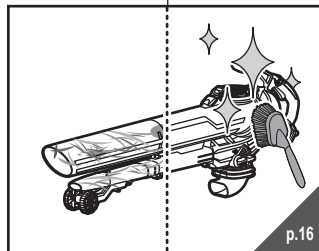
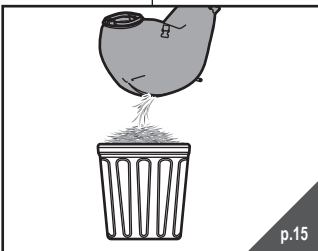
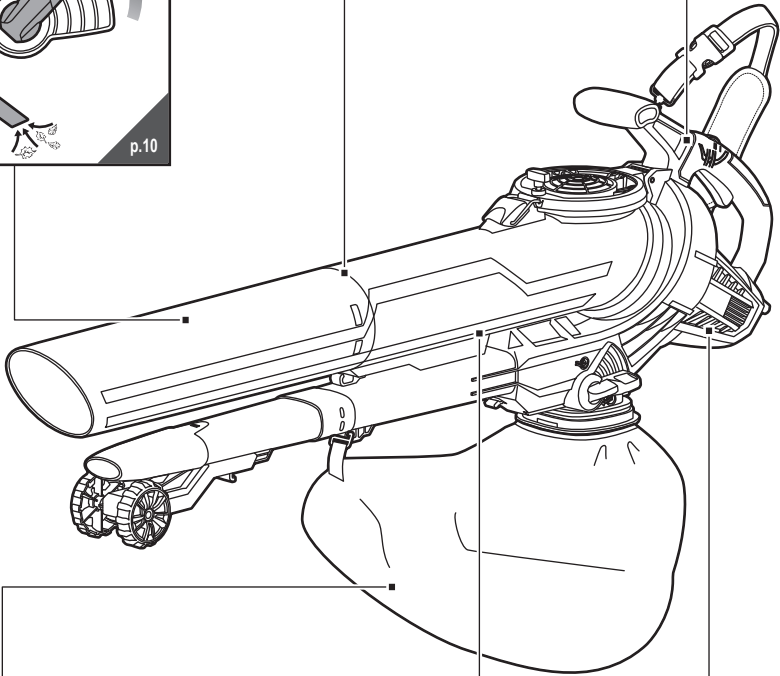
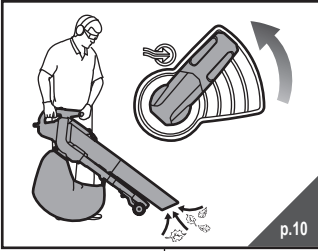
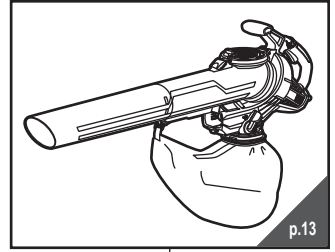
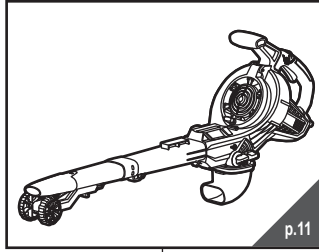
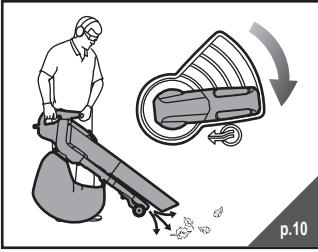
x 1

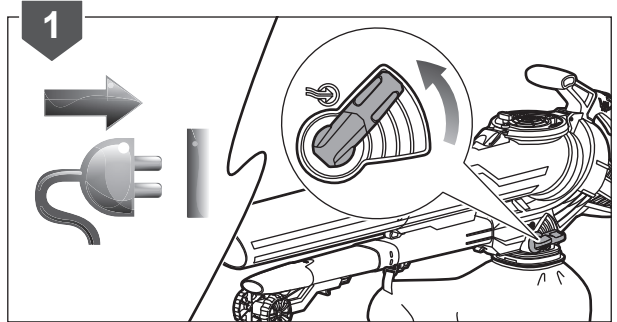
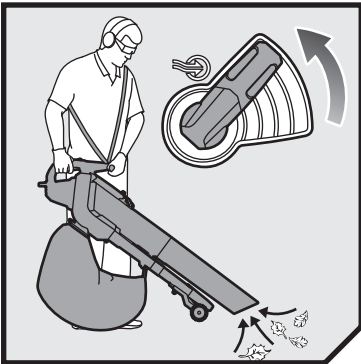
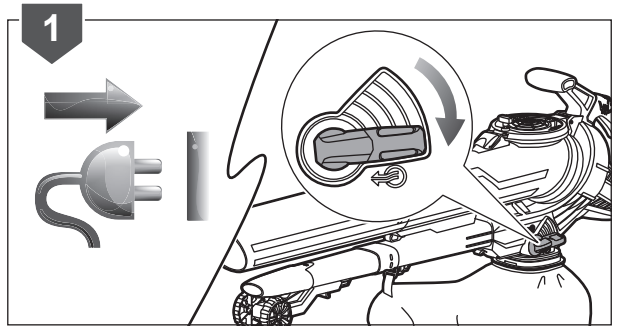


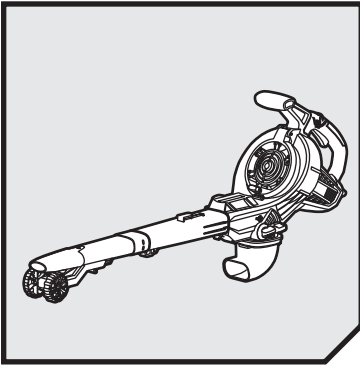
x 1



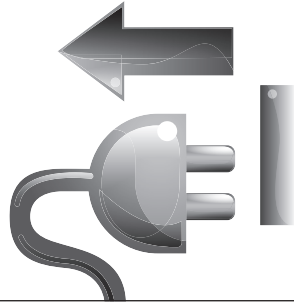




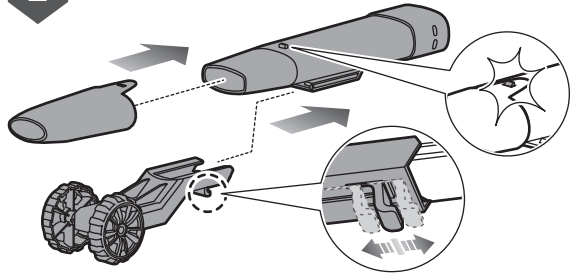




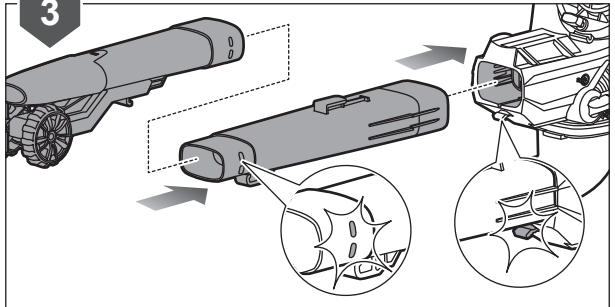
1



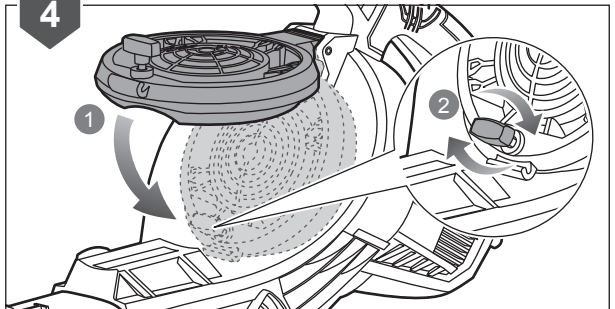
2



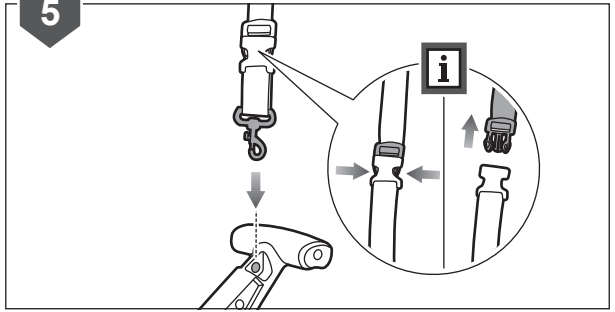
3



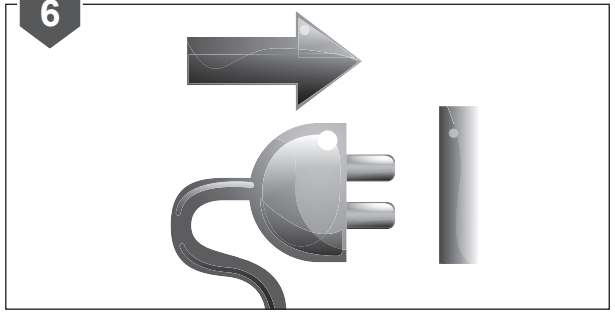
4



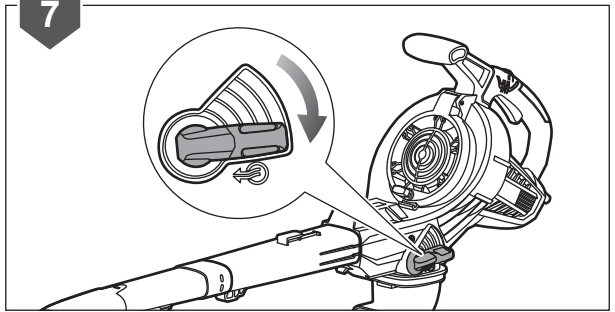
5



6

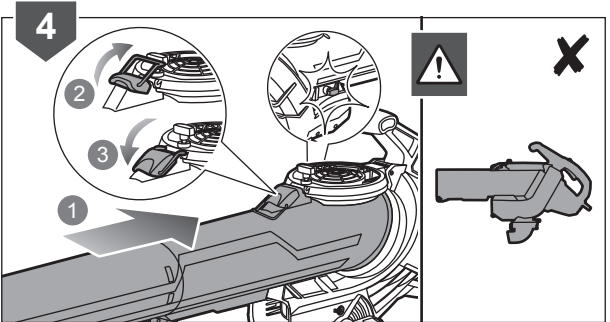
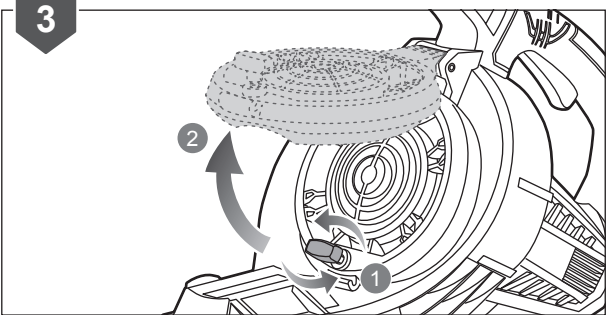
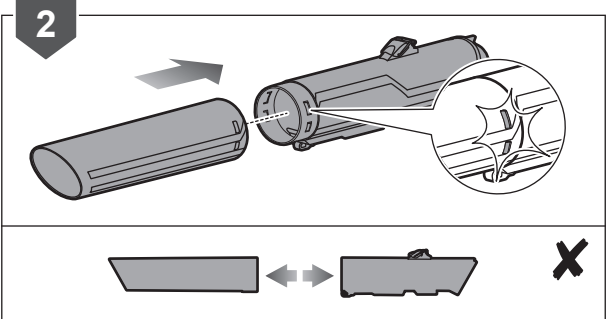
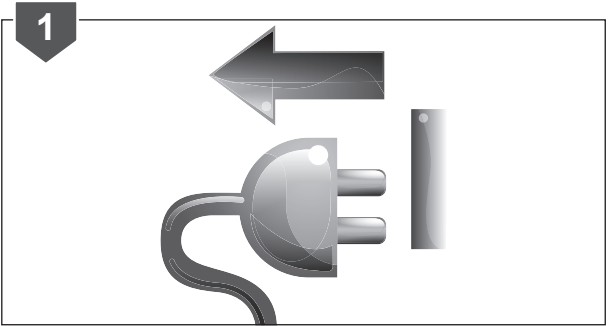
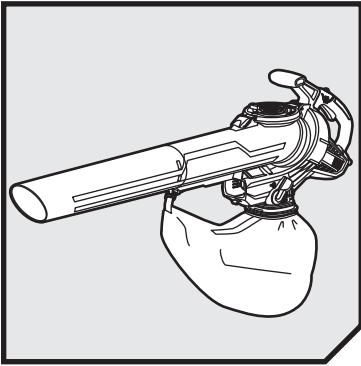


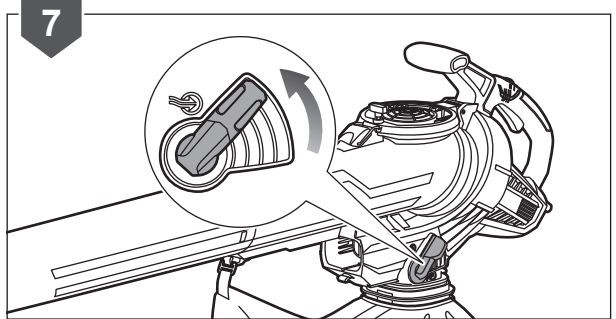
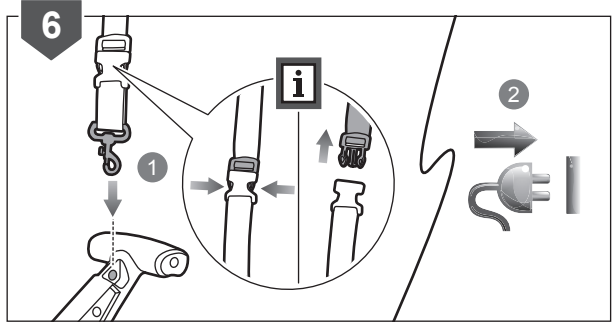
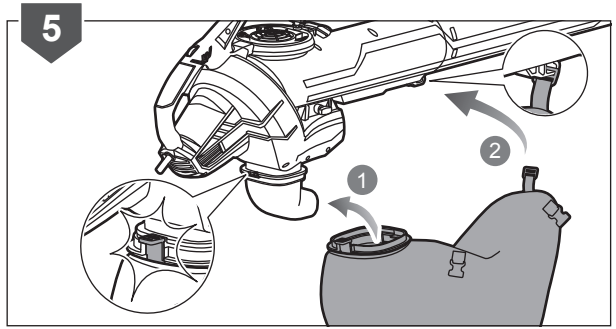
7

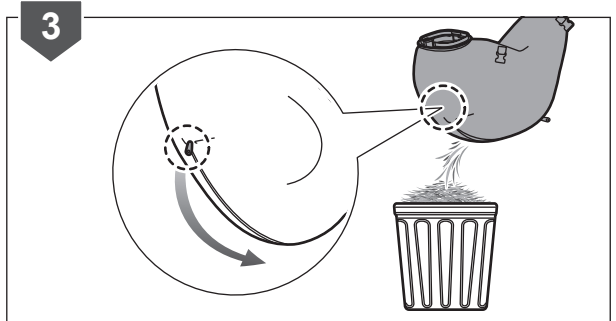
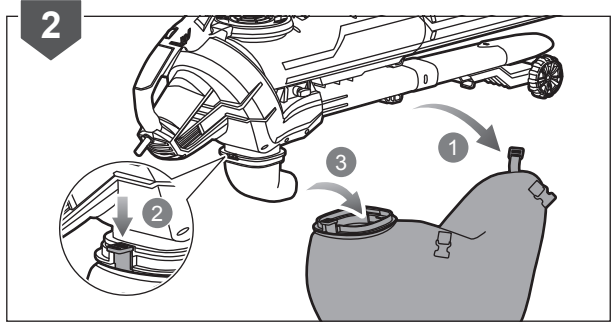
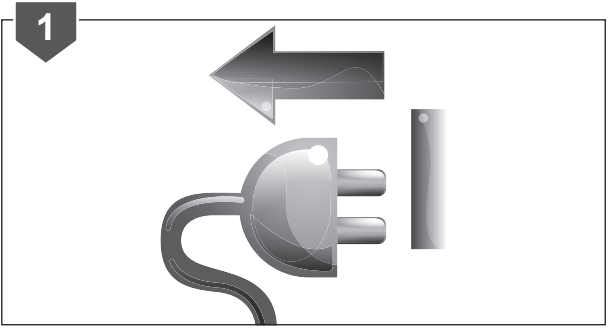
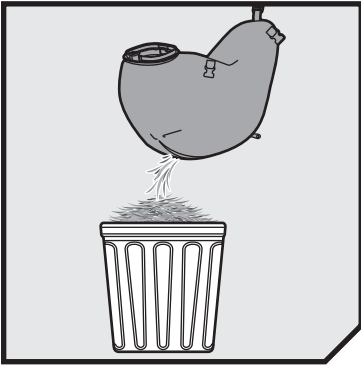


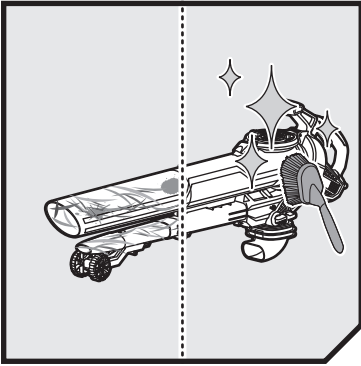
8



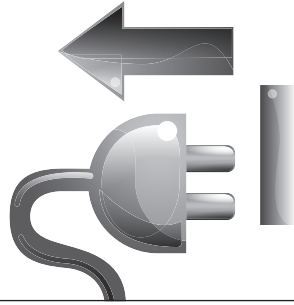




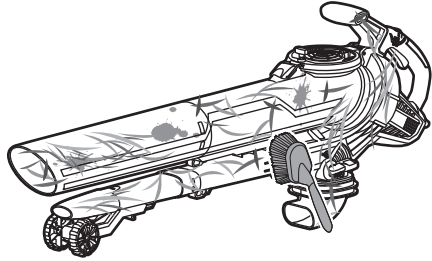




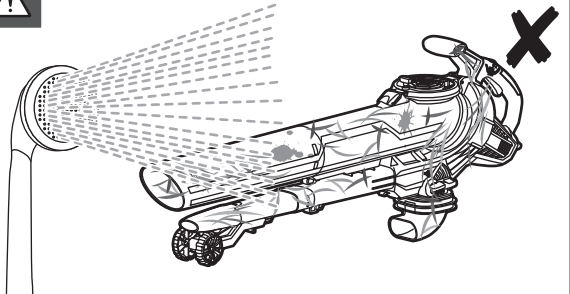
1

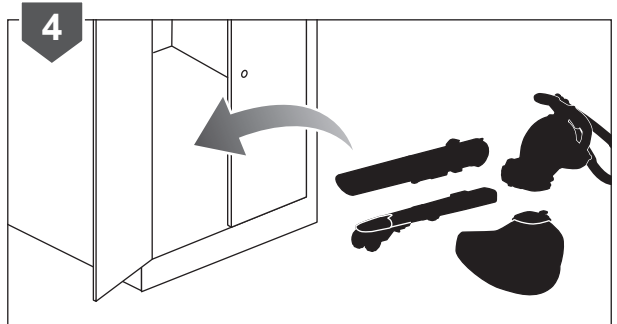
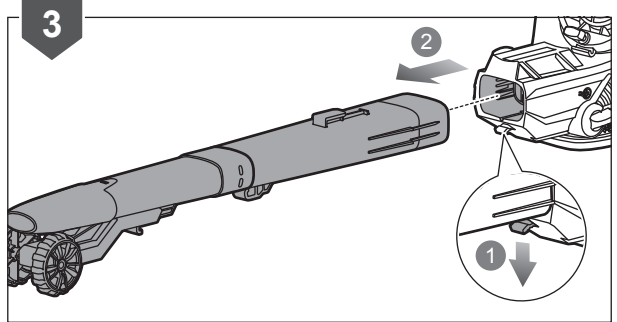
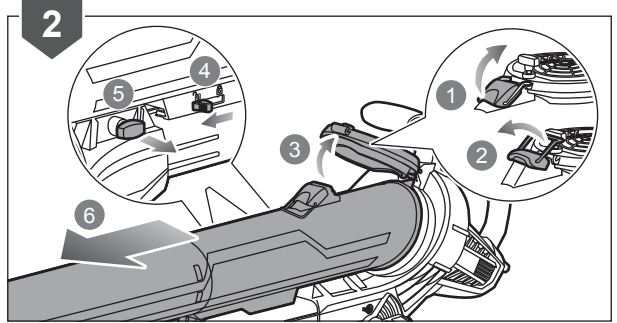
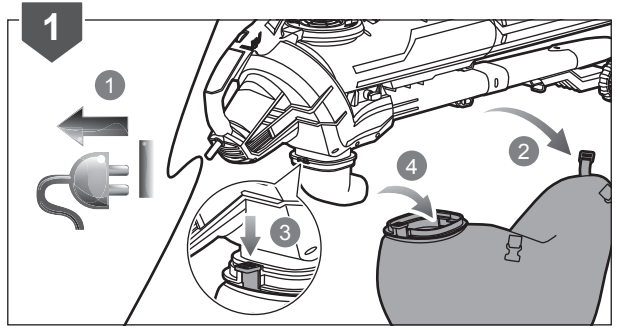
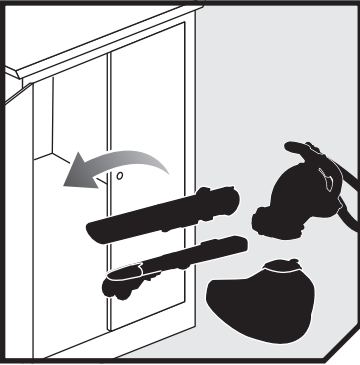


2



!





PRODUCT SPECIFICATIONS

Rated power	3000 W
Rated voltage	230V-240V ~50 Hz

Insulation	Class II
------------	----------

Air velocity	375 km/h
--------------	----------

Air volume	16 m ³ /min
------------	------------------------

Mulching ratio	16:1
----------------	------

Weight

Blower/vacuum mode	5.1 kg
--------------------	--------

Blower mode	4.1 kg
-------------	--------

Vacuum mode	4.7 kg
-------------	--------

Vibration level (in accordance with Annex BB of FprEN 60335-2-100:2013)

Rear handle	6.8 m/s ²
-------------	----------------------

Front handle	4.0 m/s ²
--------------	----------------------

Uncertainty of measurement	1.5 m/s ²
----------------------------	----------------------

A-weighted emission sound pressure level at the operator's position (in accordance with Annex CC of FprEN 60335-2-100:2013)

Blower mode	98.3 dB(A)
-------------	------------

Vacuum mode	95.3 dB(A)
-------------	------------

Uncertainty of measurement	2.5 dB
----------------------------	--------

A-weighted sound power level (in accordance with 2000/14/EC amended by 2005/88/EC)

Blower mode	106.6 dB(A)
-------------	-------------

Uncertainty of measurement	1.7 dB
----------------------------	--------

Vacuum mode	104.5 dB(A)
-------------	-------------

Uncertainty of measurement	1.4 dB
----------------------------	--------

REPLACEMENT PART

Bag	RAC359
-----	--------

GUARANTEE

In addition to any statutory rights resulting from the purchase, this product is covered by a guarantee as stated below.

1. The guarantee period is 24 months for consumers and commences on the date when the product was purchased. This date has to be documented by an invoice or other proof of purchase. The product is designed and dedicated to consumer and private use only. So there is no guarantee provided in case of professional or commercial use.
2. There is, in some cases (i.e. promotion, range of tools), a possibility to extend the warranty period over the period described above using the registration on the www.ryobitools.eu website. The eligibility of the tool is clearly displayed in stores and/or on packaging. The end user needs to register his/her newly-acquired tools online within 8 days from the date of purchase. The end user may register for the extended warranty in his country of residence if listed on the online registration form where this option is valid. Furthermore, end users must give their consent to the storage of the data which are required to enter online and they have to accept the terms and conditions. The registration confirmation receipt, which is sent out by e-mail, and the original invoice showing the date of purchase will serve as proof of the extended warranty. Your statutory rights remain unaffected.
3. The guarantee covers all defects of the product during the warranty period due to defaults in workmanship or material at the purchase date. The guarantee is limited to repair and/or replacement and does not include any other obligations including but not limited to incidental or consequential damages. The warranty is not valid if the product has been misused, used contrary to the instruction manual, or being incorrectly connected. This guarantee does not apply to:
 - any damage to the product that is the result of improper maintenance
 - any product that has been altered or modified
 - any product where original identification (trade mark, serial number) markings have been defaced, altered or removed
 - any damage caused by non-observance of the instruction manual
 - any non CE product
 - any product which has been attempted to be repaired by a non-qualified professional or without prior authorization by Technronic Industries
 - any product connected to improper power supply (amps, voltage, frequency)
 - any product used with inappropriate fuel mixture (fuel, oil, percentage of oil)
 - any damage caused by external influences (chemical, physical, shocks) or foreign substances
 - normal wear and tear of spare parts
 - inappropriate use, overloading of the tool
 - use of non-approved accessories or parts
 - carburettor after 6 months, carburettor adjustments after 6 months
 - components (parts and accessories) subject to natural wear and tear, including but not limited to bump knobs, drive belts, clutch, blades of hedge trimmers or lawn mowers, harness, cable throttle, carbon brushes, power cord, tines, felt washers, hitch pins, blower fans, blower and vacuum tubes, vacuum bag and straps, guide bars, saw chains, hoses, connector fittings, spray nozzles, wheels, spray wands, inner reels, outer spools, cutting lines, spark plugs, air filters, gas filters, mulching blades, etc.
4. For servicing, the product must be sent or presented to a RYOBI authorized service station listed for each country in the following list of service station addresses. In some countries your local RYOBI dealer undertakes to send the product to the RYOBI service organisation. When sending a product to a RYOBI service station, the product should be safely packed without any dangerous contents such as petrol, marked with sender's address and accompanied by a short description of the fault.
5. A repair/replacement under this guarantee is free of charge. It does not constitute an extension or a new start of the guarantee period. Exchanged parts or tools become our property. In some countries delivery charges or postage will have to be paid by the sender.
6. This guarantee is valid in the European Community, Switzerland, Iceland, Norway, Liechtenstein, Turkey and Russia. Outside these areas, please contact your authorized RYOBI dealer to determine if another warranty applies.

AUTHORISED SERVICE CENTRES

ACD PLANT LTD

145 Southbank Road
Coundon
Coventry, West Midlands
CV6 1FG
Phone: 02476 594348
Email: danmcgunigle@acdplant.co.uk
Web: www.acdplant.co.uk

CBS Power Tools Limited

Unit 4, V P Square
Storeys Bar Rd, Fengate
Peterborough, Cambridgeshire
PE1 5YS
Phone: 01733 343031
Email: steve@cbspowertools.co.uk
Web: www.cbspowertools.com

C D Powertools

76 Old Road
Churwell Morley, Leeds
LS27 7TH
Phone: 0113 2718494
Email: info@cdpowertools.co.uk
Web : www.cdpowertools.co.uk

C J Sinclair Limited

44 Victoria Road
St Peters
Broadstairs, Kent
CT10 2UG
Phone: 01843 869400
Email: repairs@cjsinclairltd.co.uk
Web: www.cjsinclairltd.co.uk

Powertech Ind Ltd

Unit 2C, Ellison Road
Norwood Ind, Killamarsh
Sheffield, South Yorkshire
S21 2JG
Phone: 01142 474080
Email: stores@powertech-industrial.co.uk
Web: www.powertech-industrial.co.uk

RYCKO Technical Services LTD

104 Green Lane
St Albans, Herts
AL3 6EX
Phone: 08458 678790
Email: info@ryckotechnical.com
Web: www.ryckotechnical.com

ToolTech Industrial Equipment

227 E Dunhill Road, Macosquin
Coleraine, Co Londonderry
BT514LQ
Phone: 028 70359493
Email: john@tooltech.org.uk

For an updated list of authorised service centres, visit <http://uk.ryobitools.eu/header/service-and-support/service-agents>.

DECLARATION OF CONFORMITY

Techtronic Industries GmbH
Max-Eyth-Strasse 10, D-71364 Winnenden, Germany

Herewith we declare that the product

Electric Blower/Vacuum
Brand: Ryobi
Model number: RBV3000CESV
Serial number range: 44421601000001 - 44421601999999

is in conformity with the following European Directives and harmonised standards

2006/42/EC, 2004/108/EC, 2000/14/EC, 2005/88/EC, 2011/65/EU, EN 60335-1:2012, IEC 60335-2-100:2002,
EN ISO 3744:2010, EN 55014-1:2006+A1:2009+A2:2011, EN 55014-2:1997+A1:2001+A2:2008, EN
61000-3-2:2006+A1:2009+A2:2009, EN 61000-3-3:2013, EN 62233:2008, EN 50581:2012

Measured sound power level 106.6 dB(A)

Guaranteed sound power level 108 dB(A)

Conformity assessment method to Annex V Directive 2000/14/EC amended by 2005/88/EC



Andrew John Eyre (BEng, CEng, MIET)
Vice President, Regulatory & Safety
Winnenden, Jul. 15, 2014



Authorised to compile the technical file:
Alexander Krug, Managing Director
Techtronic Industries GmbH
Max-Eyth-Straße 10, 71364 Winnenden, Germany

RYOBI®