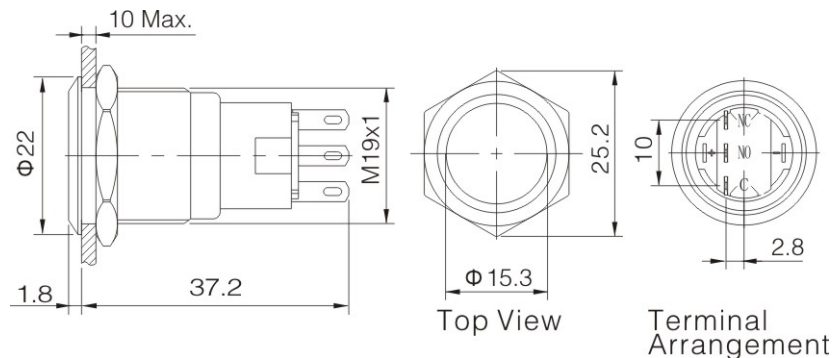


DATASHEET

Product Description: Push Button Switch
 Φ 19mm, 1NO1NC, Momentary.
 Item no.98008C18

Version 6/14



Specification	LAS1-AGQ-11/S
The Front Shape	Flat Round
Terminal Type	Pin Terminal(2.8x0.5mm)
Switching	C(single-break fast-motion changeover contact)
Switch Rating	3A / 250VAC
Contact Resistance	$\leq 50m \Omega$
Insulation Resistance	$\geq 1000M \Omega$
Dielectric Intensity	2000VAC
Operating and storage temperature.....	-20°C ~ +55°C
Operating and storage humidity.....	45 ~ 85% RH
Mechanical Life	1,000,000 cycles
Electrical Life	50,000 cycles
Panel Thickness	1~10mm
Operation Pressure	About 3~5N
Operation Travel	About 3.1mm
Contact Material	Silver Alloy
Button Material	Stainless Steel
Crust Material	Stainless Steel