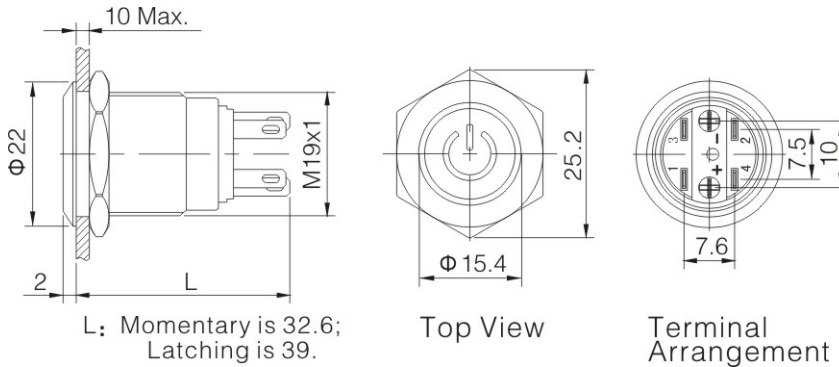


# DATASHEET

Product Description: Push Button Switch W/Standby Symbol,  
Green 12V for LED, 1NO1NC, Momentary.  
Item no.98008C2

Version 6/14



|  |   |
|--|---|
| Specification .....                    | LAS1-GQF-11/G/12V W/Standby Symbol              |
| The Front Shape .....                  | Flat Round                                      |
| Terminal Type .....                    | Pin Terminal(2.8x0.5mm)                         |
| Switching .....                        | Za(double-break fast-motion changeover contact) |
| Switch Rating .....                    | 3A / 250VAC                                     |
| Contact Resistance .....               | ≤50m Ω  |
| Insulation Resistance .....            | ≥1000M Ω  |
| Dielectric Intensity .....             | 2000VAC   |
| Operating and storage temperature..... | -20°C ~ +55°C                                   |
| Operating and storage humidity.....    | 45 ~ 85% RH                                     |
| Mechanical Life .....                  | 1,000,000 cycles                                |
| Electrical Life .....                  | 50,000 cycles                                   |
| Panel Thickness .....                  | 1~10mm  |
| Operation Pressure .....               | About 4N  |
| Operation Travel .....                 | About 2.5mm                                     |
| Contact Material .....                 | Silver Alloy                                    |
| Button Material .....                  | Stainless Steel                                 |
| Crust Material .....                   | Stainless Steel                                 |