

Datasheet

Item no. 1272979/ 1272981/ 1272983/ 1272985

V1_0717_01_en

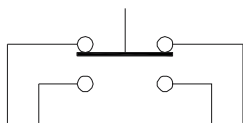
TECHNICAL DESCRIPTION

Lamp Ratings

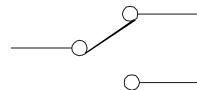
Lamp Type	LED		
Rated Voltage	AC/DC6V	AC/DC12V	AC/DC24V
	AC/DC110V		AC/DC220V
Colours	R	G	Y O B W
Life	About 40,000 hours		

Note: There are protective resistor in the lamp, special voltage rate can be made to order.

Switching Operation



NO.2



NO.3

Soldering information

- ⦿ Handiwork solding: Soldering iron 30W or under at 230°C for 3 sec max.

Datasheet

Item no. 1272979/ 1272981/ 1272983/ 1272985

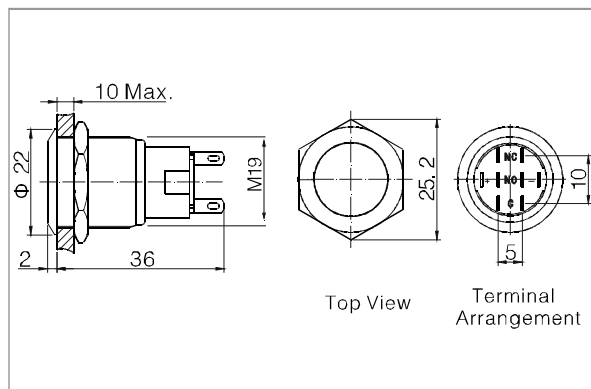
V1_0717_01_en

METAL PUSHBUTTONS

PUSHBUTTONS



- ⊙ Φ 19mm diameter
- ⊙ 5A, 250VAC
- ⊙ 1NO1NC/2NO2NC
- ⊙ The Front Shape: Flat Round
- ⊙ The crust material: Stainless Steel
- ⊙ IP Degree : IP65



1272979 : 19mm Dia.Flat head, Non-illuminated, Momentary, 1NO1NC, Stainless steel, Pin terminal

1272981 : 19mm Dia.Flat head, Non-illuminated, Latching, 1NO1NC, Stainless steel, Pin terminal

1272983 : 19mm Dia.Flat head, Non-illuminated, Momentary, 2NO2NC, Stainless steel, Pin terminal

1272985 : 19mm Dia.Flat head, Non-illuminated, Latching, 2NO2NC, Stainless steel, Pin terminal

Item no.	1272979	1272981	1272983	1272985
The Front Shape	Flat Round			
Terminations	Soldering(Pin Terminal)/2.8mm tabs			
Switching	NO.3			
Max. Switch Rating	5A/250VAC			
Contact Resistance	$\leq 50m\Omega$			
Insulation Resistance	$\geq 1000M\Omega$			
Dielectric Strength	2000VAC			
Operating Temp.	- 20°C ~ + 70°C			
Mechanical life	1,000,000 cycles			
Electrical life	50,000 cycles			
Contact material	Silver Alloy			
Panel Thickness	1 ~ 10mm			
Torque	5 ~ 14Nm			
Operation Pressure	5.5N			
IP Degree	IP65			
Material	Button	Stainless Steel		
	Body	Stainless Steel		
	Base	PBT		
RoHS	Yes			

This is a publication by Conrad Electronic SE, Klaus-Conrad-Str. 1, D-92240 Hirschau (www.conrad.com).

All rights including translation reserved. Reproduction by any method, e.g. photocopy, microfilming, or the capture in electronic data processing systems require the prior written approval by the editor. Reprinting, also in part, is prohibited. This publication represents the technical status at the time of printing.

© Copyright 2017 by Conrad Electronic SE.