

Datasheet

Item no. 701894/ 701881/ 701869/ 1272986

V1_0717_01_en

TECHNICAL DESCRIPTION

Lamp Ratings

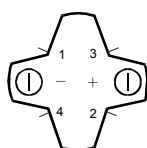
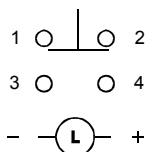
Lamp Type	LED		
Rated Voltage	AC/DC3.5V	AC/DC6V	AC/DC12V
	AC/DC24V	AC/DC110V	AC/DC220V
Colours	R G Y O B W		
Life	About 40,000 hours		

Note: There are protective resistor in the lamp, special voltage rate can be made to order.

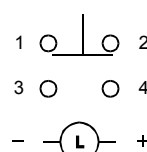
Switching Operation



NO.1



NO.2



Soldering information

⦿ Handiwork soldering: Soldering iron 30W or under at 230°C for 3 sec max.

Datasheet

Item no. 701894/ 701881/ 701869/ 1272986

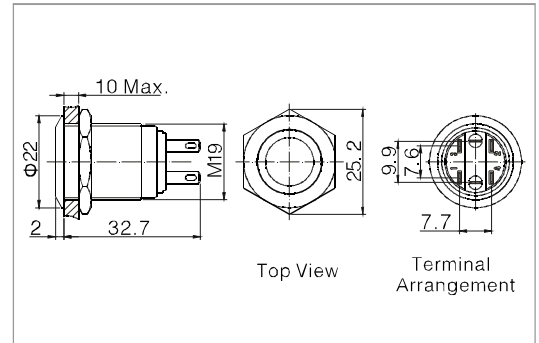
V1_0717_01_en

ANTI-VANDAL PUSHBUTTONS

RING ILLUMINATED PUSHBUTTON



- ⊙ Φ 19mm diameter
- ⊙ 5A, 250VAC
- ⊙ 1NO1NC
- ⊙ The crust material: Stainless Steel
- ⊙ Ring Illuminated
- ⊙ IP Degree: IP65



701894 : Vandal proof push button, dia.19mm, 5A/250VAC,1NO1NC, Momentary, Stainless steel crust, Pin terminal, Flat actuator, Ring illuminated, Blue 12V LED

701881 : Vandal proof push button, dia.19mm, 5A/250VAC,1NO1NC, Momentary, Stainless steel crust, Pin terminal, Flat actuator, Ring illuminated, Green 12V LED

701869 : Vandal proof push button, dia.19mm,5A/250VAC, 1NO1NC, Momentary, Stainless steel crust, Pin terminal, Flat actuator, Ring illuminated, Red 12V LED

Specification	701894	701881	701869
The Front Shape	Flat Round		
Terminations	Soldering(Pin Terminal)/2.8mm tabs		
Switching	NO.1		
Max. Switch Rating	5A/250VAC		
Contact Resistance	$\leq 50m\Omega$		
Insulation Resistance	$\geq 1000M\Omega$		
Dielectric Strength	2000VAC		
Operating Temp.	- 20°C ~ + 70°C		
Mechanical life	1,000,000 cycles		
Electrical life	50,000 cycles		
Contact material	Silver Alloy		
Panel Thickness	1 ~ 10mm		
Torque	5 ~ 14Nm		
Operation Pressure	5.5N		
IP Degree	IP65		
Material	Button	Stainless Steel	
	Body	Stainless Steel	
	Base	PBT	
RoHS	Yes		
LED Spec.	Type	Ring Illuminated(LED)	
	Rated Voltage	3.5V / 6V / 12V / 24V / 110V / 220V	
	Color	R G Y O B W	
	Life	40,000 hours	

Datasheet

Item no. 701894/ 701881/ 701869/ 1272986

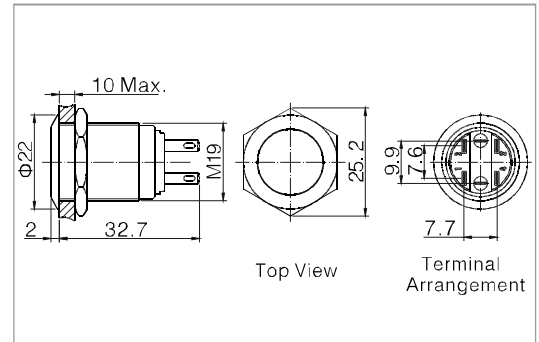
V1_0717_01_en

ANTI-VANDAL PUSHBUTTONS

PUSHBUTTONS



- ⊙ Φ 19mm diameter
- ⊙ 5A, 250VAC
- ⊙ 1NO1NC
- ⊙ The Front Shape: Flat Round
- ⊙ The crust material: Stainless Steel
- ⊙ IP Degree: IP65



1272986 : 19mm Dia.Flat head,Non-illuminated, Momentary,1NO1NC,Stainless steel,Pin terminal,IP65

Specification	1272986	
The Front Shape	Flat Round	
Terminations	Soldering(Pin Terminal)/2.8mm tabs	
Switching	NO.1	
Max. Switch Rating	5A/250VAC	
Contact Resistance	$\leq 50m\Omega$	
Insulation Resistance	$\geq 1000M\Omega$	
Dielectric Strength	2000VAC	
Operating Temp.	- 20°C ~ + 70°C	
Mechanical life	1,000,000 cycles	
Electrical life	50,000 cycles	
Contact material	Silver Alloy	
Panel Thickness	1 ~ 10mm	
Torque	5 ~ 14Nm	
Operation Pressure	5.5N	
IP Degree	IP65	
Material	Button	Stainless Steel
	Body	Stainless Steel
	Base	PBT
RoHS	Yes	

This is a publication by Conrad Electronic SE, Klaus-Conrad-Str. 1, D-92240 Hirschau (www.conrad.com).

All rights including translation reserved. Reproduction by any method, e.g. photocopy, microfilming, or the capture in electronic data processing systems require the prior written approval by the editor. Reprinting, also in part, is prohibited. This publication represents the technical status at the time of printing.

© Copyright 2017 by Conrad Electronic SE.