

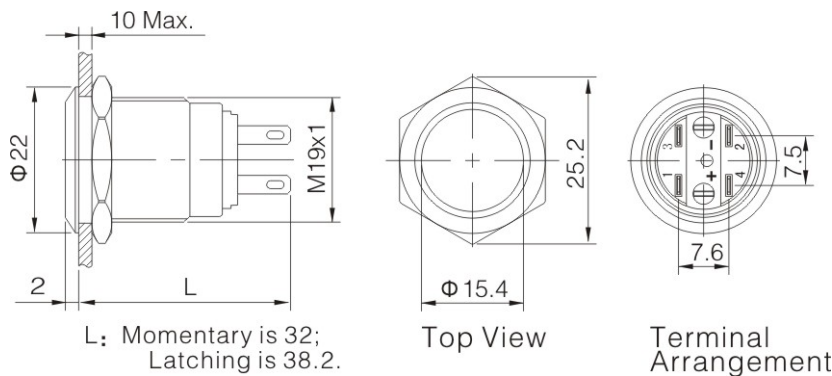
# DATASHEET

Product Description: Push Button Switch

Φ 19mm, 1NO1NC, Momentary.

Item no.98008C22

Version 6/14



Specification .....	LAS1-GQ-11/S
The Front Shape .....	Flat Round
Terminal Type .....	Pin Terminal(2.8×0.5mm)
Switching .....	Za(double-break fast-motion changeover contact)
Switch Rating .....	3A / 250VAC
Contact Resistance .....	≤50m Ω
Insulation Resistance .....	≥1000M Ω
Dielectric Intensity .....	2000VAC
Operating and storage temperature.....	-20℃ ~ +55℃
Operating and storage humidity.....	45 ~ 85% RH
Mechanical Life .....	1,000,000 cycles
Electrical Life .....	50,000 cycles
Panel Thickness .....	1~10mm
Operation Pressure .....	About 4N
Operation Travel .....	About 2.5mm
Contact Material .....	Silver Alloy
Button Material .....	Stainless Steel
Crust Material .....	Stainless Steel