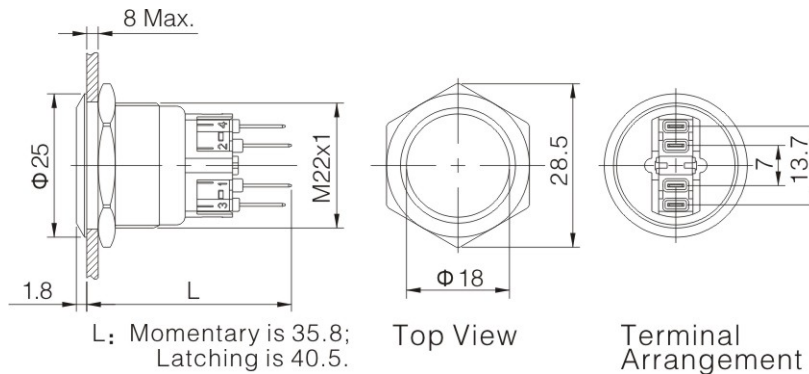


# DATASHEET

Product Description: Push Button Switch  
 $\Phi 22\text{mm}$ , 1NO1NC, Momentary.  
 Item no.98008C23

Version 6/14



Specification .....	GQ22-11/S
The Front Shape .....	Flat Round
Terminal Type .....	Pin Terminal(2.8x0.5mm)
Switching .....	Za(double-break fast-motion changeover contact)
Switch Rating .....	3A / 250VAC
Contact Resistance .....	$\leq 50\text{m } \Omega$
Insulation Resistance .....	$\geq 1000\text{M } \Omega$
Dielectric Intensity .....	2000VAC
Operating and storage temperature.....	-20°C ~ +55°C
Operating and storage humidity.....	45 ~ 85% RH
Mechanical Life .....	1,000,000 cycles
Electrical Life .....	50,000 cycles
Panel Thickness .....	1~8mm
Operation Pressure .....	About 4N
Operation Travel .....	About 2.8mm
Contact Material .....	Silver Alloy
Button Material .....	Stainless Steel
Crust Material .....	Stainless Steel