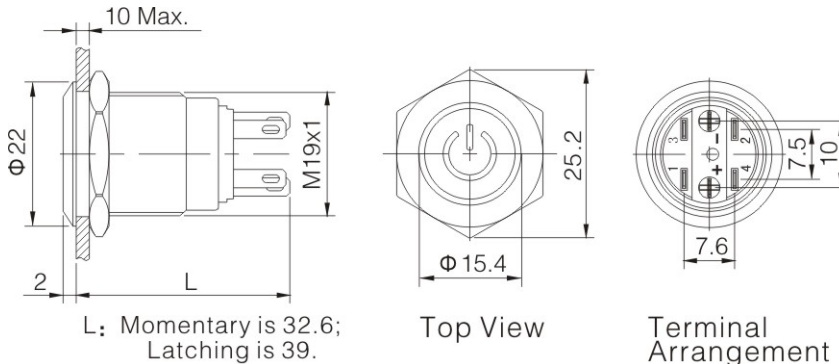


DATASHEET

Product Description: Push Button Switch W/Standby Symbol,
Blue 12V for LED,1NO1NC,Momentary.
Item no.98008C3

Version 6/14



Specification	LAS1-GQF-11/B/12V W/Standby Symbol
The Front Shape	Flat Round
Terminal Type	Pin Terminal(2.8×0.5mm)
Switching	Za(double-break fast-motion changeover contact)
Switch Rating	3A / 250VAC
Contact Resistance	≤50m Ω
Insulation Resistance	≥1000M Ω
Dielectric Intensity	2000VAC
Operating and storage temperature.....	-20℃ ~ +55℃
Operating and storage humidity.....	45 ~ 85% RH
Mechanical Life	1,000,000 cycles
Electrical Life	50,000 cycles
Panel Thickness	1~10mm
Operation Pressure	About 4N
Operation Travel	About 2.5mm
Contact Material	Silver Alloy
Button Material	Stainless Steel
Crust Material	Stainless Steel