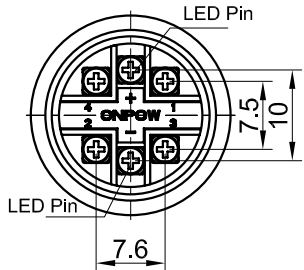
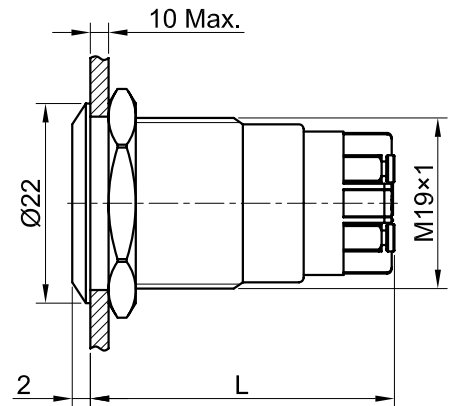


1 2 3 4 5 6 7

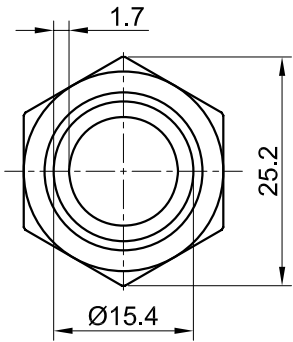
REV. 更改	DESCRIPTION 说明	ENG. 修改人	APPROVE 审核
------------	-------------------	-------------	---------------



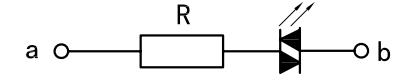
**Contact Composition**  
( 1,2 are normal closed(NC); 3,4 are normal opened(NO). )



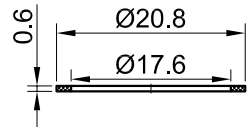
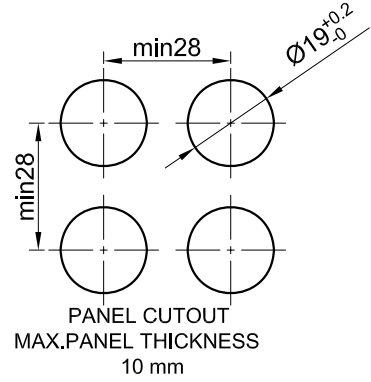
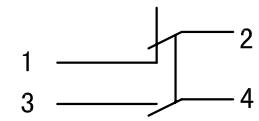
L: Momentary is 35 Max;  
Latching is 41 Max.



Diagram



Switching Operation



Seal Ring

Part Number: LAS1GQ-11■E / L / △ / ▲ / S

"■"	Operation mode	"△"	Cap or Lamp Color	"▲"	Lamp voltage
No Letter	Momentary	R	Red	No Letter	Non-illuminated
Z	Latching type	G	Green	6V	AC/DC 6V
		Y	Yellow	12V	AC/DC 12V
		O	Orange	24V	AC/DC 24V
		B	Blue	110V	AC/DC 110V
		W	White	220V	AC/DC 220V

**SPECIFICATIONS:**

- 1.Max.Switch Rating: Ith:5A Ui: 250VAC.
- 2.Rating: 2A 220VAC.
- 3.Electrical Life: ≥50,000cycles.
- 4.Contact Resistance: ≤50mΩ.
- 5.Insulation Resistance: ≥1,000MΩ.
- 6.Dielectric Strength: 2,000VAC.
- 7.Operating Temperature: -25℃ ~ +55℃ (No Freezing).
- 8.IP Class: IP65 (Momentary can be made IP67),IK09.
- 9.Operating Force: About 4N(IP65)  
About 5N(IP67).
- 10.Torque: 0.8Nm max.applied to nut.
- 11.Ring illuminated.
- 12.Contact Configuration: 1NO1NC.

**MATERIALS:**

- 1.Contact: Silver alloy.
- 2.Button: Stainless Steel.
- 3.Body: Stainless Steel.
- 4.Base: PA.

THESE DRAWINGS AND SPECIFICATIONS ARE THE PROPERTY OF ONPOW PUSH BUTTON MANUFACTURE CO.,LTD. AND SHALL NOT BE REPRODUCED COPIED OR USED IN ANY MANNER WITHOUT THE PRIOR WRITTEN CONSENT OF ONPOW PUSH BUTTON MANUFACTURE CO.,LTD.

中国·红波按钮制造有限公司  
ONPOW PUSH BUTTON MANUFACTURE CO.,LTD.

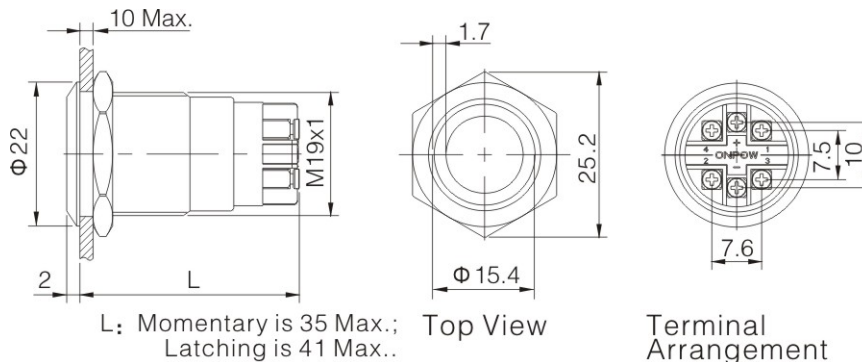
USED 用途	APPD 审核
FINISH 处理	CHKD 校对
DIMENSIONS	TOLERANCE
0.00 TO 30.00mm	±0.20mm
30.01 TO 80.00mm	±0.25mm
80.01 TO 150.00mm	±0.30mm
150.01 ↑	±0.40mm
SCALE 比例 1.2 / 1	UNIT 单位 mm
TITLE 名称	DR. 制图
Anti-vandal metal push button	
DWG NO. 图号	SIZE 图纸
LAS1GQ - 11■E/L/△/▲/S A4	
FILE NAME 档案名称	SHEET 张
LAS1GQEL001.DWG	1 / 1
REV. 更改	1

1 2 3 4 5 6 7

# DATASHEET

Product Description: Push Button Switch, Ring illuminated Blue  
 $\Phi$  19mm, 12V, 1NO1NC, Momentary.  
 Item no.98008C31

Version 6/14



Specification .....	LAS1-GQ-11E/L/B/12V/S
The Front Shape .....	Flat Round
Terminal Type .....	Screw Terminal
Switching .....	Za(double-break fast-motion changeover contact)
Switch Rating .....	3A / 250VAC
Contact Resistance .....	$\leq 50m \Omega$
Insulation Resistance .....	$\geq 1000M \Omega$
Dielectric Intensity .....	2000VAC
Operating and storage temperature.....	-20°C ~ +55°C
Operating and storage humidity.....	45 ~ 85% RH
Mechanical Life .....	1,000,000 cycles
Electrical Life .....	50,000 cycles
Panel Thickness .....	1~10mm
Operation Pressure .....	About 4N
Operation Travel .....	About 2.5mm
Contact Material .....	Silver Alloy
Button Material .....	Stainless Steel
Crust Material .....	Stainless Steel