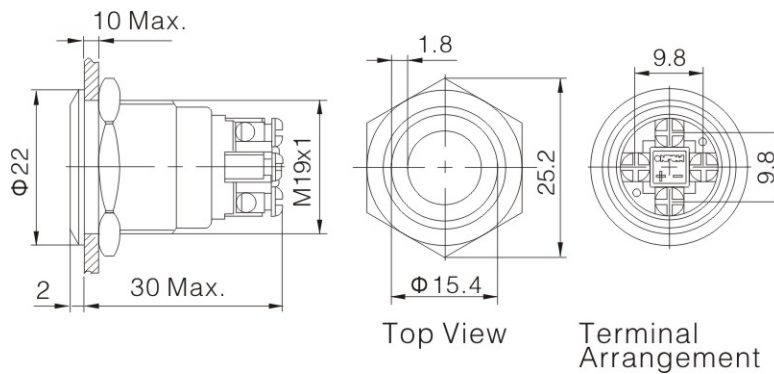


# Datasheet

Item no.1273002

V1\_0717\_01\_en

Product Description: Push Button Switch, Ring illuminated,  
 $\Phi$  19mm, Red 12V for LED, 1NO, Momentary.



The Front Shape .....	Flat Round
Terminal Type .....	Screw Terminal
Switching .....	X(double-break slow-motion contact)
Switch Rating .....	2A / 48VDC
Contact Resistance .....	$\leq 50m \Omega$
Insulation Resistance .....	$\geq 1000M \Omega$
Dielectric Intensity .....	2000VAC
Operating and storage temperature.....	-20°C ~ +55°C
Operating and storage humidity.....	45 ~ 85% RH
Mechanical Life .....	1,000,000 cycles
Electrical Life .....	50,000 cycles
Panel Thickness .....	1~10mm
Operation Pressure .....	About 4N
Operation Travel .....	About 2.5mm
Contact Material .....	Silver Alloy
Button Material .....	Stainless Steel
Crust Material .....	Stainless Steel

This is a publication by Conrad Electronic SE, Klaus-Conrad-Str. 1, D-92240 Hirschau (www.conrad.com).  
 All rights including translation reserved. Reproduction by any method, e.g. photocopy, microfilming, or the capture in electronic data processing systems require the prior written approval by the editor. Reprinting, also in part, is prohibited. This publication represents the technical status at the time of printing.

© Copyright 2017 by Conrad Electronic SE.