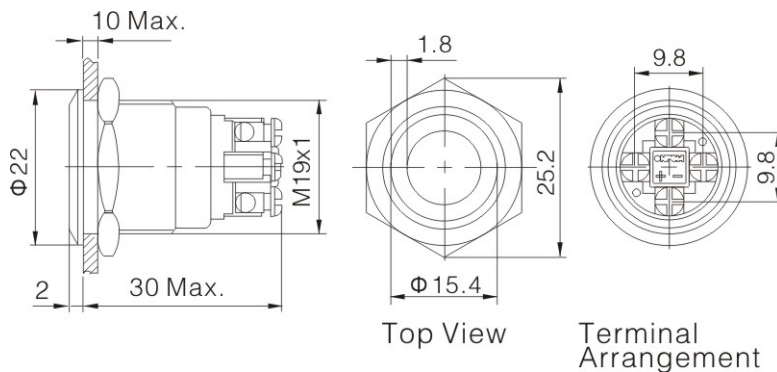


DATASHEET

Product Description: Push Button Switch, Ring illuminated,
 Φ 19mm, Green 12V for LED, 1NO, Momentary.
 BN no. 1273003

Version 3/15



Specification	GQ19F-10E/G/12V/S
The Front Shape	Flat Round
Terminal Type	Screw Terminal
Switching	X(double-break slow-motion contact)
Switch Rating	2A / 48VDC
Contact Resistance	$\leq 50m \Omega$
Insulation Resistance	$\geq 1000M \Omega$
Dielectric Intensity	2000VAC
Operating and storage temperature.....	-20°C ~ +55°C
Operating and storage humidity.....	45 ~ 85% RH
Mechanical Life	1,000,000 cycles
Electrical Life	50,000 cycles
Panel Thickness	1~10mm
Operation Pressure	About 4N
Operation Travel	About 2.5mm
Contact Material	Silver Alloy
Button Material	Stainless Steel
Crust Material	Stainless Steel