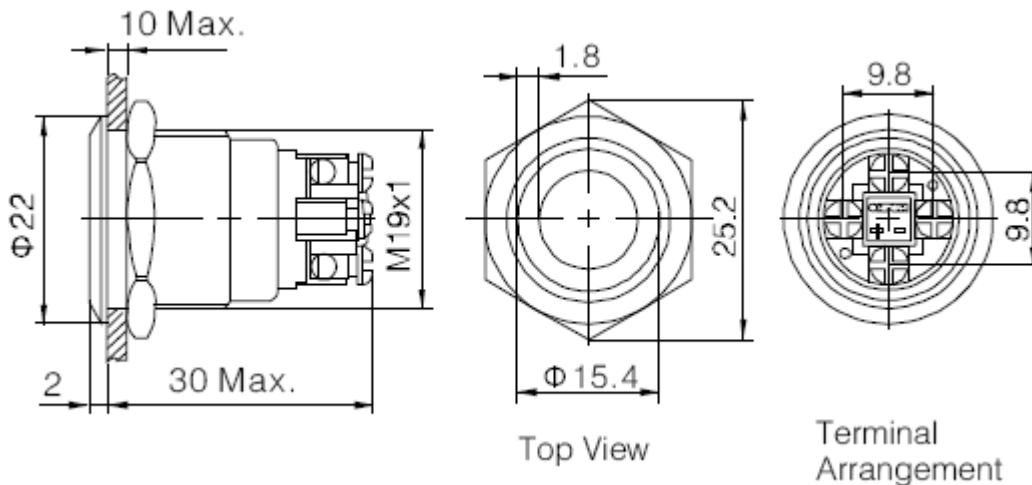


Φ19 mm, GQ19F-10E/B/12V/S Vandal proof push button



10MAX: means the panel thickness, the max thickness for the panel no more than 10mm.

Mounting diameter	19 mm
Switch operation	Momentary
Switch contact	1NO
LED colour	Blue
LED voltage	12V
LED current	About 11mA
Body material	Stainless steel
Button material	Stainless steel
Operating and storage temperature	-20 to +55 °C
Operating and storage humidity	45 to 85 % RH
Panel thickness	1 ~ 6 mm
Electrical life	50,000 times
Mechanical life	1,000,000 times