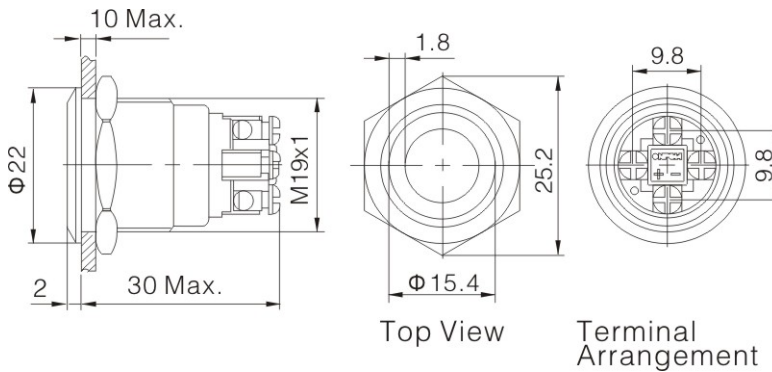


# DATASHEET

Product Description: Push Button Switch, Ring illuminated,  
 $\Phi$  19mm, White 12V for LED, 1NO, Momentary.  
 BN no. 1273006

Version 3/15



Specification .....	GQ19F-10E/W/12V/S
The Front Shape .....	Flat Round
Terminal Type .....	Screw Terminal
Switching .....	X(double-break slow-motion contact)
Switch Rating .....	2A/48VDC
Contact Resistance .....	$\leq 50\text{m } \Omega$
Insulation Resistance .....	$\geq 1000\text{M } \Omega$
Dielectric Intensity .....	2000VAC
Operating and storage temperature.....	-20°C ~ +55°C
Operating and storage humidity.....	45 ~ 85% RH
Mechanical Life .....	1,000,000 cycles
Electrical Life .....	50,000 cycles
Panel Thickness .....	1~10mm
Operation Pressure .....	About 4N
Operation Travel .....	About 2.5mm
Contact Material .....	Silver Alloy
Button Material .....	Stainless Steel
Crust Material .....	Stainless Steel