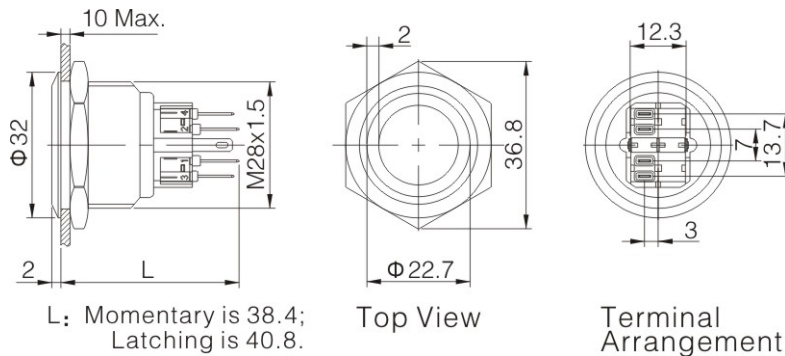


# DATASHEET

Product Description: Push Button Switch, Ring illuminated  
 $\Phi$ 28mm, Red 12V For Led, 1NO1NC, Momentary.  
 Item no.98008C5

Version 6/14



Specification .....	GQ28-11E/R/12V
The Front Shape .....	Flat Round
Terminal Type .....	Pin Terminal(2.8×0.5mm)
Switching .....	Za(double-break fast-motion changeover contact)
Switch Rating .....	3A / 250VAC
Contact Resistance .....	$\leq 50m \Omega$
Insulation Resistance .....	$\geq 1000M \Omega$
Dielectric Intensity .....	2000VAC
Operating and storage temperature.....	-20°C ~ +55°C
Operating and storage humidity.....	45 ~ 85% RH
Mechanical Life .....	1,000,000 cycles
Electrical Life .....	50,000 cycles
Panel Thickness .....	1~10mm
Operation Pressure .....	About 5.5~7N
Operation Travel .....	About 2.8mm
Contact Material .....	Silver Alloy
Button Material .....	Stainless Steel
Crust Material .....	Stainless Steel